

# RUSTIQUE FIRE CLAY CERAMIC INSET OR UNDERMOUNT SINK

CRUB5340WH/



Size: 598 x 462 mm

Fitted as either an inset or undermount sink, the Rustique kitchen sink collection provides a real focal point in the kitchen and contrasts excellently to all colours and features.

- Waste kit included
- 10 year warranty

**RANGEmaster**  
sinks & taps

Material	Fire clay Ceramic
Material Gauge	-
Material Finish Bowl	-
Material Finish Drainer	-
Drainer Position	
Overall Length (mm)	598
Overall Width (mm)	462
Main Bowl Length (mm)	536
Main Bowl Width (mm)	401
Main Bowl Depth (mm)	195
Second Bowl Length (mm)	-
Second Bowl Width (mm)	-
Second Bowl Depth (mm)	-
Tap hole Size (mm)	-
Waste Size (mm)	1 x 89
Waste Kit	Included with sink (1 x 89mm BSW & overflow kit)
Min. Base Unit (mm)	650
Cutout Size Length (mm)	532/ 575
Cutout Size Width (mm)	392 / 440
Warranty Sinks (years)	25
Product Code	CRUB5340WH/
Barcode	5015834050508

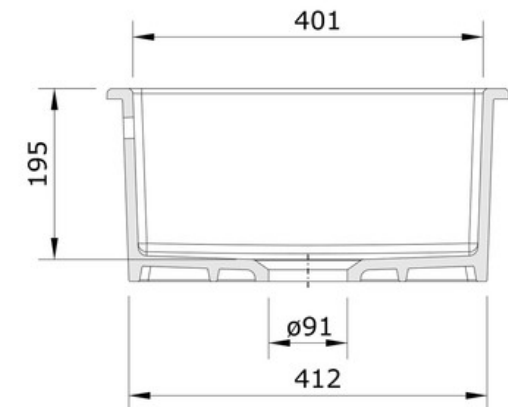
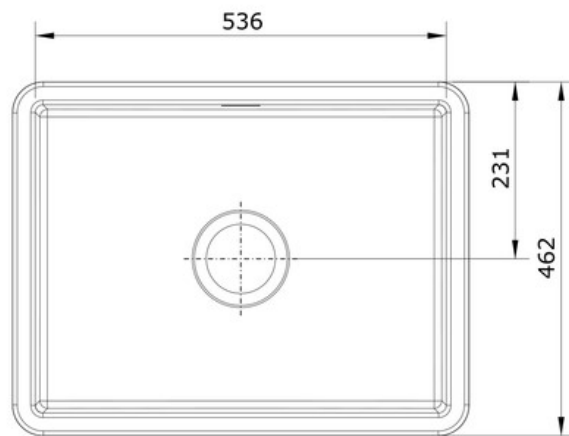
Date of download: August 29, 2022

AGA Rangemaster continuously seeks improvements in specification, design and production of products and thus, alterations take place periodically. Whilst every effort is made to produce up-to-date resources, the information included here is intended as a guide. Always refer to the product's installation instructions when fitting, installation work should be completed a professional tradesman.

# RUSTIQUE FIRE CLAY CERAMIC INSET OR UNDERMOUNT SINK

CRUB5340WH/

Technical Drawing



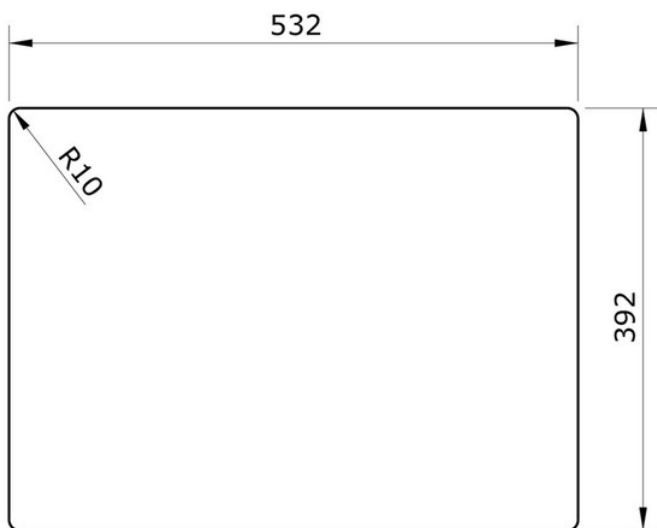
*NB: Due to manufacturing processes this sink may have a +/- 3mm tolerance on the measurements.*

AGA Rangemaster continuously seeks improvements in specification, design and production of products and thus, alterations take place periodically. Whilst every effort is made to produce up-to date resources, the information included here is intended as a guide. Always refer to the product's installation instructions when fitting, installation work should be completed a professional tradesman.

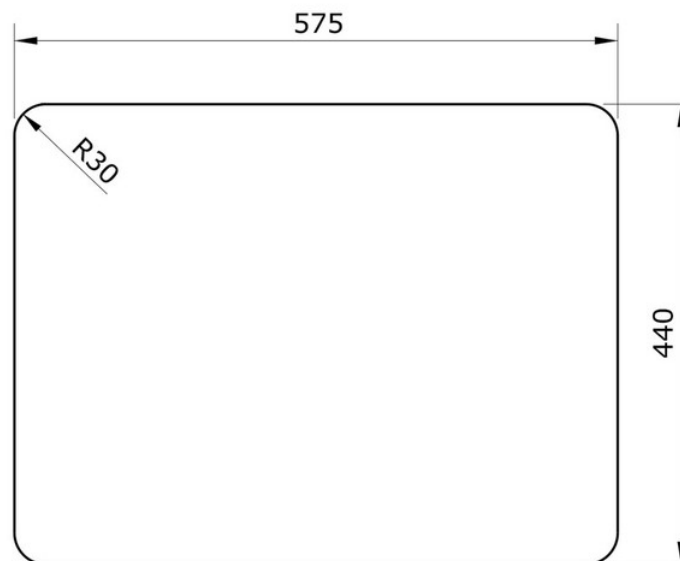
# RUSTIQUE FIRE CLAY CERAMIC INSET OR UNDERMOUNT SINK CRUB5340WH/

Cut Out Template  
Dimensions in mm. Not to scale.

## UNDERMOUNT INSTALLATION



## INSET INSTALLATION



Date of download: August 29, 2022

AGA Rangemaster continuously seeks improvements in specification, design and production of products and thus, alterations take place periodically. Whilst every effort is made to produce up-to date resources, the information included here is intended as a guide. Always refer to the product's installation instructions when fitting, installation work should be completed a professional tradesman.