

# AQUAFLOW 1 SINGLE LEVER TAP CHROME



Choose the Aquaflow single lever kitchen tap for effortless control. Featuring a flow straightener designed to increase water flow this tap is ideal for households with low water pressure. Aquaflow also benefits from a ceramic disc cartridge which mixes hot and cold water supplies to provide a precise flow of water at a desired temperature output, whilst always ensuring a water-tight seal is maintained when the tap is not in use.

- Single lever handle design
- Suitable for all pressure water systems

**RANGEmaster**  
sinks & taps

Overall Height (mm)	163
Spout Reach (mm)	230
Spout Height (mm)	140
Spout Rotation Range	360°
Handle Type	Single Lever
Colour	Chrome
Bar Pressure Suitability	All Pressure
Min. Bar Pressure	0.20
Max. Bar Pressure	5.50
Mixed Flow Rate at 3 Bar Pressure (l/min)	23.44
Flow Type	Single Flow
Recommended Hot Water Temperature	46°C
Maximum Hot Water Temperature	70°C
Handle Control	Half Turn
Centre Distance (mm)	-
Cartridge Type	Ceramic Disc Cartridge
Aerator Type	Flow Straightener
Inlet Pipes	Copper Rigid Tubes
Anti-Splash Spout	No
Pull Out Spray	No
WRAS Approved	Yes
Product Code	TAF1CM/
Barcode	5015834013312

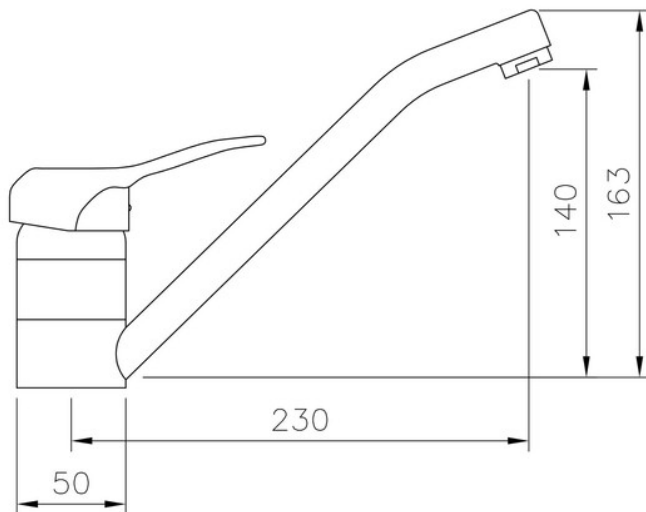
Date of download: August 31, 2022

AGA Rangemaster continuously seeks improvements in specification, design and production of products and thus, alterations take place periodically. Whilst every effort is made to produce up to date resources, the information included here is intended as a guide. Always refer to the installation instructions when fitting, installation work should be completed by a professional tradesman.

# AQUAFLOW 1 SINGLE LEVER TAP CHROME

TAF1CM/

## Technical Drawing



Date of download: August 31, 2022

AGA Rangemaster continuously seeks improvements in specification, design and production of products and thus, alterations take place periodically. Whilst every effort is made to produce up to date resources, the information included here is intended as a guide. Always refer to the installation instructions when fitting, installation work should be completed by a professional tradesman.