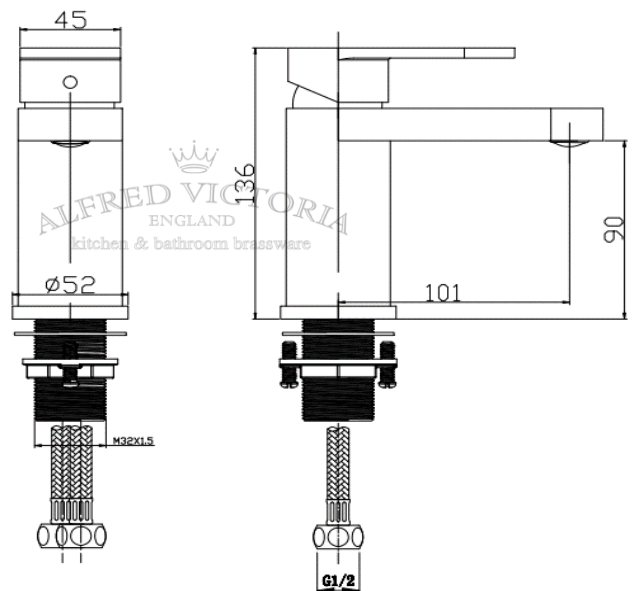


# TECHNICAL DATA SHEET

## P05 Basin Mono Mixer (Inc. Sprung Waste)

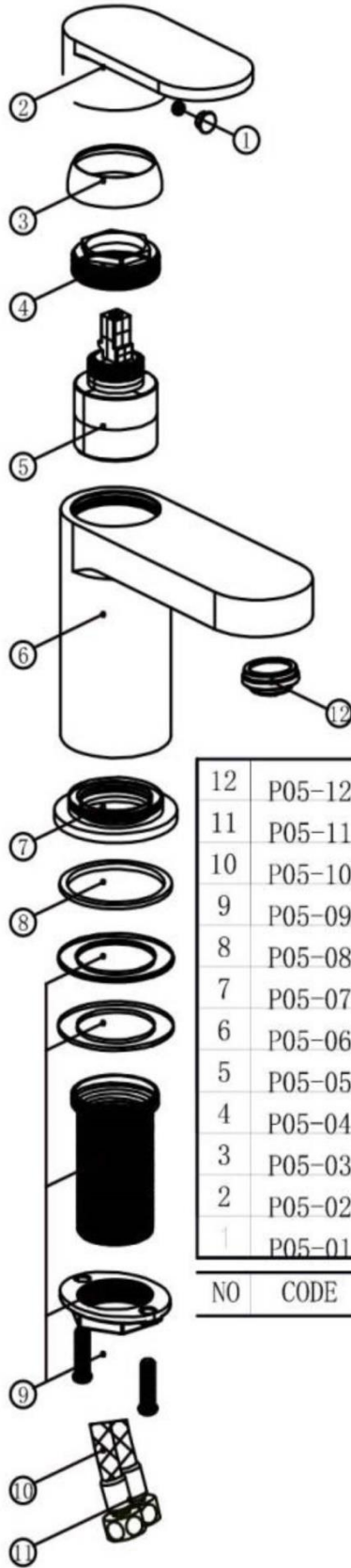
<b>Barcode</b>	7081242498391
<b>Product Code</b>	P05
<b>Construction</b>	Brass Body (CuZn40Pb2), EN CW617N (equivalent to BS CZ122) Zinc alloy Handle
<b>Finishes</b>	Chrome (Ni : 8-12um, Cr : 0.25-0.3um)
<b>Product Type</b>	Contemporary
<b>Water Pressure</b>	Min. 0.2 bar, Max. 6.0 bar
<b>Plumbing Systems</b>	Suitable for all plumbing systems, Hot and Cold water pressure preferably balanced Max. supply pressure differential requirement no greater than 5:1
<b>Standards</b>	Complies with BS6920, BS EN200
<b>Certification</b>	WRAS (1710044) approved and certified
<b>Cartridge</b>	35mm Coldstart Ceramic disc cartridge
<b>Aerator</b>	Neoperl Adjustable Slim Aerator
<b>Fitting</b>	UK: M10 x 350mm G1/2" BSP Female Flexi Tails EU: M10 x 350mm G3/8" BSP Female Flexi Tails
<b>Packaging</b>	46 x 28 x 34cm / carton (8 boxes), Dimension: 27 x 22 x 8cm / box; Weight: 1.81Kg / box
<b>Guarantee</b>	10 years against manufacturing faults (excluding serviceable parts)
<b>Additional Information</b>	Supplied with G1¼" sprung waste (UK only)



### Flow Rates (Litres per minute)

System Pressure	0.1 Bar	0.2 Bar	0.3 Bar	0.5 Bar	1.0 Bar	1.5 Bar	2.0 Bar	3.0 Bar	4.0 Bar	5.0 Bar
<b>P05</b>	2.7	4.0	5.0	6.3	8.8	10.6	12.3	14.9	17.1	19.0

The information contained on this page was correct at date of issue. Fitting dimensions are provided as a guide only. Some variation may occur due to manufacturing tolerances. We pursue a policy of continuing improvement in design and performance of our products and so reserve the right to change specifications without prior notice.



# P05

12	P05-12	AERATOR	1
11	P05-11	HOSE (BLUE)	1
10	P05-10	HOSE (RED)	1
9	P05-09	TAIL (A SET)	1
8	P05-08	WASHER	1
7	P05-07	BASE PLATE	1
6	P05-06	BODY	1
5	P05-05	CARTRIDGE	1
4	P05-04	CARTRIDGE NUT	1
3	P05-03	SHROUD	1
2	P05-02	HANDLE	1
1	P05-01	CAP, GRUB	1

NO	CODE	NAME	QTY
----	------	------	-----

Alfred Victoria Exploded Drawings			Material:	Assembly	Size:	A4	
			(Date:D/M/Y)	Scale:	None	Issue No:	01
Drawn by:	Sherman	23/06/2016					
Checked by:	Lee	23/06/2016					
Approved by:	T. K.	23/06/2016					
Drawing Name:							