

BELFAST DUAL LEVER TAP CHROME

RANGEmaster
sinks & taps



Combining modern design with traditional good looks, the Belfast bridge kitchen tap is the perfect addition to any ceramic sink thanks to its complementary handle design.

- Suitable for all pressure water systems
- Featuring an anti-splash spout with honeycomb aerator design which mixes air with water to emit a water flow with no splash

Overall Height (mm)	368
Spout Reach (mm)	190
Spout Height (mm)	260
Spout Rotation Range	360°
Handle Type	Dual Lever
Colour	Chrome
Bar Pressure Suitability	All Pressure
Min. Bar Pressure	0.10
Max. Bar Pressure	5.50
Mixed Flow Rate at 3 Bar Pressure (l/min)	40.48
Flow Type	Single Flow
Recommended Hot Water Temperature	46°C
Maximum Hot Water Temperature	70°C
Handle Control	Quarter Turn
Centre Distance (mm)	180
Cartridge Type	Ceramic Disc Cartridge
Aerator Type	Flow Straightener
Inlet Pipes	Fixed Threaded Inlets
Anti-Splash Spout	Yes
Pull Out Spray	No
WRAS Approved	No
Product Code	TBL1CM/
Barcode	5015834032351

Date of download: September 01, 2022

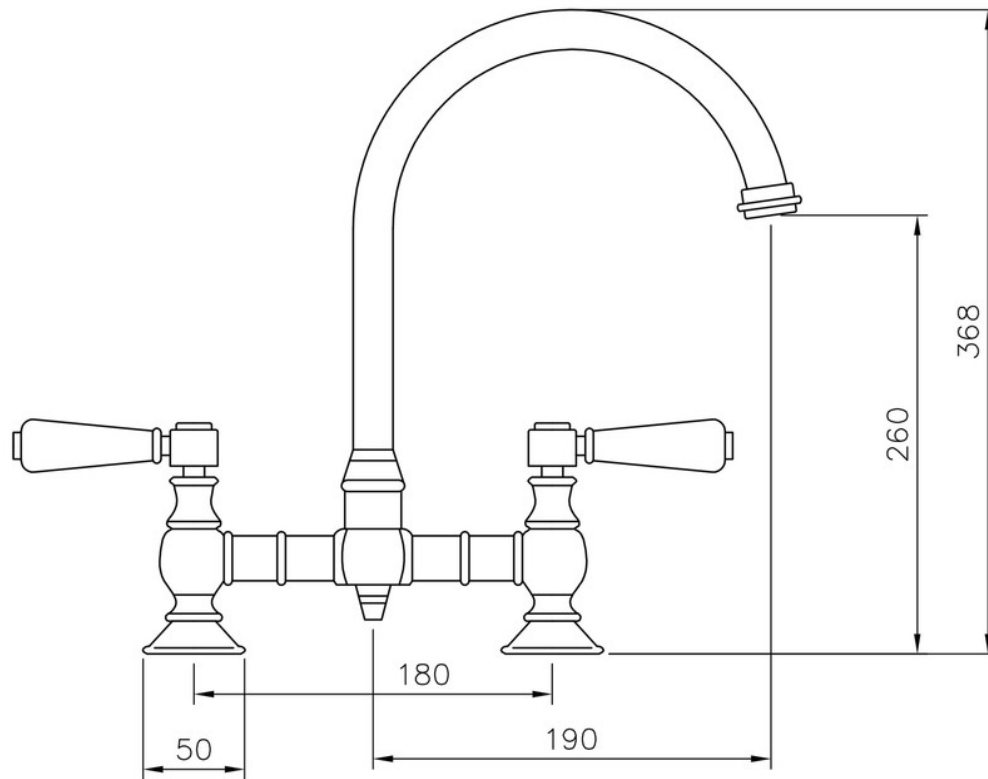
AGA Rangemaster continuously seeks improvements in specification, design and production of products and thus, alterations take place periodically. Whilst every effort is made to produce up to date resources, the information included here is intended as a guide. Always refer to the installation instructions when fitting, installation work should be completed by a professional tradesman.

BELFAST DUAL LEVER TAP CHROME

TBL1CM/

RANGEmaster
sinks & taps

Technical Drawing



Date of download: September 01, 2022

AGA Rangemaster continuously seeks improvements in specification, design and production of products and thus, alterations take place periodically. Whilst every effort is made to produce up to date resources, the information included here is intended as a guide. Always refer to the installation instructions when fitting, installation work should be completed by a professional tradesman.