

Sliding Door

ASSEMBLY GUIDE

IMPORTANT

- 1.. The cubicle can be constructed either way up, for left or right hand opening.
- 2.. These instructions and list of parts assume that installation is done against solid or tiled walls. Hollow or "Stud - partition" walls will require alternative fixings. Please consult a hardware supplier for the correct type. It may also be necessary to consult your tiling supplier about the correct method for drilling your tiles.
- 3.. Please check this product for damage prior to starting the installation. No claims can be made after the products have been fitted, or after fitting has commenced.
- 4.. This is a 2 person installation.
- 5.. Please note the minimum and maximum adjustment for this product are based on perfectly plumb walls.

Tools Required *Please note hand tools **NOT** supplied.*



Drill



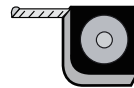
7mm Masonry Drill
3.2mm HSS Drill



Spirit Level



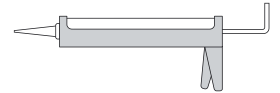
Pencil



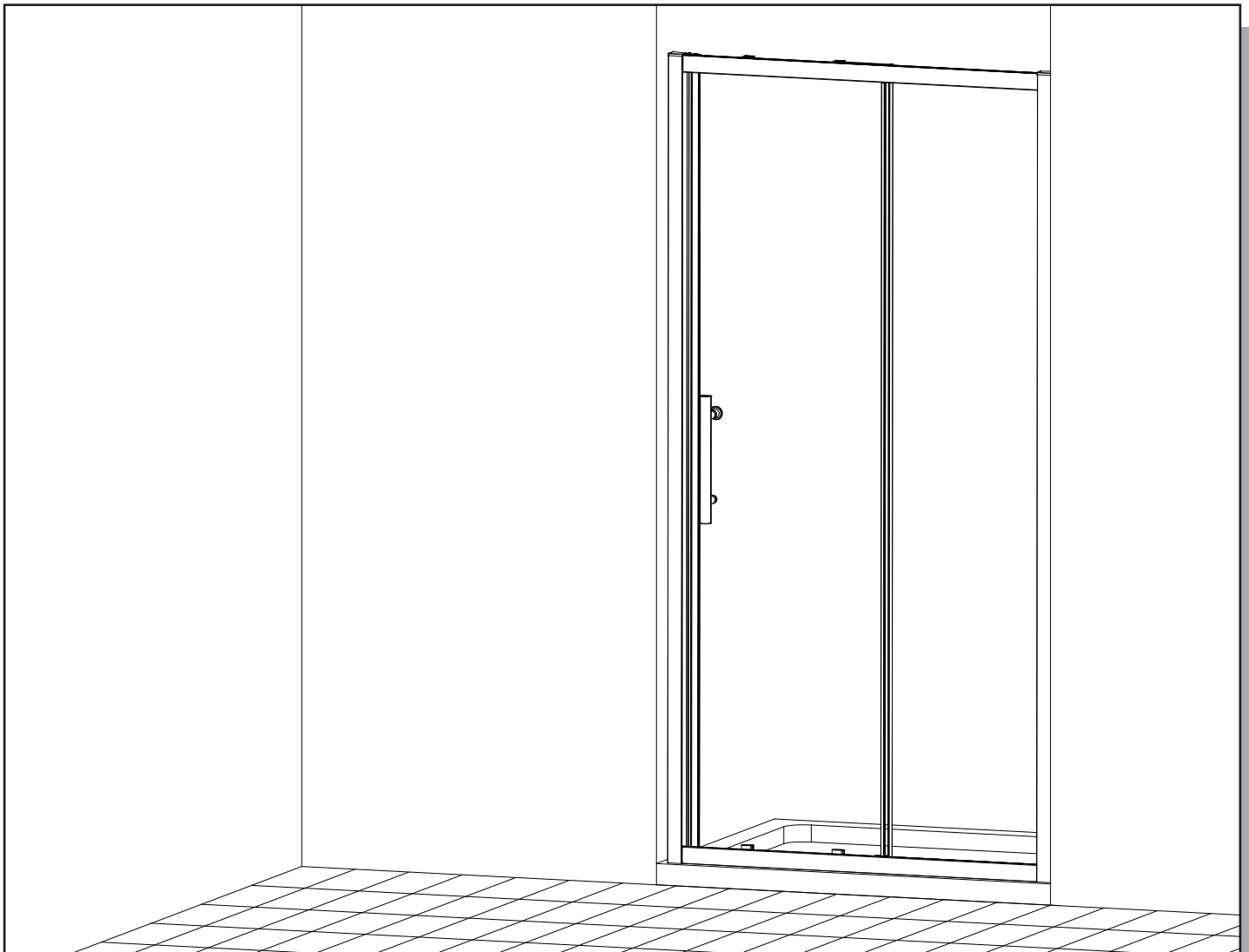
Tape Measure



PH2 TYPE
Screwdriver

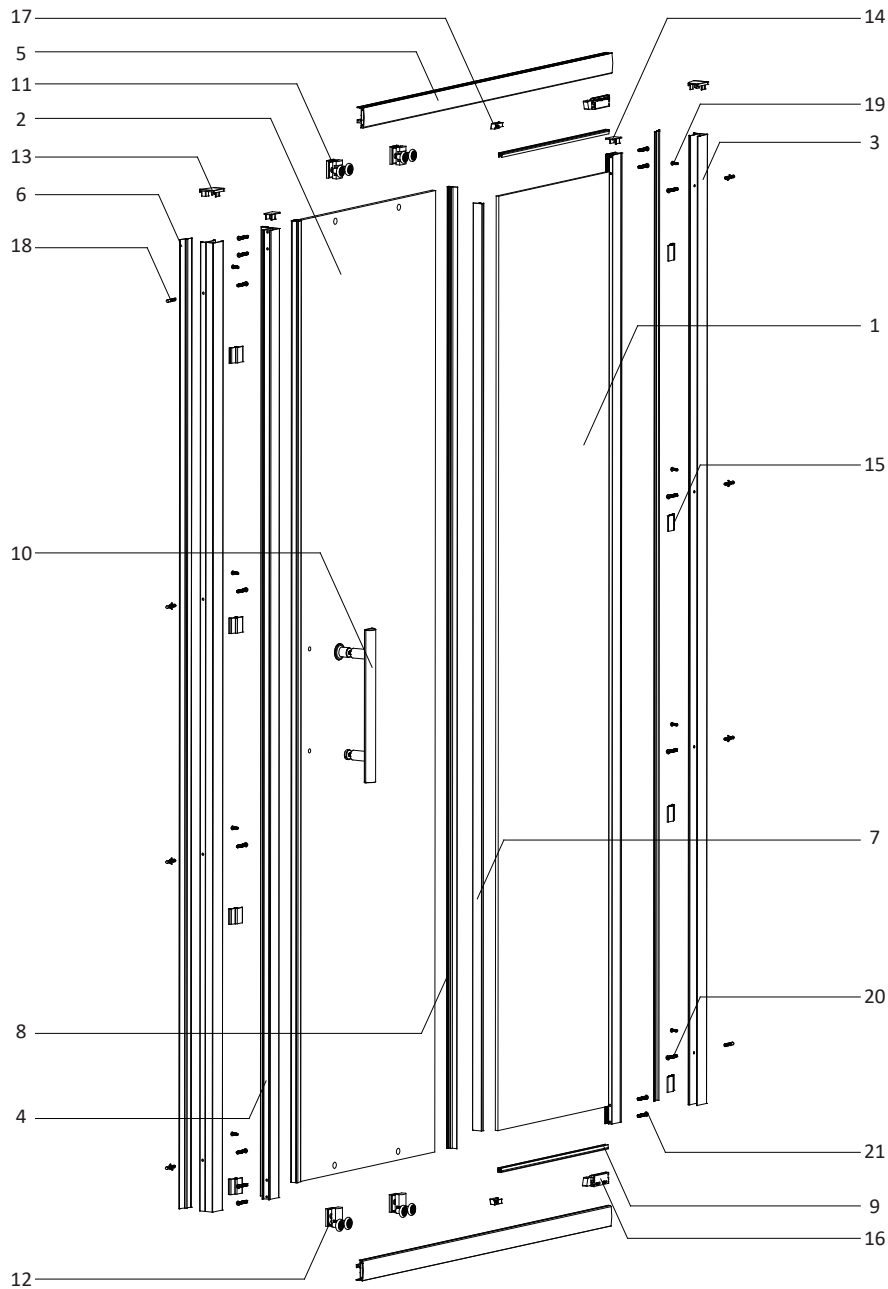












Sealant Gun

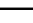
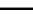
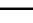
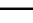
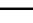

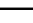






Sliding Door

EXPLODED VIEW AND PARTS LIST



| SN | Code | Description | Qty | Image |
|----|-------------|-------------------------------|-----|---|
| 1 | N/M | Fixed Panel | 1 | |
| 2 | N/M | Moving Panel | 1 | |
| 3 | ALU8654 | Wall Channel | 2 |  |
| 4 | ALU8657 | Magnet Profile | 1 |  |
| 5 | ALU8656-T/B | Top / Bottom Profile | 2 |  |
| 6 | ALU13660 | Cover Profile | 2 |  |
| 7 | 304B-6-10-3 | Flipper Seal for Fixed Panel | 1 |  |
| 8 | 304B-8-10-4 | Flipper Seal for Moving Panel | 1 |  |
| 9 | SCUGASK | Gasket | 2 |  |
| 10 | S1HW34 | Type D Type Handle | 1 |  |
| 11 | S1HW32 | Top Roller | 2 |  |
| 12 | S1HW33 | Bottom Roller | 2 |  |

| SN | Code | Description | Qty | Image |
|----|------------|------------------------|-----|---|
| 13 | S1PS21-L/R | Wall Channel Cap L/R | 2 |  |
| 14 | S1PS05 | Upright Profile Cap | 2 |  |
| 15 | S1PS20 | Cover Profile Clip | 8 |  |
| 16 | S1PS37-L/R | Soft Close Stopper L/R | 2 |  |
| | SBLTL002 | ST 3.5 x 8 Screw | 4 |  |
| 17 | S1PS36-L/R | Glass clip L/R | 2 |  |
| | SBLTL036 | ST 3.5 x 10 Screw | 2 |  |
| 18 | SBLTL001 | Wall Plug | 8 |  |
| 19 | SBLTL003 | ST 3.5 x 12 Screw | 8 |  |
| 20 | SBLTL013 | ST 4 x 30 Screw | 8 |  |
| 21 | SBLTL014 | ST 4 x 45 Screw | 8 |  |

TRAY MUST BE SEALED FULLY AROUND

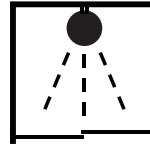
WHERE THE TRAY MEETS THE WALL

TRAY MUST BE 100% LEVEL IN ALL DIRECTIONS

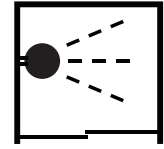
TRAY MUST BE 100% LEVEL IN ALL DIRECTIONS

TRAY MUST BE SEALED FULLY AROUND WHERE THE TRAY MEETS THE WALL

Ensure the shower tray is level in all directions and is properly sealed to the wall. The wall must be tiled down to the top edge of the tray. Do not angle out bottom tile.

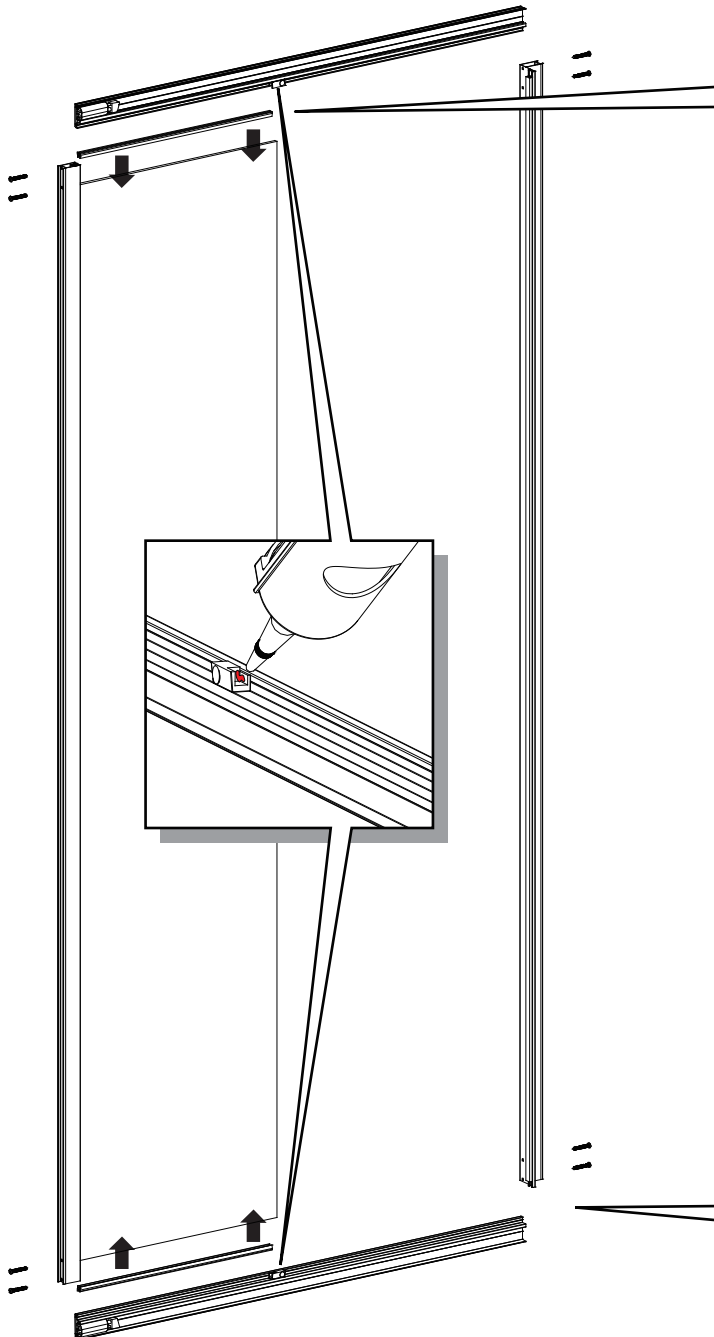
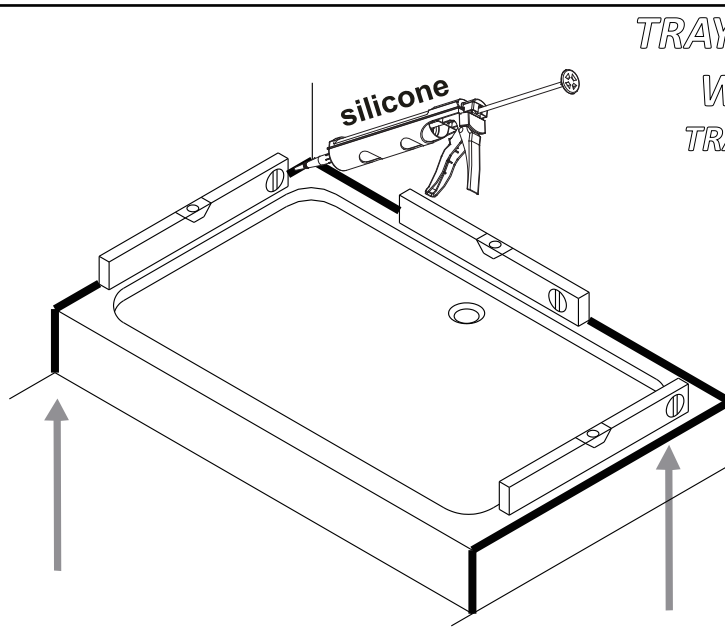


X

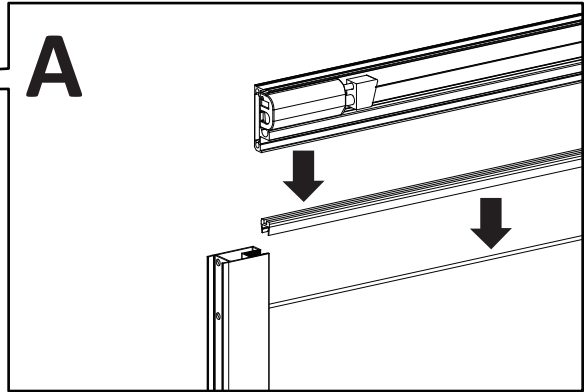


✓

It is good plumbing practice and common sense to not install a shower head pointing at the opening of any shower enclosure.



A



Step A

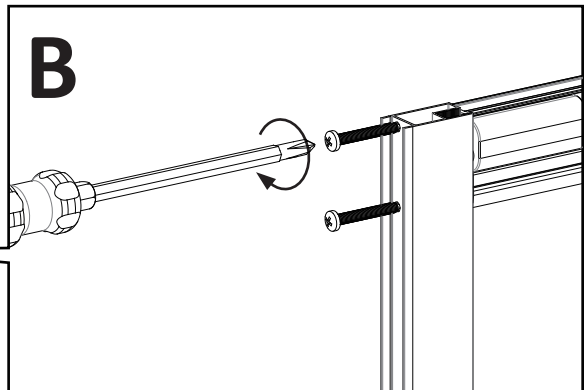
Put the gaskets (SCUGASK) on the fixed panels then put the top and bottom profile (ALU8656-T and ALU8656-B) on the fixed glass panels as shown. The Roller Stoppers (S1PS34 and S1PS37-L/R) and the Glass Clips (S1PS36-L/R) were pre-assembled.

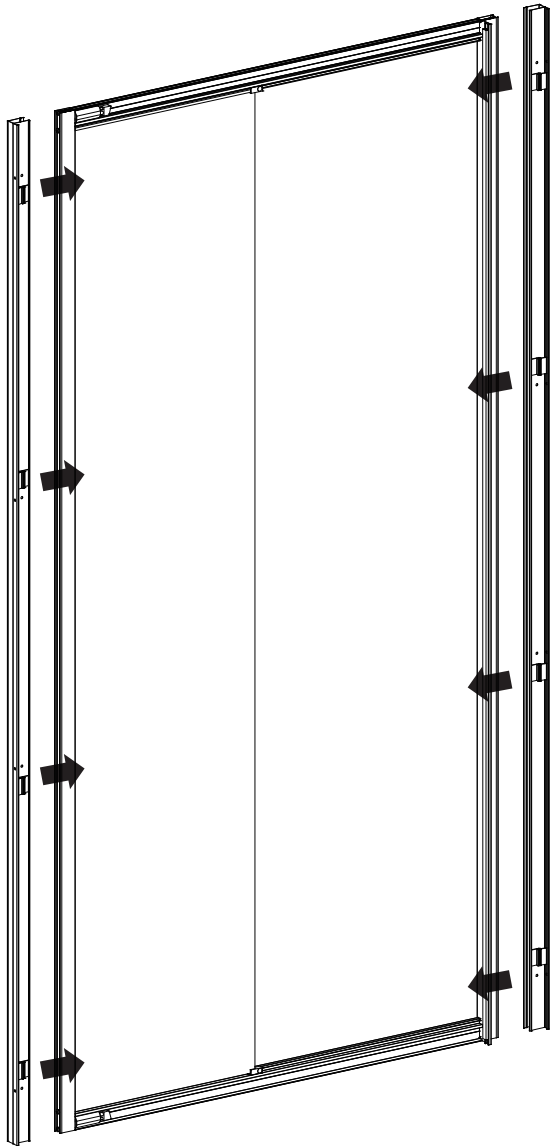
Note: Put a small amount of silicone in the corner between the glass and the profile where the glass clips are fixed to the top and bottom profile.

Step B

Fix the frame using ST 4 x 45 screws (8 x SBLT014).

B





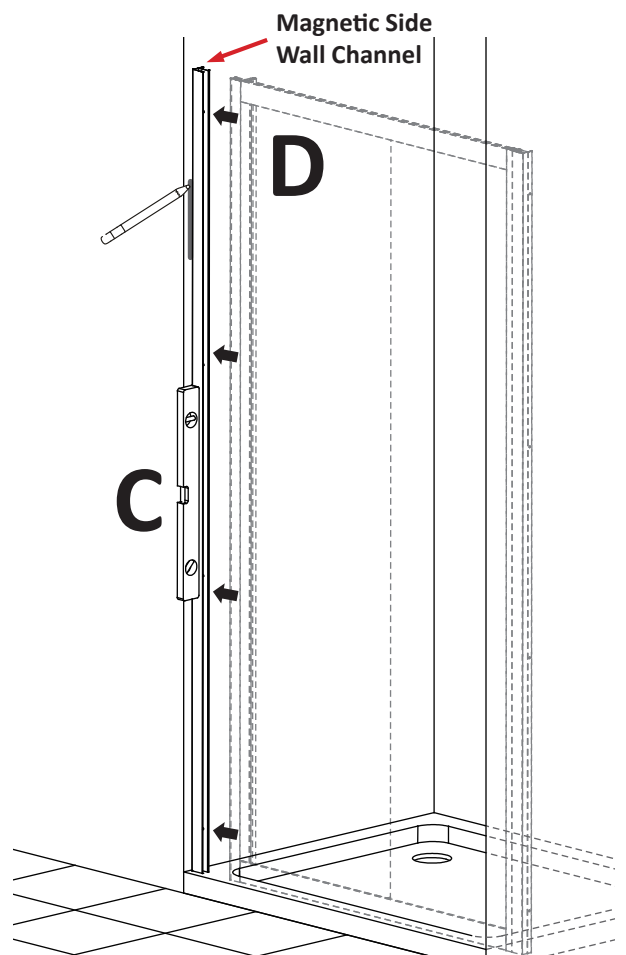
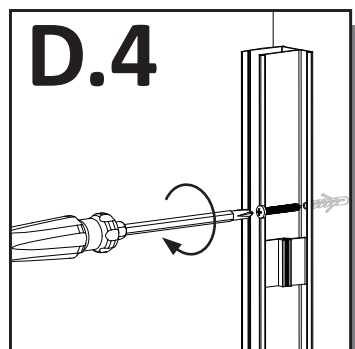
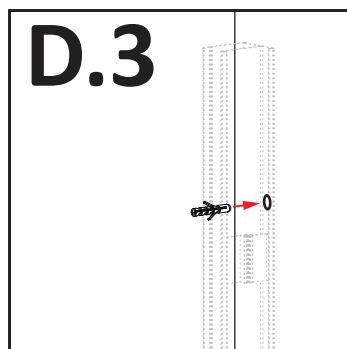
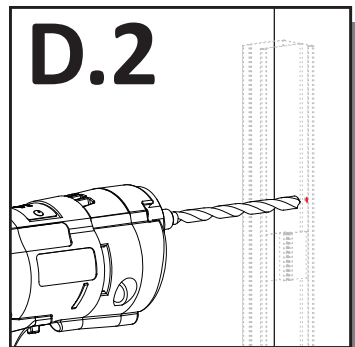
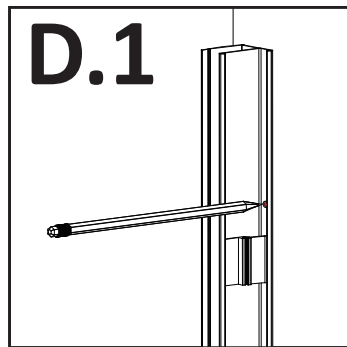
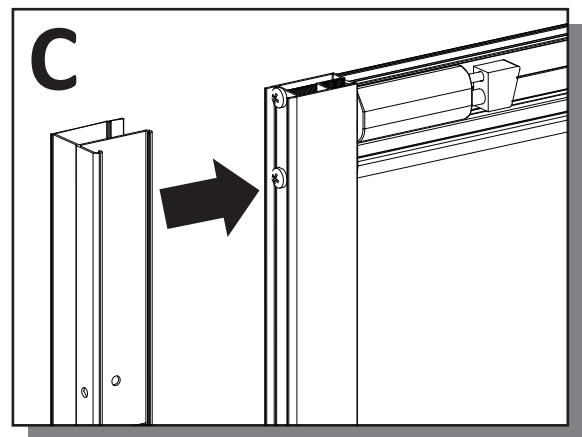
Step C

Position the assembled door frame (with wall profile fully pushed into frame) onto the tray and decide on the step in from the edge of the tray to wall profiles. The wall profiles can be adjusted until the door is positioned correctly on the tray.

Step D

Position the wall channels back on the tray ensuring the wall channels are plumb, mark the position of the holes in the wall. Do this by marking the wall with a pencil through the pre-drilled holes in the wall channel. Drill with **6mm** masonry drill bit and insert wall plug (**8 x SBLTL001**). Slot wall channels into the door frame, then lift door onto the tray. Fix the wall channel with screws **ST4x30 (8 x SBLTL013)**.

Note: Fix the magnetic side wall channel to the wall first.



Step E

Slot the top rollers (2 x S1HW32) into the top profile and then clip in the bottom rollers (2 x S1HW33) as shown in E.1 and E.2. To ensure the correct rolling action and the door closes on the profile evenly, adjust the roller by adjusting the screw clockwise or anticlockwise as shown in E.3

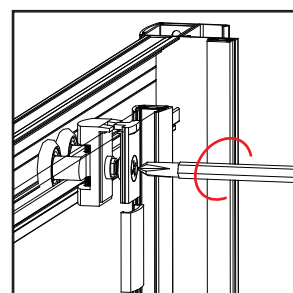
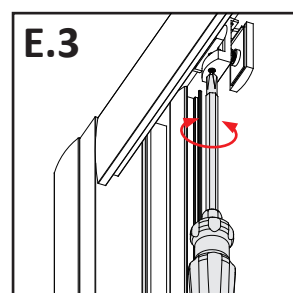
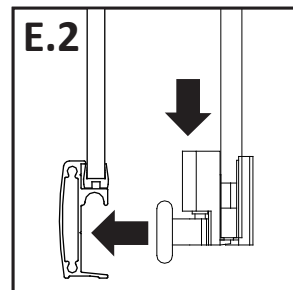
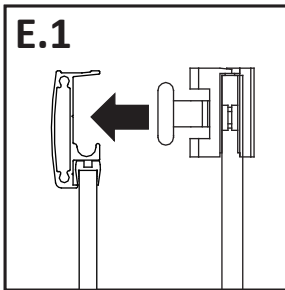
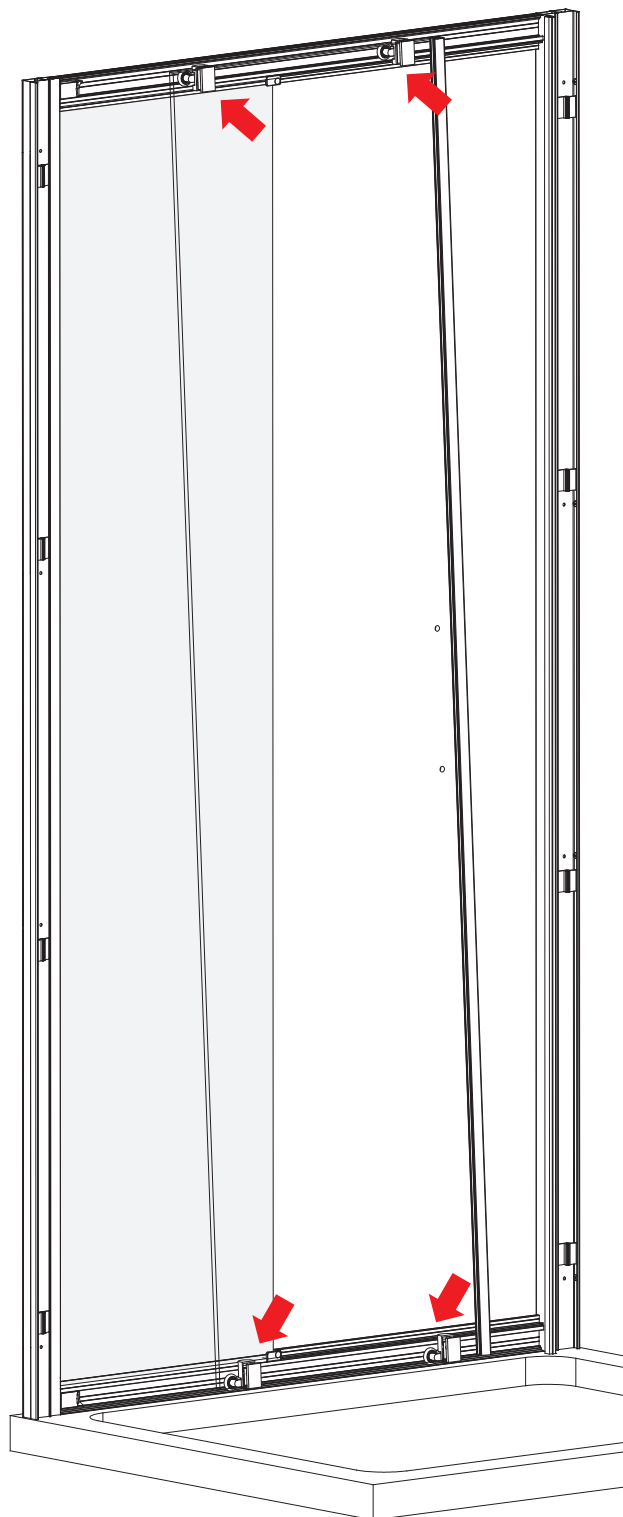
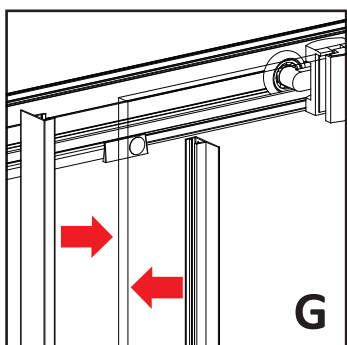
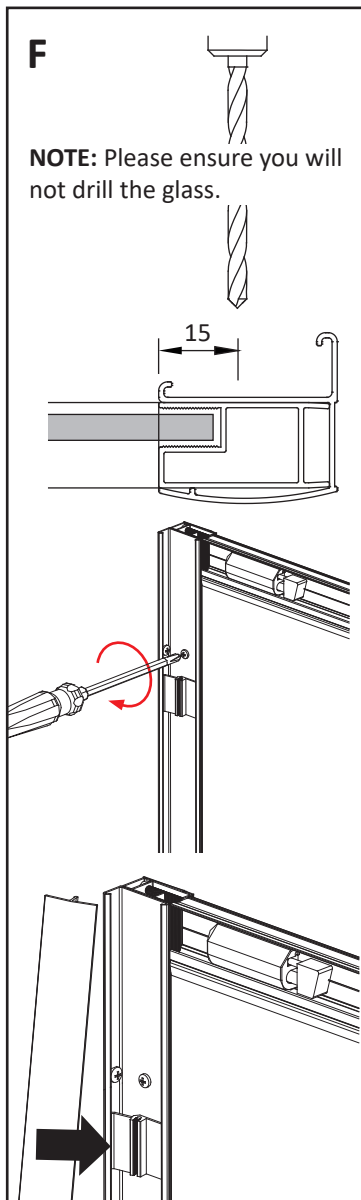
Step F

Drill 3 equally spaced holes with 3mm drill bit through the wall profile and frame. Fix the frame to the wall profile with ST3.5 x 12 screws (8 x SBLTL003). Put the Cover Profiles (2 x ALU13660) on the plastic clip (8 x S1PS20).

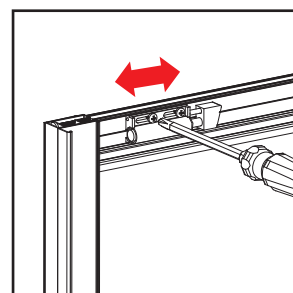
Step G

Attach the Fixed panel flipper seal 304B-6-10-3 to the fixed panel.

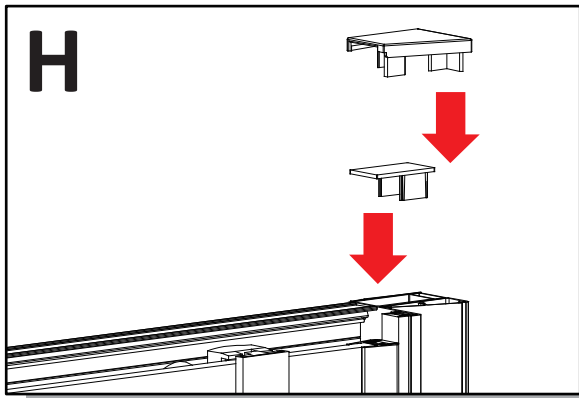
Attach the Moving panel flipper seal 304B-8-10-4 to the end of moving panel.



NOTE: This door is reversible. The instruction shows the right handed side door. You need to swap the top and bottom rollers if you need the left handed side door.

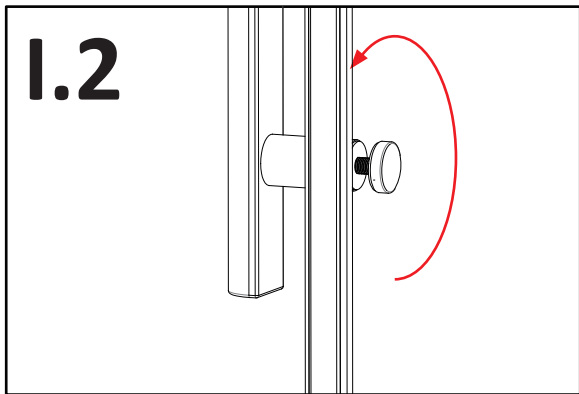
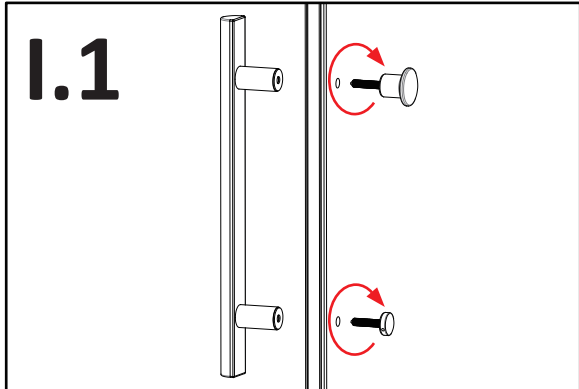


NOTE: The stoppers can be adjusted, you may need to adjust the stoppers a few to ensure the rollers can meet.



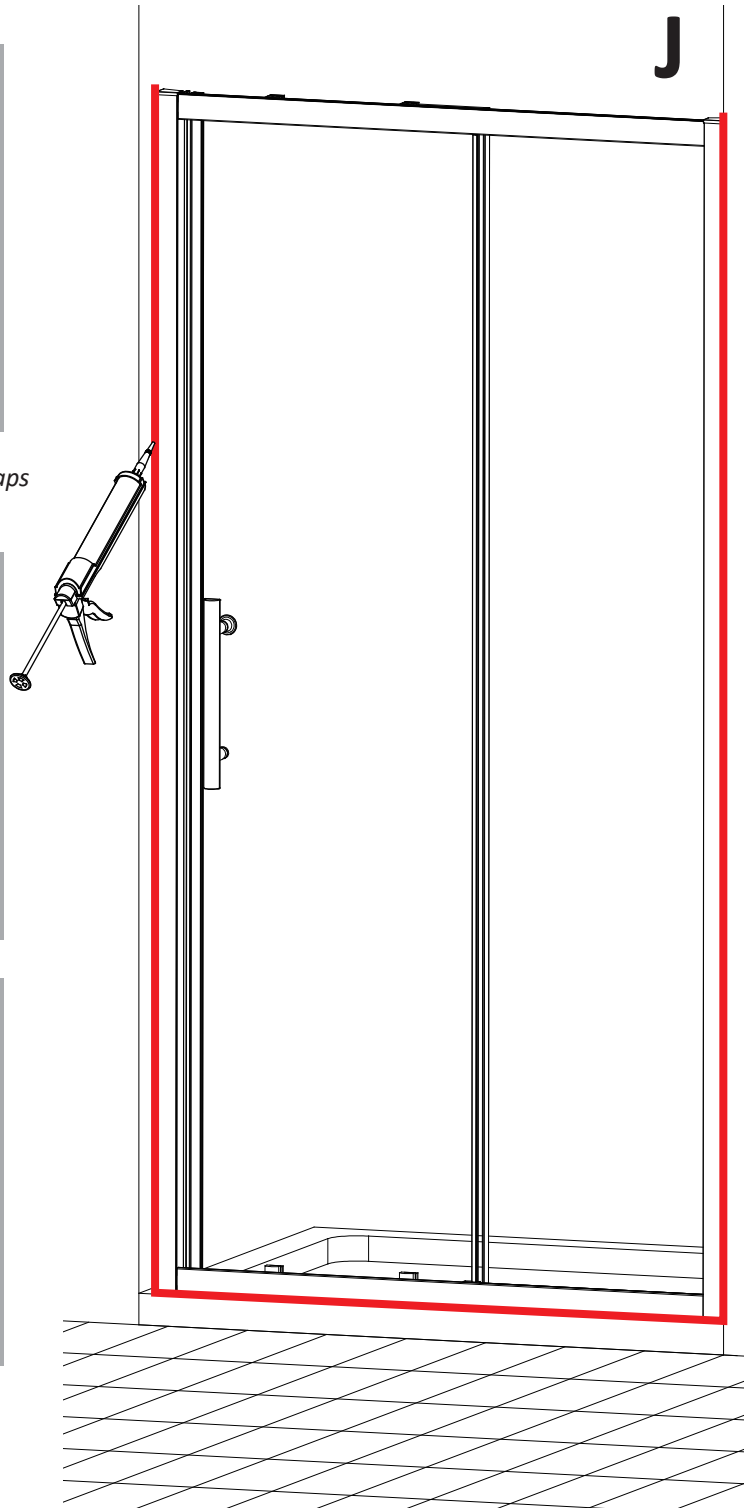
Step H

Put the upright profile caps **S1PS05** and wall channel caps **S1PS21L/R** on.



Step I

Assemble the handle (**S1HW34**) to the door panel.



DO NOT USE THE ENCLOSURE FOR 24 HOURS AFTER SEALING



Step J

Applying Silicone Sealant And Cleaning

Seal from the top of the wall channel to the bottom on the **Outside** between the wall channel and the wall, and between the bottom profile and shower tray as shown. Wash down with clean warm water and a soft clean cloth or sponge. Please do not use bleach, alkaline or acid-based, aggressive or abrasive cleaning products.