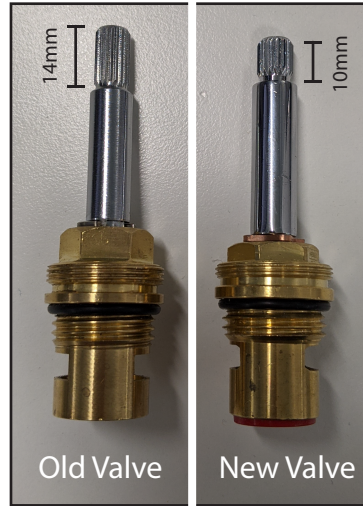


ROPER RHODES[®]

BATH

Spares Diagram - Product: BASIN MONO MIXER - T261102

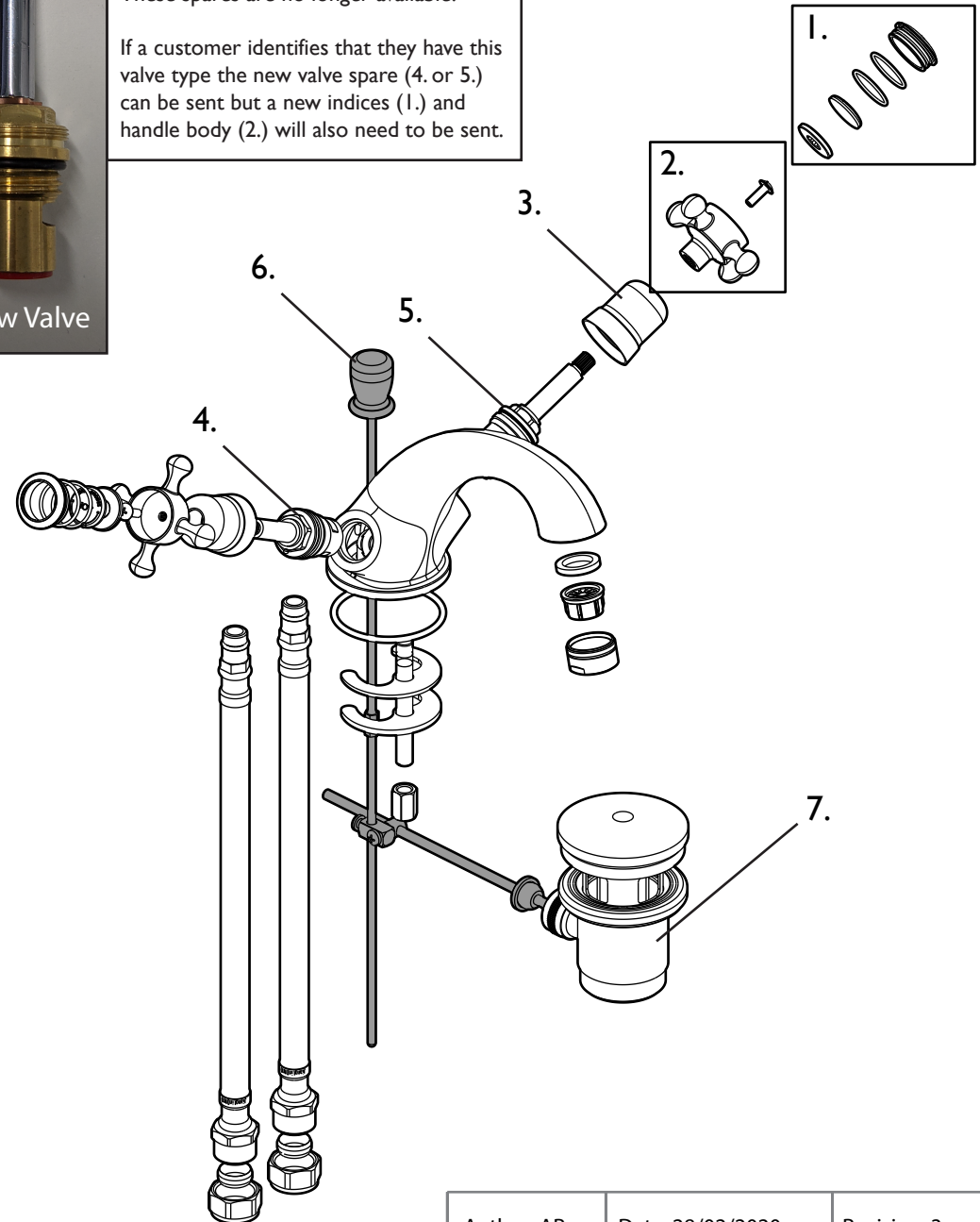
Number	Description	Spares Code
1	HENLEY INDICES (HOT)	SP19602
	HENLEY INDICES (COLD)	SP19603
2	HENLEY HANDLE BODY	SP19597
3	HENLEY BELL COVER 1/2"	SP19599
4	1/4 TURN VALVE (HOT)	SP19600
5	1/4 TURN VALVE (COLD)	SP19601
6	POP UP WASTE ROD KIT	SP19612
7	TRAD POP UP WASTE ASSEMBLY	SP19613



NOTE:

Some customers will have the old valve type (left) which has a 14mm long spindle. These spares are no longer available.

If a customer identifies that they have this valve type the new valve spare (4. or 5.) can be sent but a new indices (1.) and handle body (2.) will also need to be sent.



Author: AR

Date: 28/02/2020

Revision: 3