

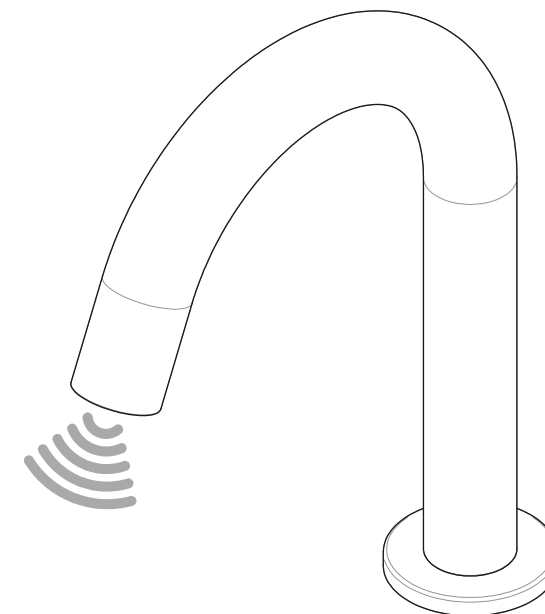
## Troubleshooting

PROBLEM	CAUSE	SOLUTION
No water out	The battery is exhausted	Change battery
	Water supply cut off	Check Supply
	Dirt in the filter	Clean the filter
	Water pressure is too low	Raise the pressure
No Water	Some conductor activates the faucet	Remove the conductor, press the button on the control box
Low flow of water	Water supply is turned down	Adjust water supply
	The filter is too dirty	Clean the filter
	Water pressure is too low	Raise the pressure
Excessive water flow	Water pressure is too high	Adjust pressure
Short cycles of battery	Incorrect batteries	Change to 4 AA Alkaline batteries
The indicator light in the sensor is not turning on	The light is broken	Change the light or circuit board
	The circuit board is wet or signal line is wet	Dry out
	The battery is exhausted	Change battery
	Poor connection of battery	Change battery connection

## Warranty

All Crosswater products come with a limited lifetime warranty. For full details, terms and conditions please contact Crosswater on: **0345 873 8840** or visit our web-site at [www.crosswater.co.uk](http://www.crosswater.co.uk)

The manufacturer reserves the right to make technical modifications without prior notice.



## Installation Instructions

# MPRO Deck Mounted Spout Sensor PROX135DNC/F/V/M

## Introduction

**IMPORTANT:** Please read these instructions carefully before you begin and retain for future reference. These instructions have been prepared for your guidance, you must exercise due care at all times.

We do not accept responsibility for any problems that may occur through incorrect installation.

## Installation Notes

### General Installation Guide

This guide contains all the necessary fitting information for the tap.

Please read all the instructions carefully before beginning the installation. Care taken during installation will ensure long life and trouble free operations from the tap.

Before installing the new tap, it is essential that you thoroughly flush through the supply pipes in order to remove any remaining swarf, solder or other impurities. Failure to carry this simple procedure could cause problems or damage to the working of the mixer.

**NOTES:** The installation must comply with all plumbing codes including local codes and be installed by a licensed plumbing contractor.

This product should only be fitted by a qualified plumber to NVQ (National Vocational

Qualification) or SNVQ (Scottish National Vocational Qualification) Level 3. Should

the installation be completed by a non-qualified person then the warranty may be considered invalid.

## Cleaning

The protective finish we use on our taps is very durable, nevertheless care should be taken when cleaning them.

They should be cleaned only with warm soapy water followed by rinsing with clean water and drying with a soft cloth. All finishes are vulnerable to acid attack and some strong substances such as household cleaners, disinfectants, denture cleaners, hair dyes can cause damage to the surface.

Having first checked all new connections, turn on the mains stop cock, close all taps except the new mixer and as the system starts to refill check for leaks. Once you have checked that there are no leaks, switch on the water heating.

## Technical Specifications

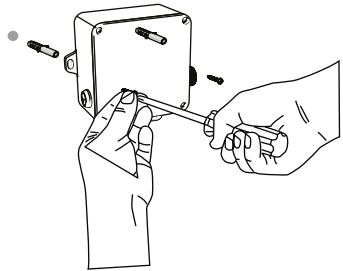
DC: 6V AC: 230V (50 Hz / 110 - 120 V (60 Hz)	DC: 6V AC: 230V (50 Hz / 110 - 120 V (60 Hz)
Working Pressure	1 - 7 bar
Pressure resistance closed (1 min)	35 bar
Endurance	500.000 cycles
Max. Hot water	75° C
Flow Rate (RhA)	10,8 l/min
Sensor activation time	<1s
Protection against intrusion (Control box)	IP65
Protection against intrusion (sensor)	IP67
Sensor detection distance	Adjustable ≤ 35cm
Power consumption (standby)	AC < 4 W; DC < 0,2 mW
Power consumption (flushing)	AC < 5 W; DC < 3 mW
Water saving function	Auto off adjustable up to 1 min
Battery Type	4x AA 1,5 V

Checked in accordance with the following harmonized EN standards

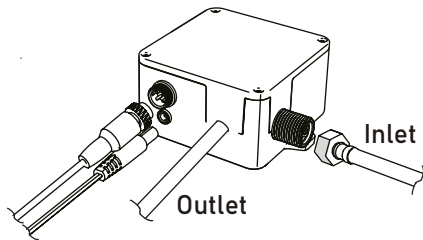
EN 15091-2013  
EMC: EN 55014-1:2017 + A11:2020  
EN 61000-3-3:2019  
EN 61000-3:2013 + A1:2019  
EN 55014-2:2015  
EN 60335-1:2012 + A11:2014 + A13:2017 + A1:2019 + A14:2019 + A2:2019  
EN 62233:2008  
RoHS: EN IEC 63000:2018

Checked in accordance with the following harmonized EN standards

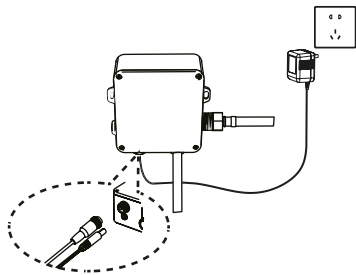
2014/30/EC on Electromagnetic Compatibility  
2011/65/EC on Restriction of Hazardous Substances  
2014/35/EC Low voltage directive  
2006/1907/EC ECHA list SVHC



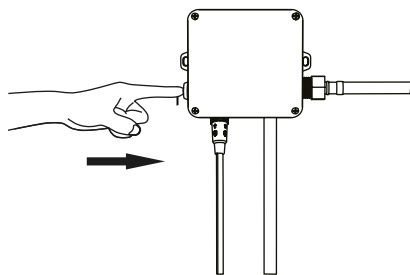
Fix control box to the wall.



Install filter elements and connect the water inlet and outlet securing with clip.

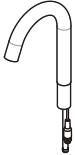
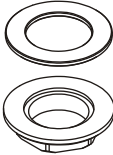
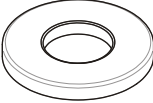
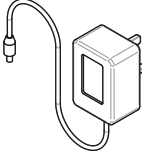

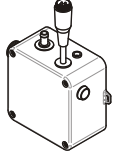


Connect the IR sensor from the tap to the control box. If necessary, according to the product version (AC or AC+DC), power the system via the transformer socket.



For detection distance adjustment, press side button for 3 seconds until sensor LED shows fast blinking. Put the hand in front of the sensor at the desired sensing distance. Sensor LED will turn for 3 seconds to inform that the adjusting process has been completed successfully.

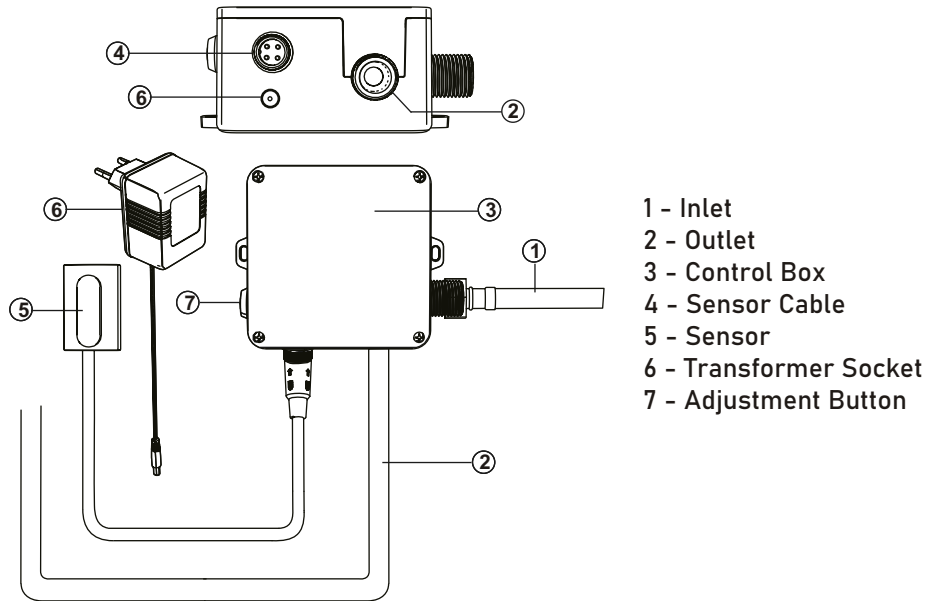
## Components

	Spout assembly		Fixing Kit
	Base Plate		Power Supply Adapter
	O-Ring		Control Box

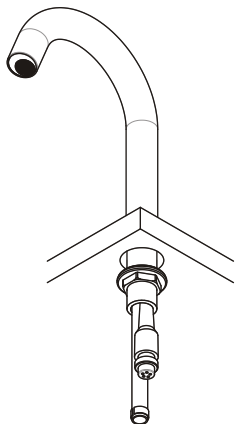
## Functions & Features

- Infrared sensor activation
- Automatic shut-off valve
- Helps to save water and energy
- Easy to use
- Hygienic (reduces risk of cross-contamination)
- Powered by battery and/or power supply
- Vandal resistant
- Self-adjusts the distance between the user and the sensor
- Sensor provides a faster and more comfortable experience

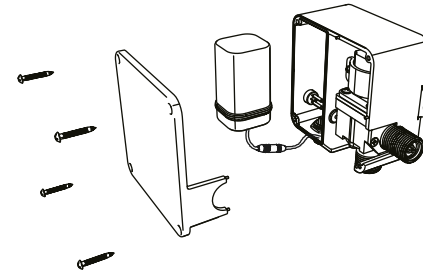
## Connection Schematics



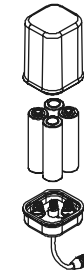
## Installation



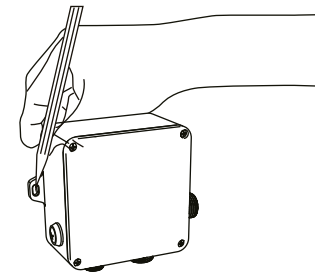
Insert spout assembly's connections from the top of the basin's hole and secure assembly from the bottom using fixing kit.



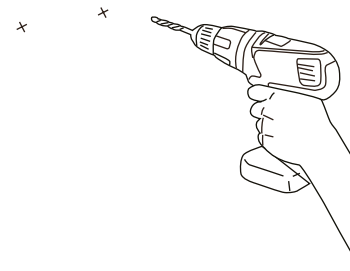
According to the product version, (DC or AC+DC), open control box and remove the battery box.



In case of version with batteries, introduce the 4x AA alkaline batteries into the battery box.



Mark the position of the holes with a pencil.



Make the holes in the wall with the appropriate measures.