

# AQUAVIBE DUAL LEVER TAP CHROME



Simplistic design with modern style levers, the Aquavibe kitchen tap offers great value for money. Available in two finishes, chrome and brushed.

- Suitable for all pressure water systems

**RANGEmaster**  
sinks & taps

Overall Height (mm)	287
Spout Reach (mm)	214
Spout Height (mm)	247
Spout Rotation Range	360°
Handle Type	Dual Lever
Colour	Chrome
Bar Pressure Suitability	All Pressure
Min. Bar Pressure	0.20
Max. Bar Pressure	5.50
Mixed Flow Rate at 3 Bar Pressure (l/min)	30.62
Flow Type	Dual Flow
Recommended Hot Water Temperature	46°C
Maximum Hot Water Temperature	70°C
Handle Control	Quarter Turn
Centre Distance (mm)	-
Cartridge Type	Ceramic Disc Cartridge
Aerator Type	Flow Straightener
Inlet Pipes	Copper Rigid Tubes
Anti-Splash Spout	No
Pull Out Spray	No
WRAS Approved	No
Product Code	TVB1CM/
Barcode	5015834046761

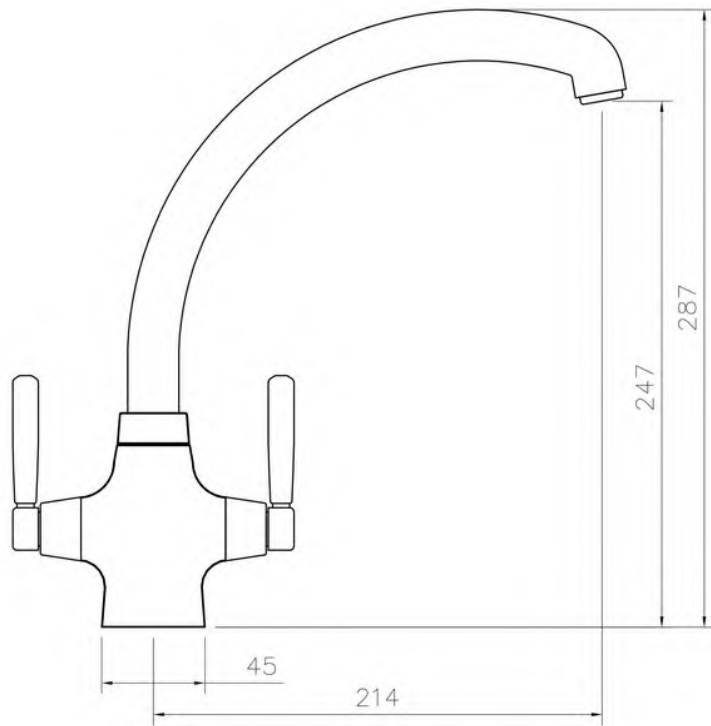
Date of download: September 03, 2022

AGA Rangemaster continuously seeks improvements in specification, design and production of products and thus, alterations take place periodically. Whilst every effort is made to produce up to date resources, the information included here is intended as a guide. Always refer to the installation instructions when fitting, installation work should be completed by a professional tradesman.

# AQUAVIBE DUAL LEVER TAP CHROME

TVB1CM/

## Technical Drawing



Date of download: September 03, 2022

AGA Rangemaster continuously seeks improvements in specification, design and production of products and thus, alterations take place periodically. Whilst every effort is made to produce up to date resources, the information included here is intended as a guide. Always refer to the installation instructions when fitting, installation work should be completed by a professional tradesman.