

PROMODDIVLBP/PROMOD1601/PROMOD1701/PROMOD440TRIM

MOUNTING INSTRUCTIONS

Pressure range min/max 0,5/5 bar
(in case of water pressure higher than 5 bar we recommend installing pressure reducers).

Recommended pressure 1 bar.

Operation:

Either with gas or electric accumulation boilers.

Centralised systems.

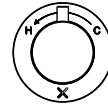
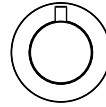
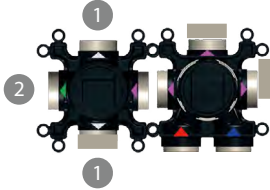
Safety lock at:	41° C
Min. Working temperature:	3° C
Min. recommended:	15° C
Max. Working temperature:	70° C
Max. recommended:	65° C
Recommended thermal differential	50° C

Thermal disinfection is allowed.

Safety system with flow stop in case of lack of flow from hot or cold water supply.

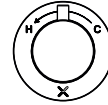
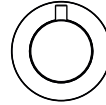
Warning: contact the plumber for the choice of the best water heating device.

MODULE 2 CONTROL DIVERTER 2-WAY



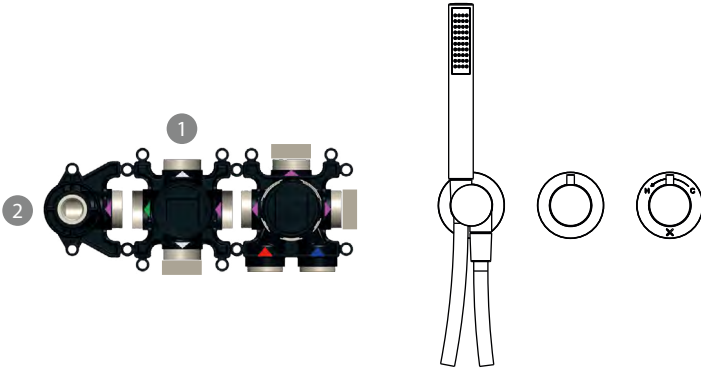
press.	flow-rate L/min.		
	bar	Exit 1	Exit 2
0,5	9,2	9,2	9,7
1	13	13	13,7
2	18,7	18,7	19,7
3	23	23	24,2
4	26,5	26,5	28
5	29,5	29,5	31,4

MODULE 2 CONTROL DIVERTER 3-WAY



press. bar	flow-rate L/min.		
	Exit 2	Exit 1	Exit 3
0,5	10	10	9,7
1	13,6	13,7	13,4
2	19,2	19,5	19
3	23,4	23,8	23,3
4	27	27,5	26,8
5	30	30,5	29,8

MODULE 2 CONTROL 2-WAY TRIMSET WITH HANDSHOWER



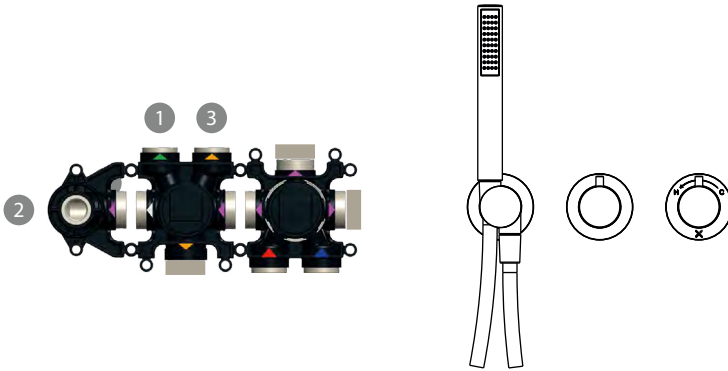
press. bar	flow-rate L/min.		
	Exit 1	Exit 2 for Shower	Exit 1+2
0,5	9,2	4,2	9,3
1	13	6	13,4
2	18,7	8,5	19
3	23	10,7	23,5
4	26,5	12,3	27
5	29,5	13,8	30,3

MODULE 2 CONTROL 2-WAY TRIMSET WITH BATH SPOUT



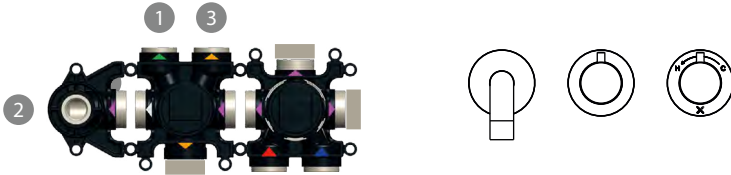
press.	flow-rate L/min.		
bar	Exit 1	Exit 2 for Spout	Exit 1+2
0,5	9,2	8,5	10
1	13	12,5	14,1
2	18,7	18	20
3	23	22,3	24,6
4	26,5	26	28,6
5	29,5	29	32

MODULE 2 CONTROL 3-WAY TRIMSET WITH HANDSHOWER



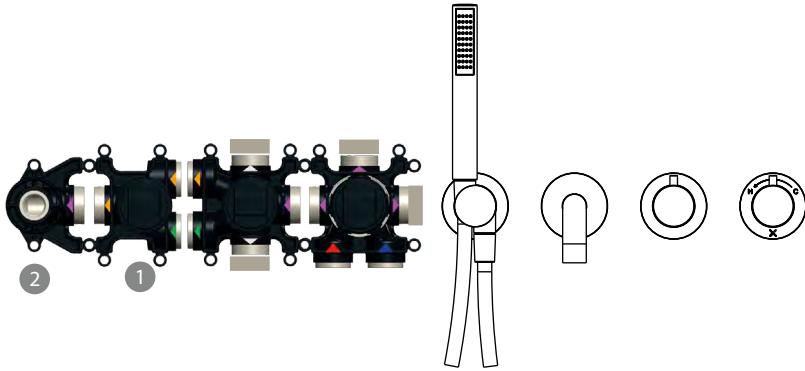
press. bar	flow-rate L/min.		
	Exit 2 Hand Shower	Exit 1	Exit 3
0,5	4,1	10	9,7
1	6	13,7	13,4
2	8,5	19,5	19
3	10,6	23,8	23,3
4	12,3	27,5	26,8
5	13,8	30,5	29,8

MODULE 2 CONTROL 3-WAY TRIMSET WITH BATH SPOUT



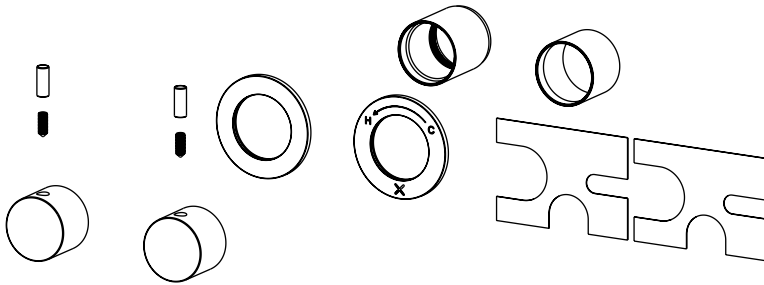
press.	flow-rate L/min.		
bar	Exit 2 Bath Spout	Exit 1	Exit 3
0,5	8,5	10	9,7
1	12,5	13,7	13,4
2	18	19,5	19
3	22,3	23,8	23,3
4	26	27,5	26,8
5	28,8	30,5	29,8

MODULE 2 CONTROL 2-WAY TRIMSET WITH
BATH SPOUT & HANDSHOWER

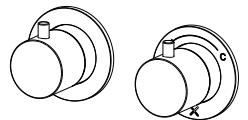


press.	flow-rate L/min.		
bar	Exit 2 Bath Spout	Exit 1 Hand shower	Exit 1 +2
0,5	8	4,1	8,8
1	11,7	6	12,7
2	17	8,5	18,3
3	21	10,6	22,5
4	24	12,3	25,6
5	26,7	13,8	28,5

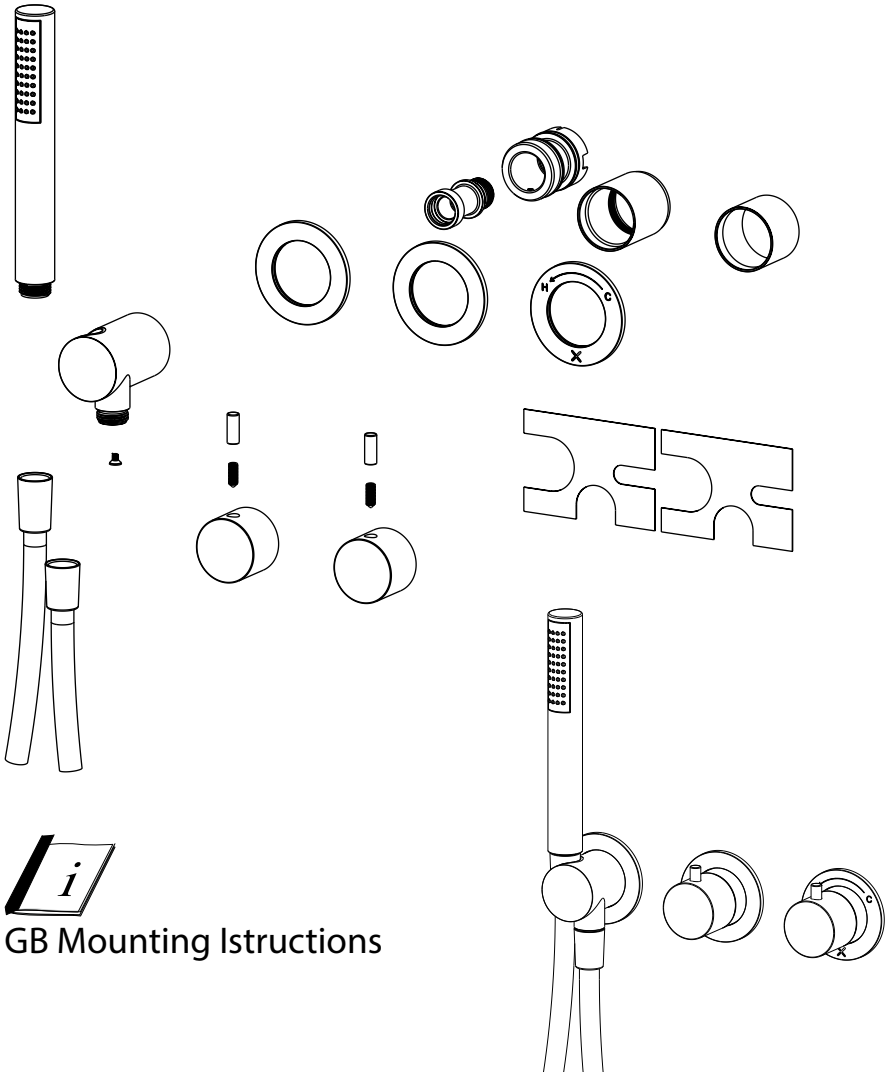
MODULE 2 CONTROL DIVERTER TRIMSET



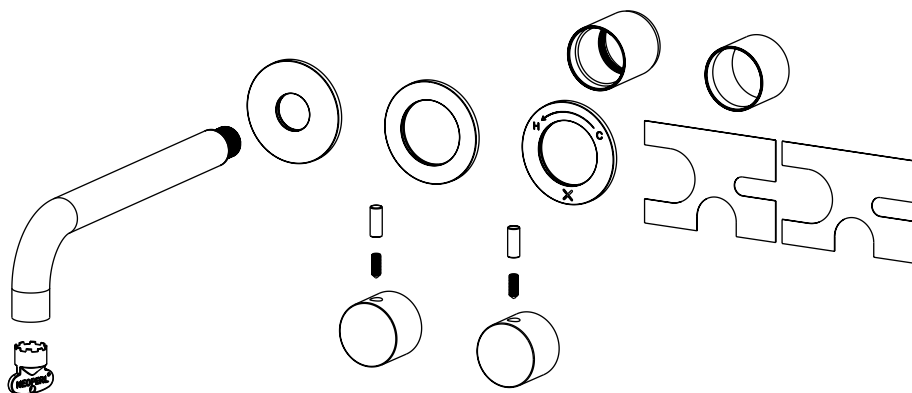
GB Mounting Instructions



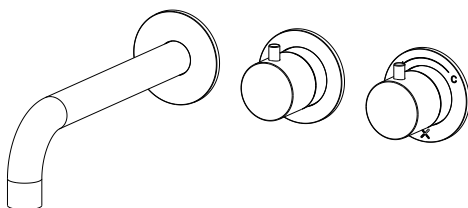
MODULE 2 CONTROL TRIMSET WITH HANDSHOWER



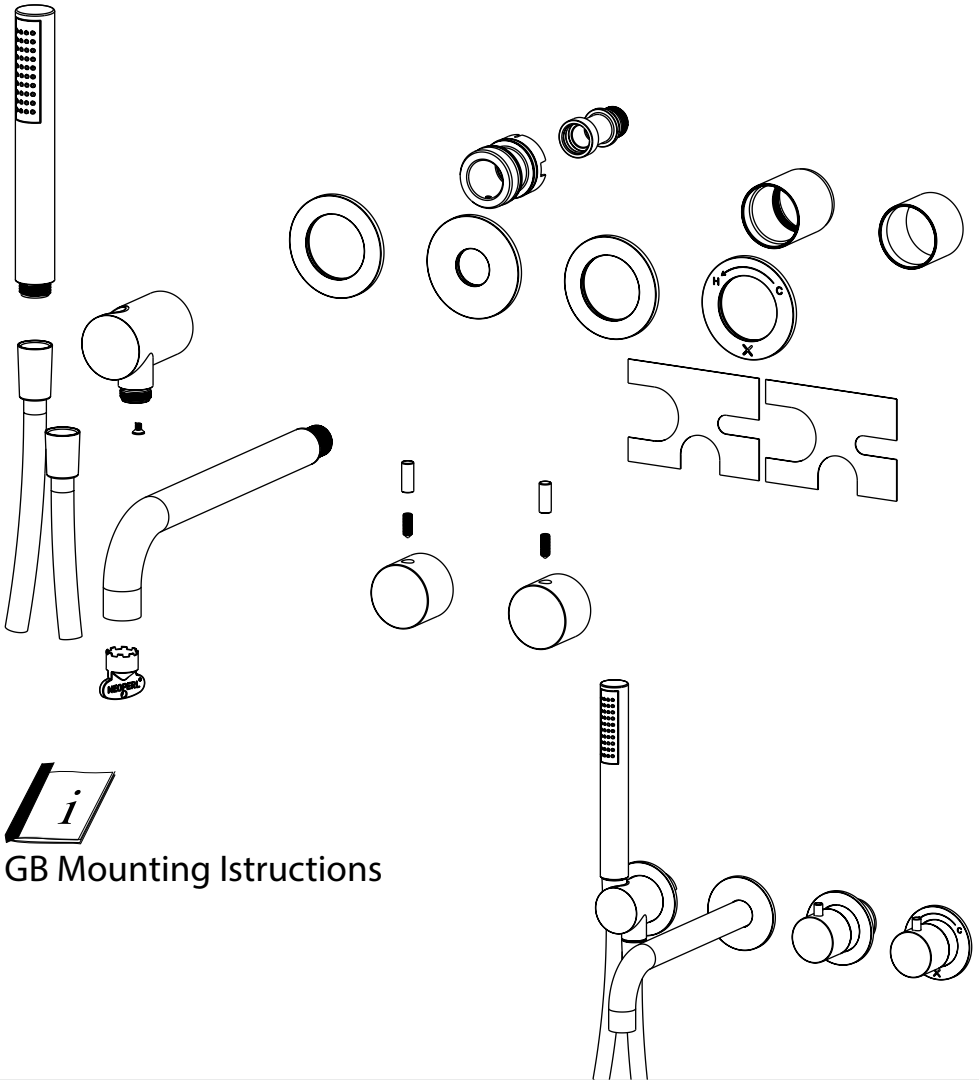
MODULE 2 CONTROL TRIMSET WITH BATH SPOUT

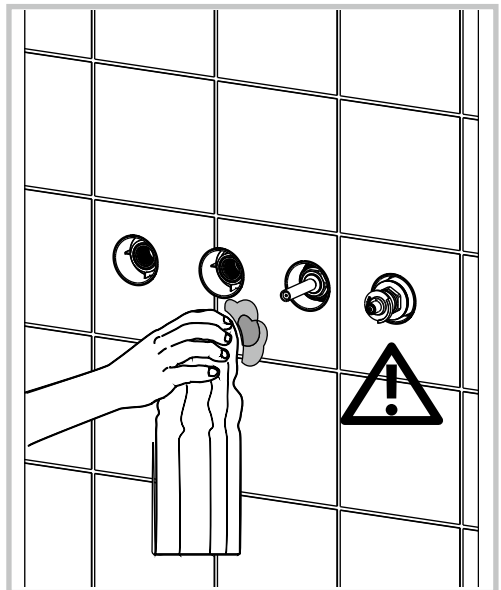
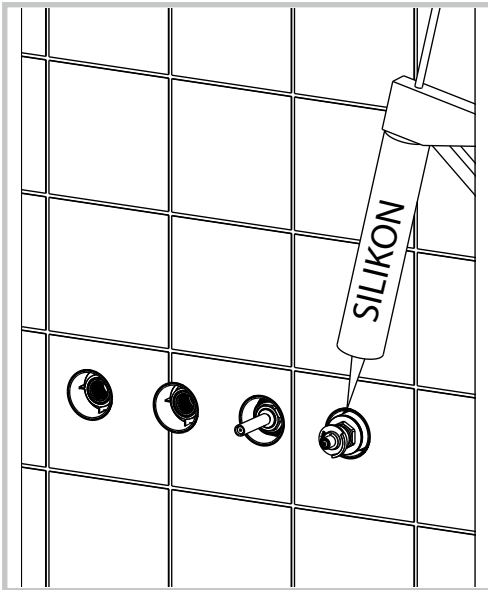
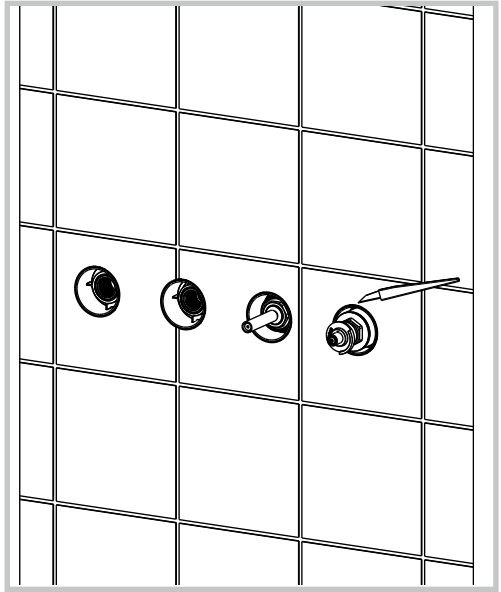
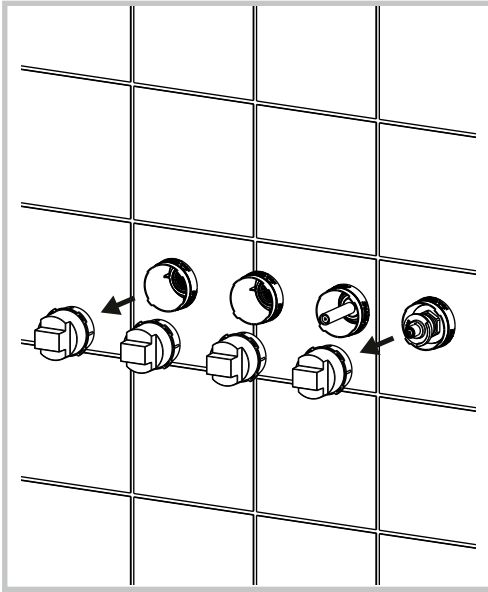


GB Mounting Instructions

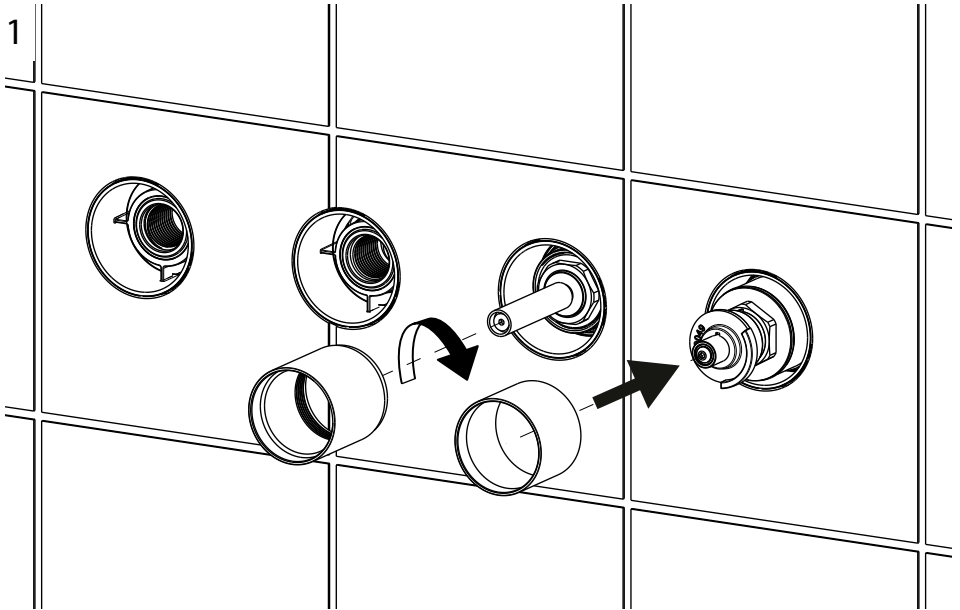


MODULE 2 CONTROL TRIMSET WITH
BATH SPOUT & HANDSHOWER

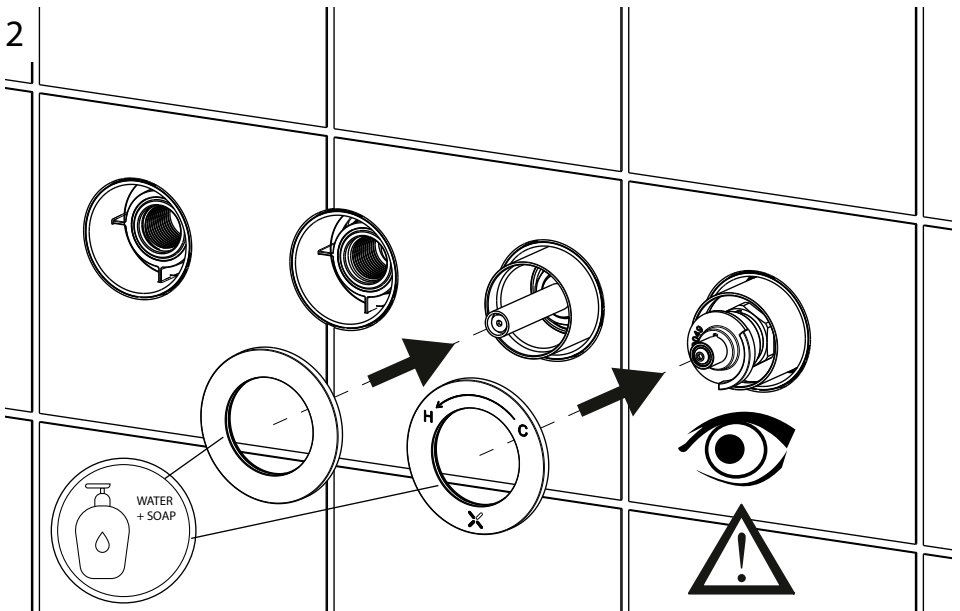


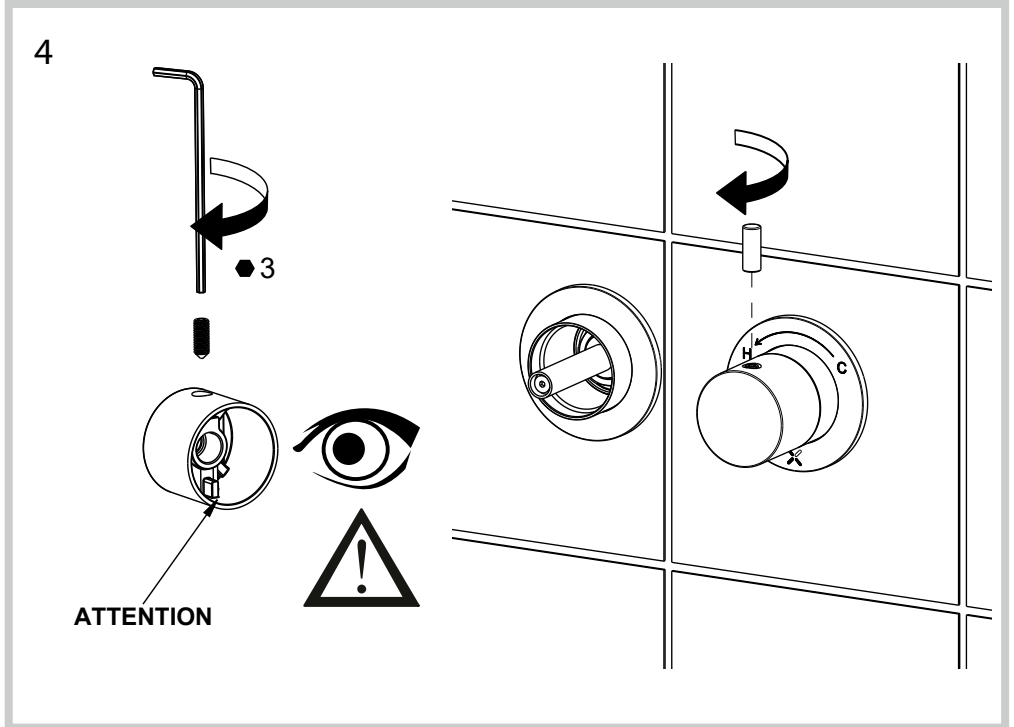
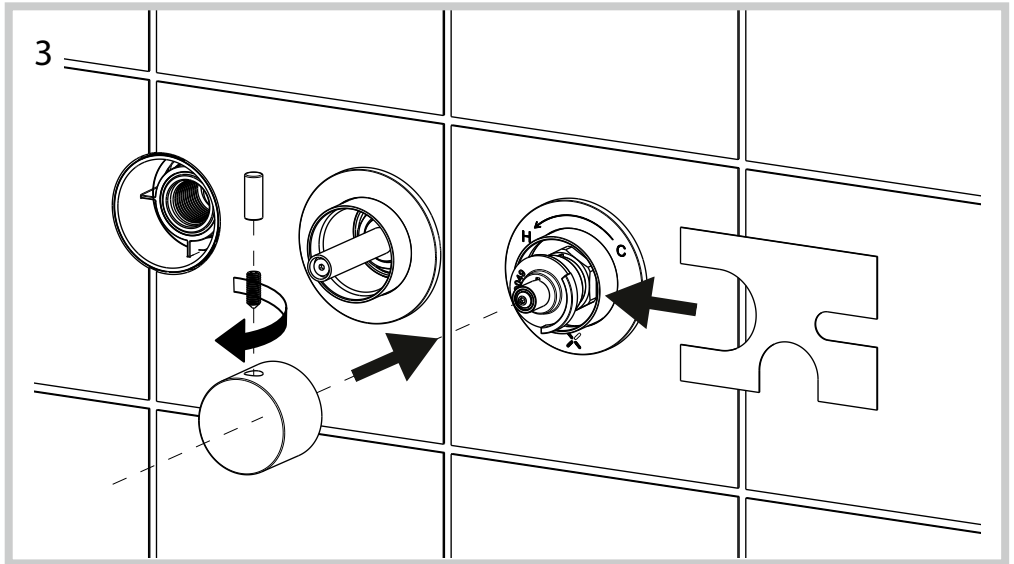


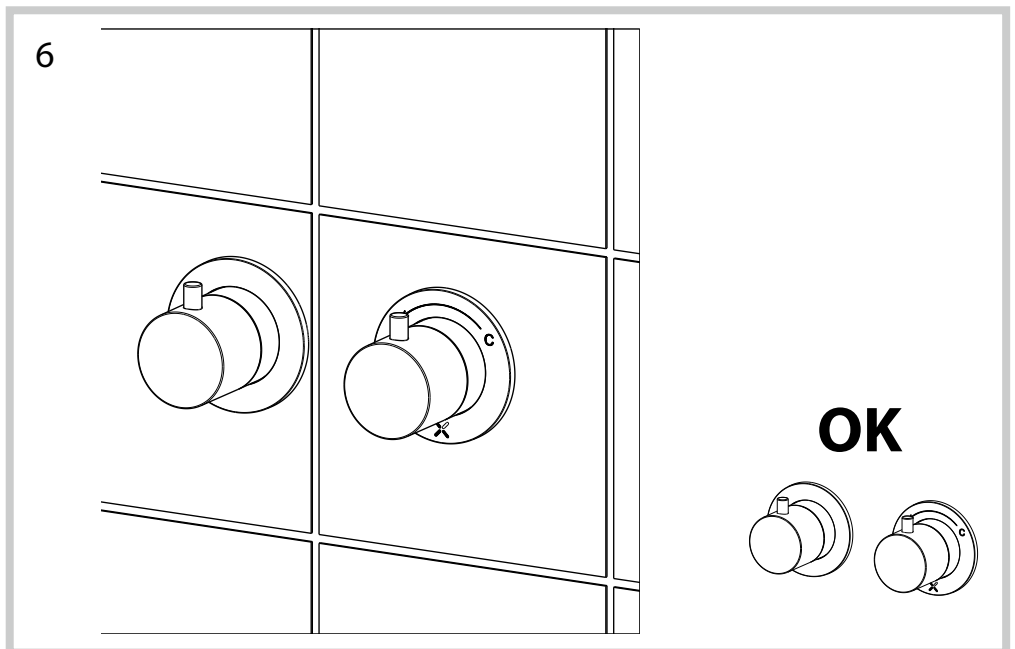
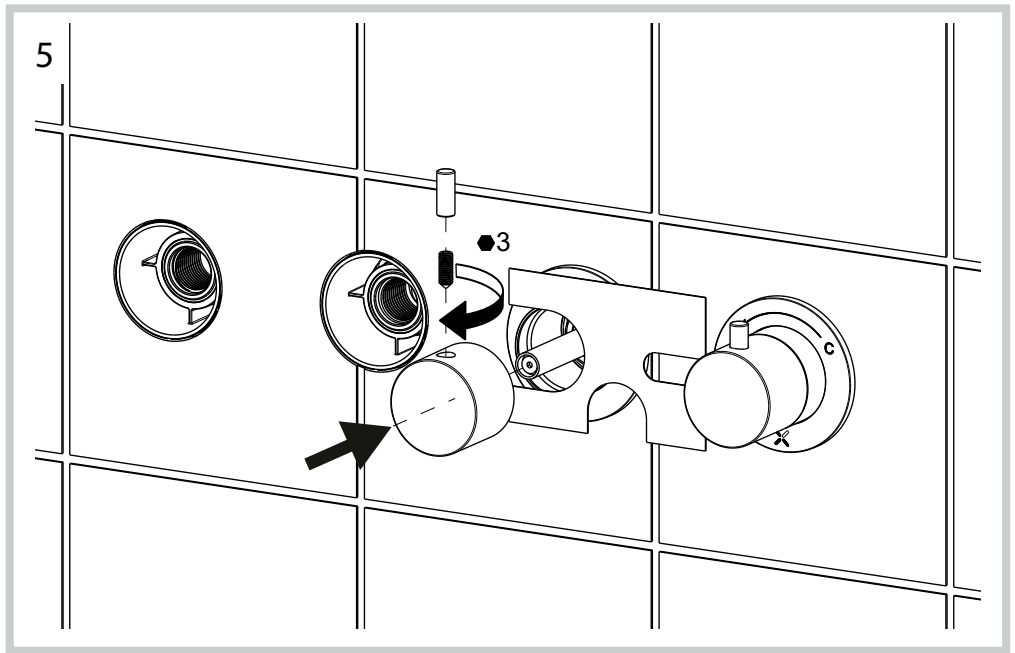
1



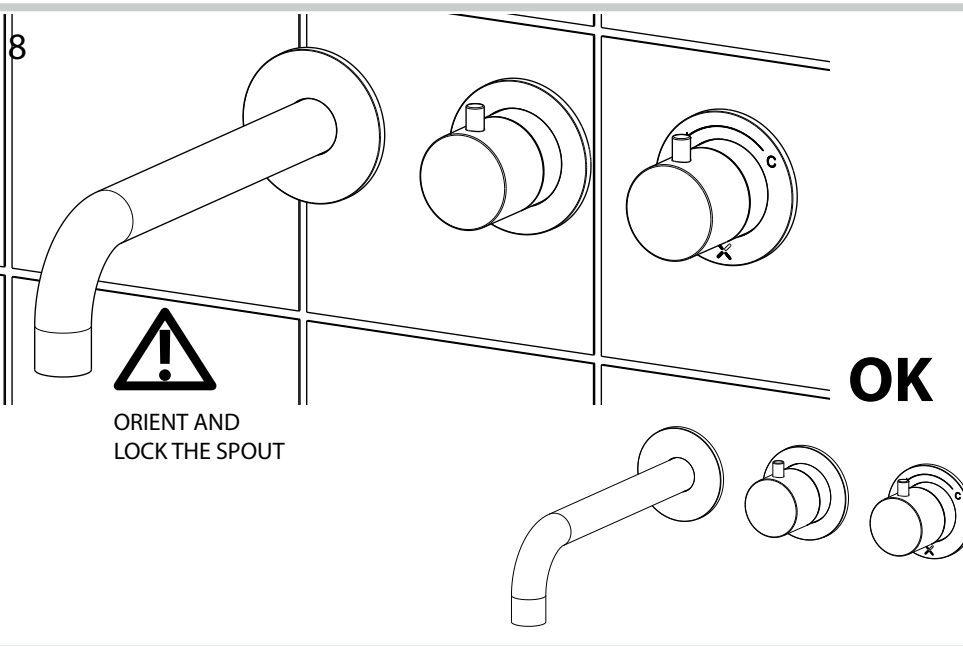
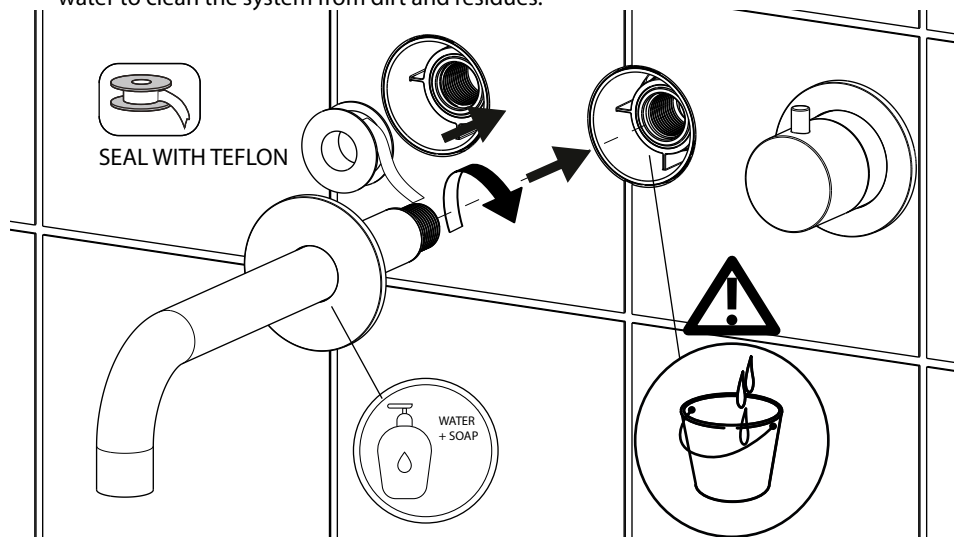
2

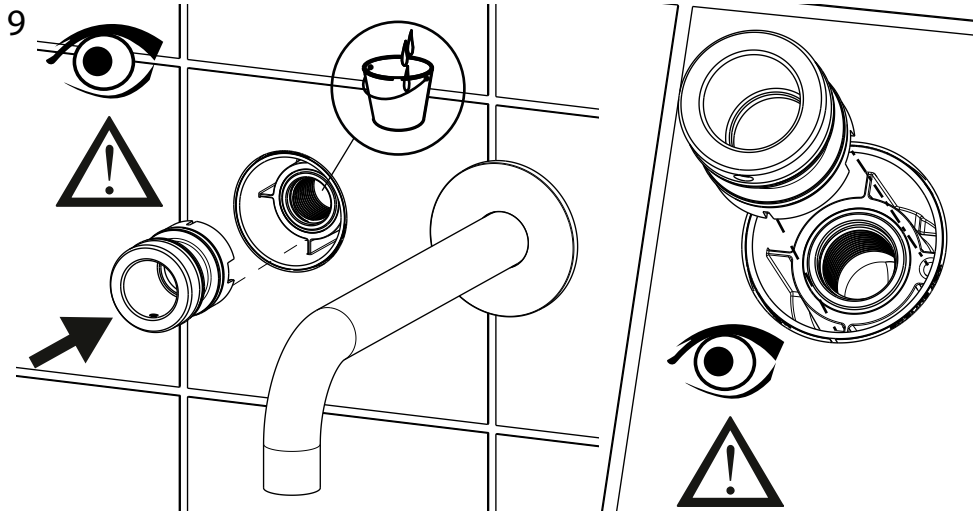




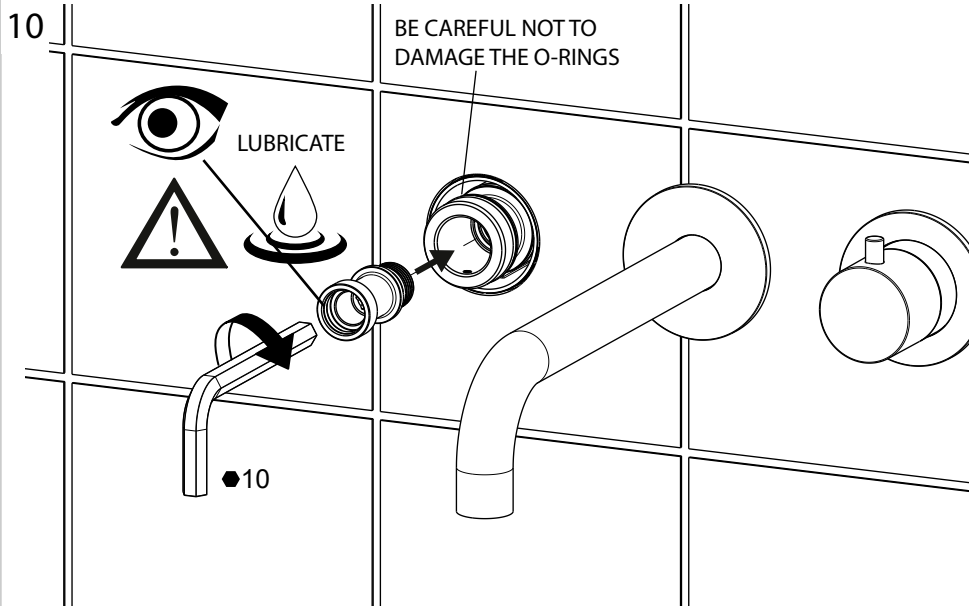


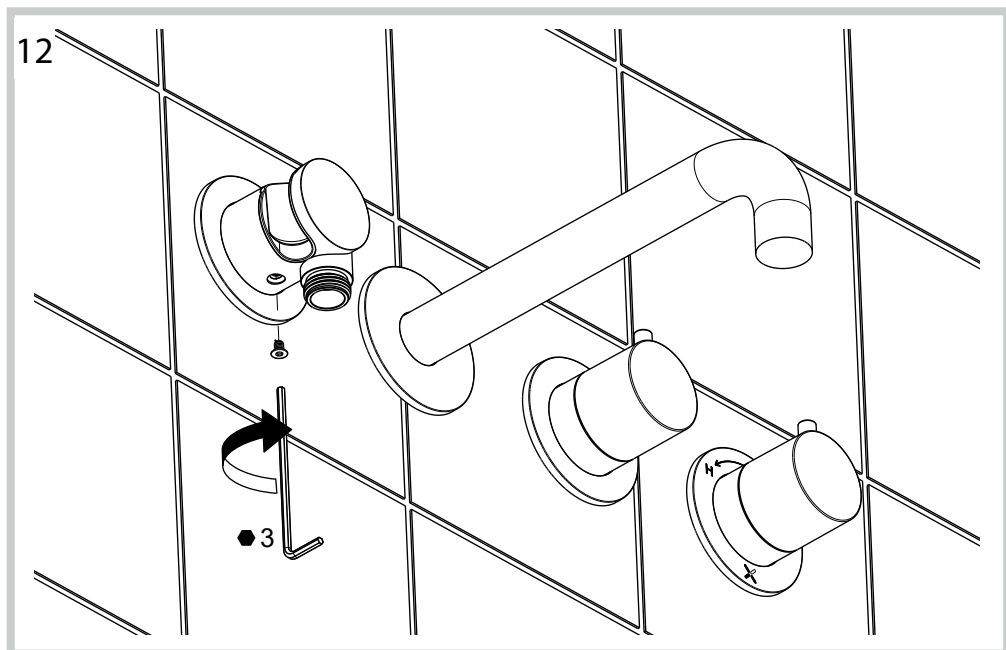
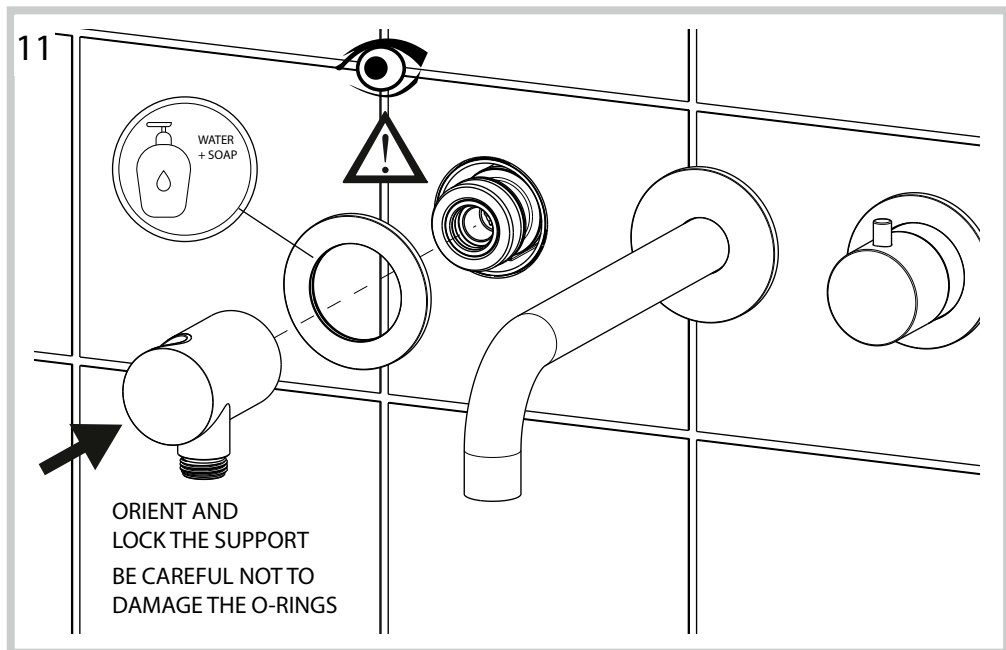
- 7 **ATTENTION: CHECK THE CLEANING OF THE INDICATED AREAS**
 Before proceeding with the installation of the aesthetic parts, drain a good quantity of water to clean the system from dirt and residues.



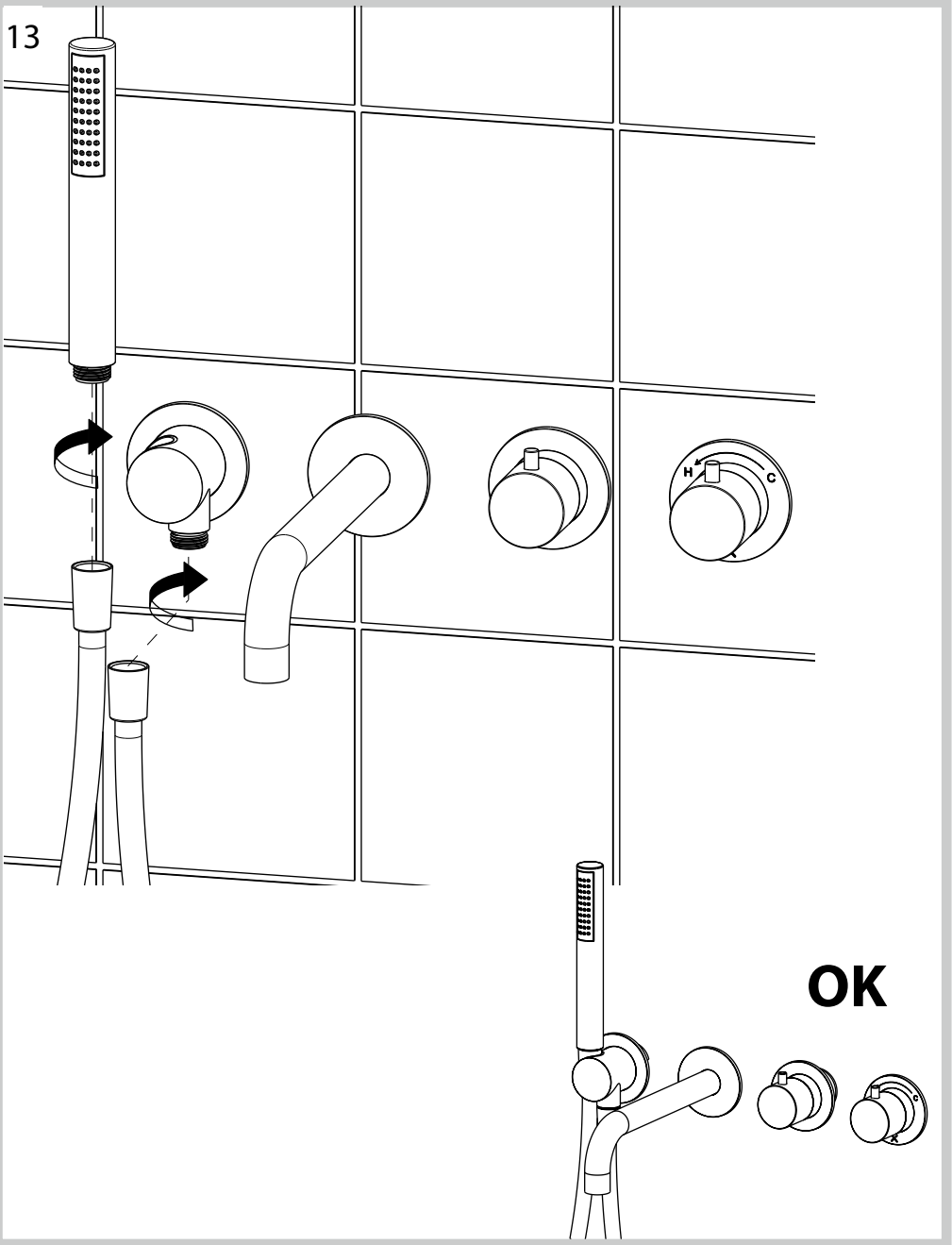


ATTENTION: CHECK THE CLEANING OF THE INDICATED AREAS
Before proceeding with the installation of the aesthetic parts,
drain a good quantity of water to clean the system from dirt and residues.

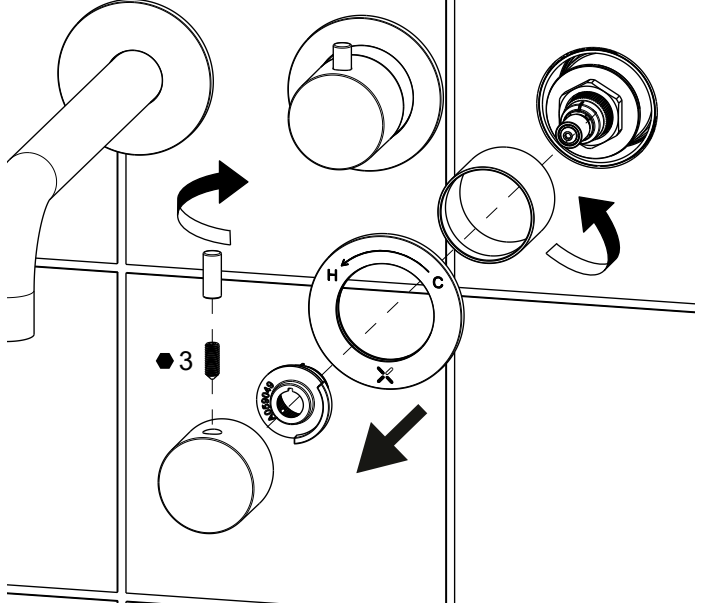
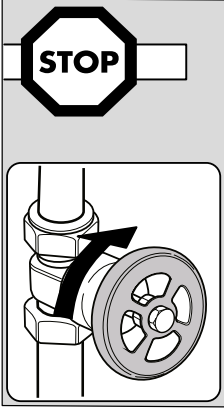




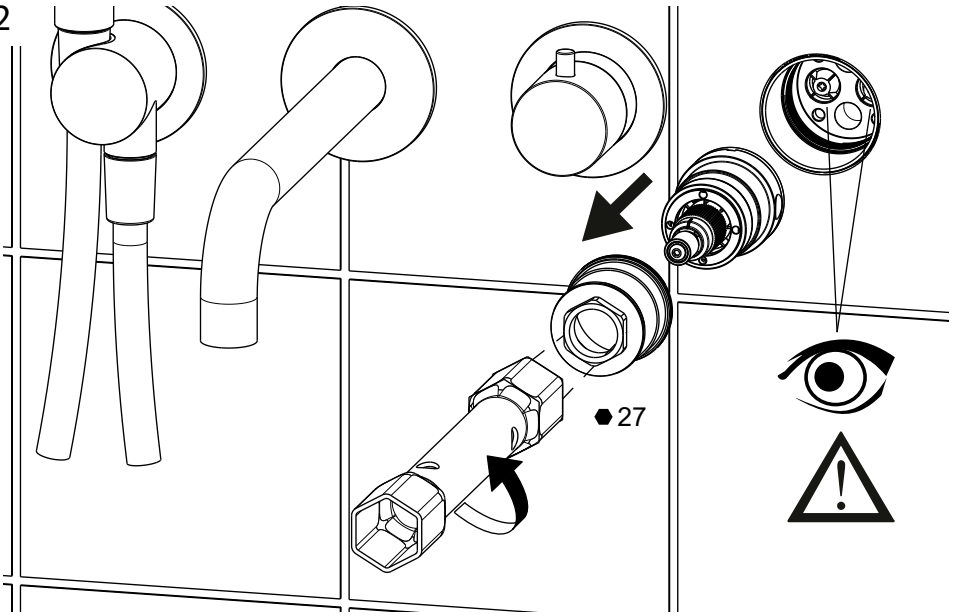
13

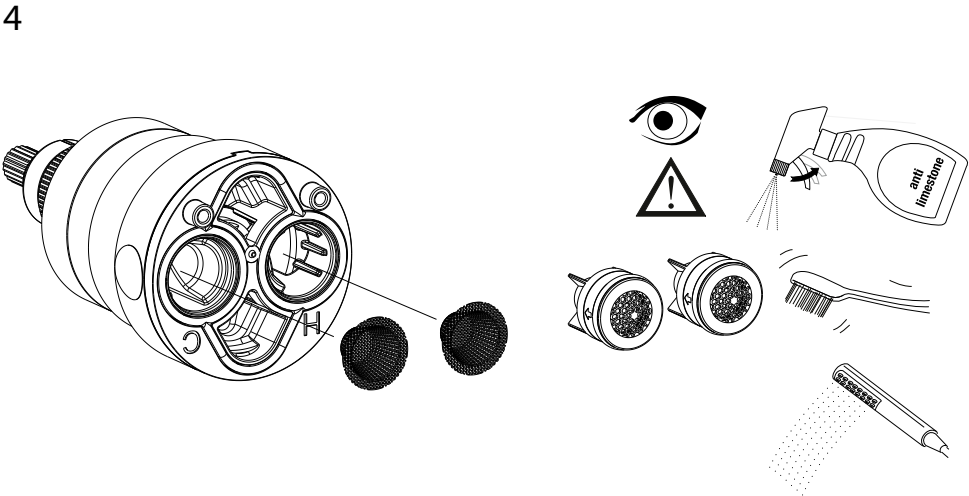
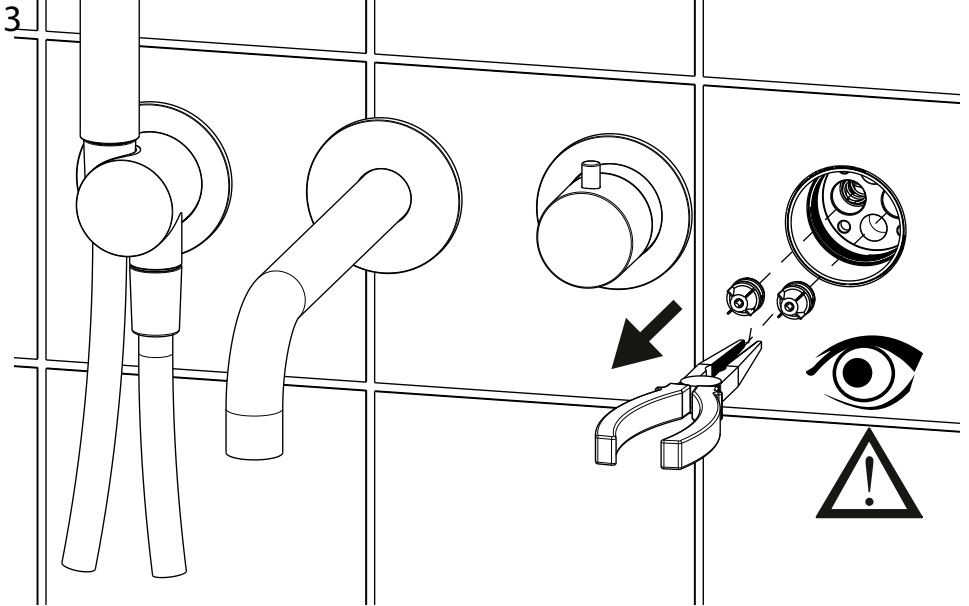


1



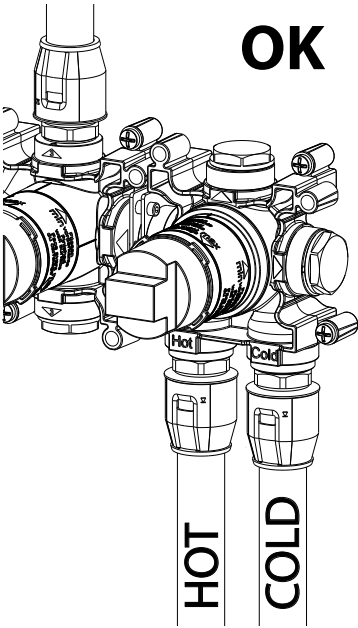
2



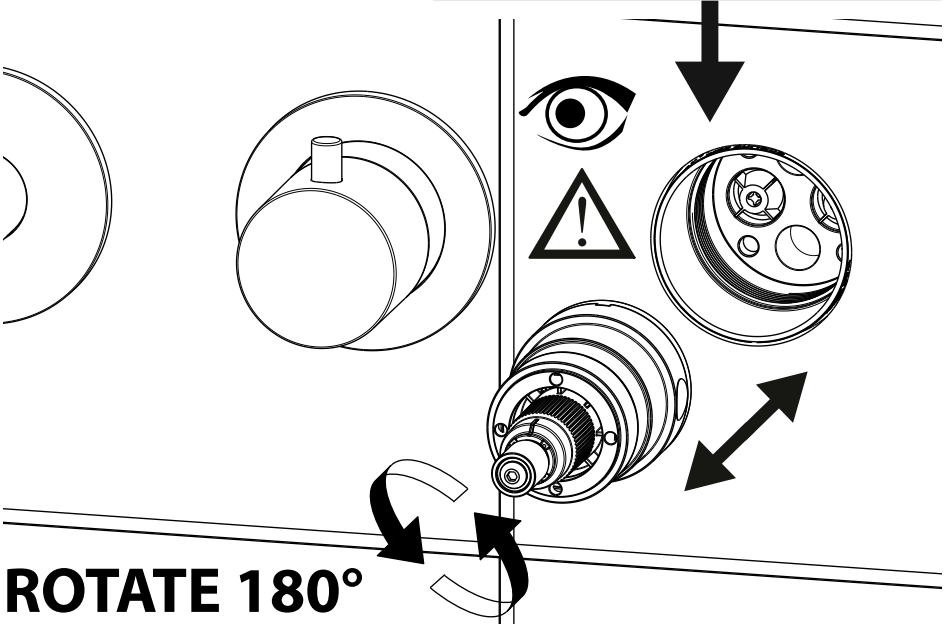
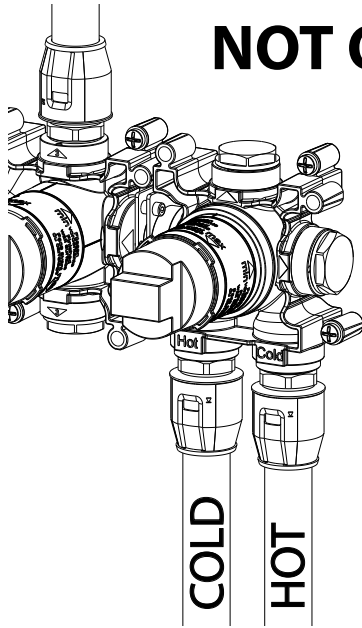


5

OK



NOT OK



ROTATE 180°