

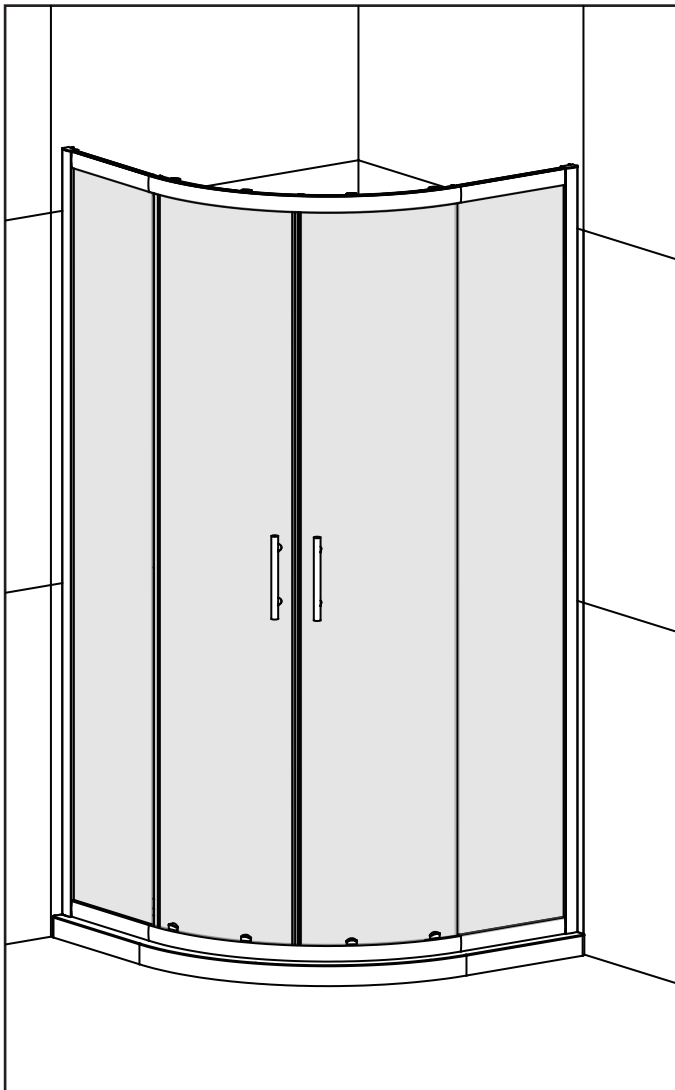
Double Door Quadrant

ASSEMBLY GUIDE

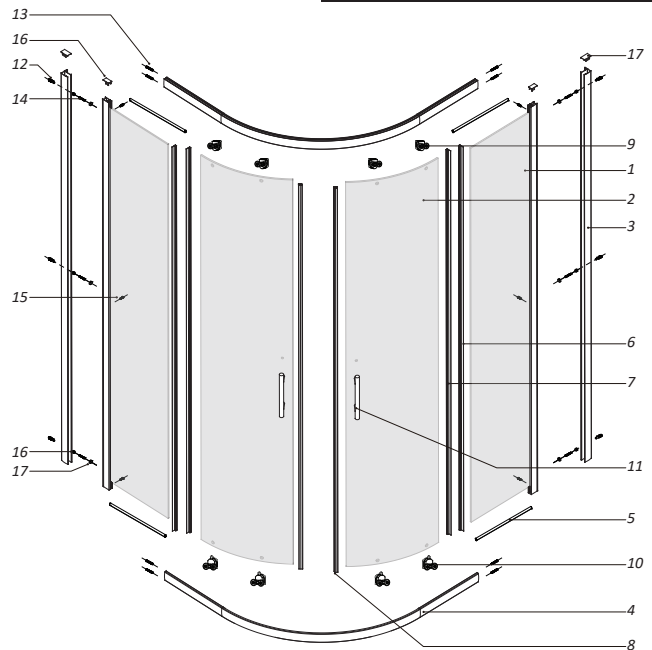
IMPORTANT

- 1.. The cubicle can be constructed either way up, for left or right hand opening.
- 2.. These instructions and list of parts assume that installation is done against solid or tiled walls. Hollow or "Stud - partition" walls will require alternative fixings. Please consult a hardware supplier for the correct type. It may also be necessary to consult your tiling supplier about the correct method for drilling your tiles.
- 3.. Please check this product for damage prior to starting the installation. No claims can be made after the products have been fitted, or after fitting has commenced.
- 4.. This is a 2 person installation.
- 5.. Please note the minimum and maximum adjustment for this product are based on perfectly plumb walls.

Tools Required *Please note hand tools NOT supplied.*

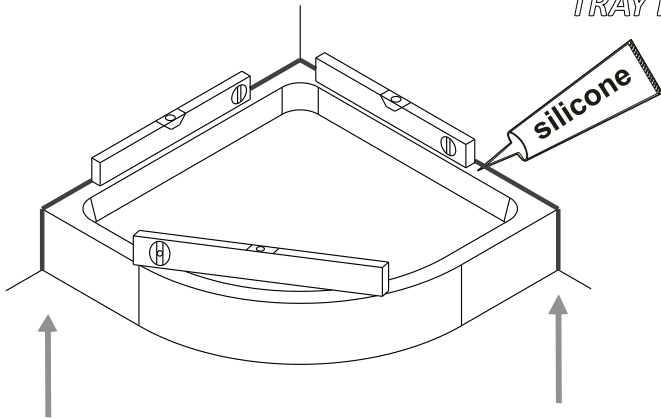


EXPLODED VIEW AND PARTS LIST



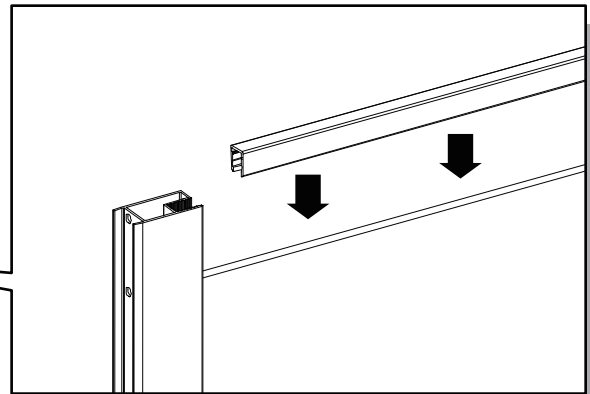
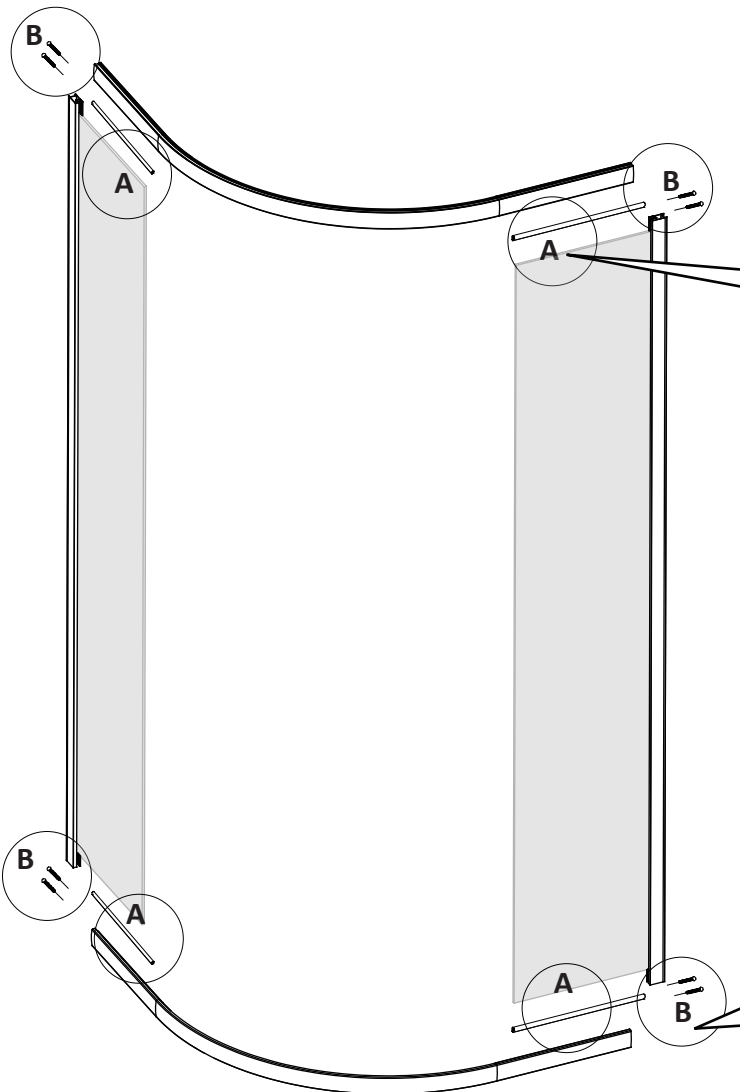
1.. Fixed panel		x 2
2.. Moving panel		x 2
3.. Wall channel	LR8654-S1S	x 2
4.. Top and Bottom profiles	LR8656-S1T & LR8656-S1B	x 2
5.. Gasket	303A	x 4
6.. Fixed panel vertical seal	304B-1	x 2
7.. Moving panel vertical seal	304B-2	x 2
8.. Magnetic strip	308GA-6	x 2
9.. Top runner	S1HW22	x 4
10.. Bottom runner	S1HW23	x 4
11.. Handle	S1HW24	x 2
12.. Wall plug	SBLTL001	x 6
13.. Horizontal frame fixing screw ST4x45	SBLTL014	x 8
14.. Wall profile fixing screw ST4x30	SBLTL013	x 6
15.. Vertical frame fixing screw ST3.5x12	SBLTL003	x 6
16.. Screw cover cup	S1PS07	x 12
17.. Screw cover cap	S1PS08	x 12
18.. Upright profile cap	S1PS05	x 2
19.. Wall channel cap	S1PS04L/R	x 2

*TRAY MUST BE SEALED FULLY AROUND
WHERE THE TRAY MEETS THE WALL
TRAY MUST BE 100% LEVEL IN ALL DIRECTIONS*



**TRAY MUST BE 100% LEVEL IN ALL DIRECTIONS
TRAY MUST BE SEALED FULLY AROUND WHERE
THE TRAY MEETS THE WALL**

Ensure the shower tray is level in all directions and is properly sealed to the wall. The wall must be tiled down to the top edge of the tray. Do not angle out bottom tile.

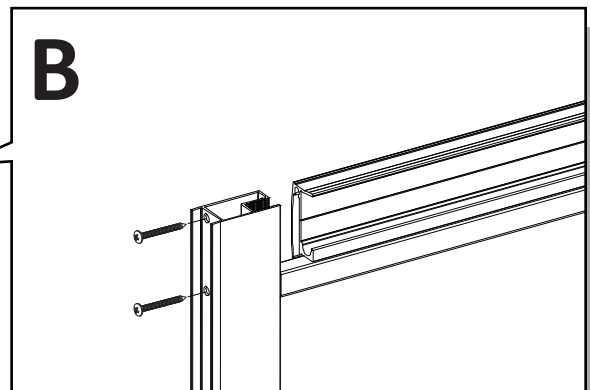


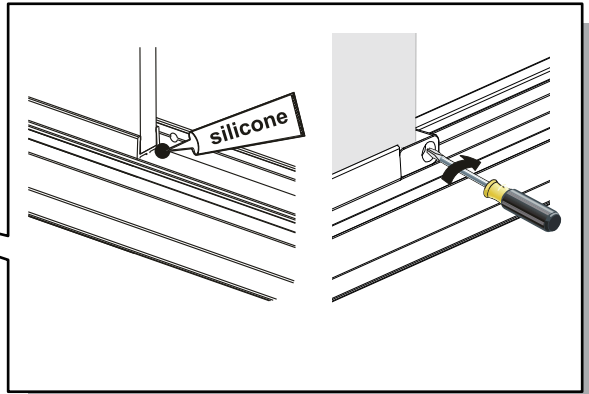
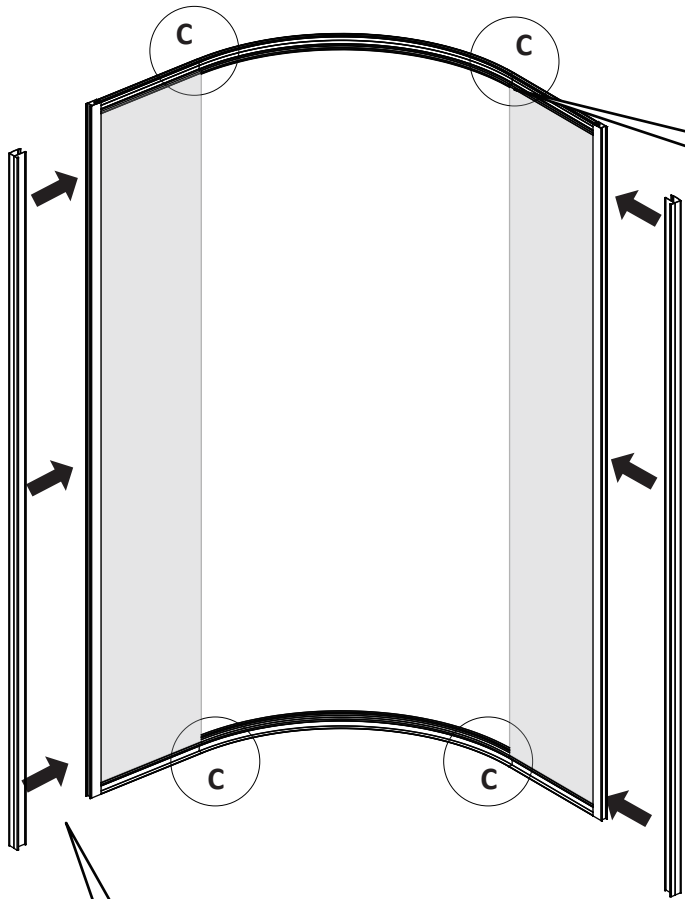
Step A

*Insert the gasket **303A** on the top and bottom of the fixed panel.*

Step B

*Fixed the top and bottom profile **LR8656-S1T & LR8656-S1B** with fixed panels using screw **SBLTL014**.*





Step C

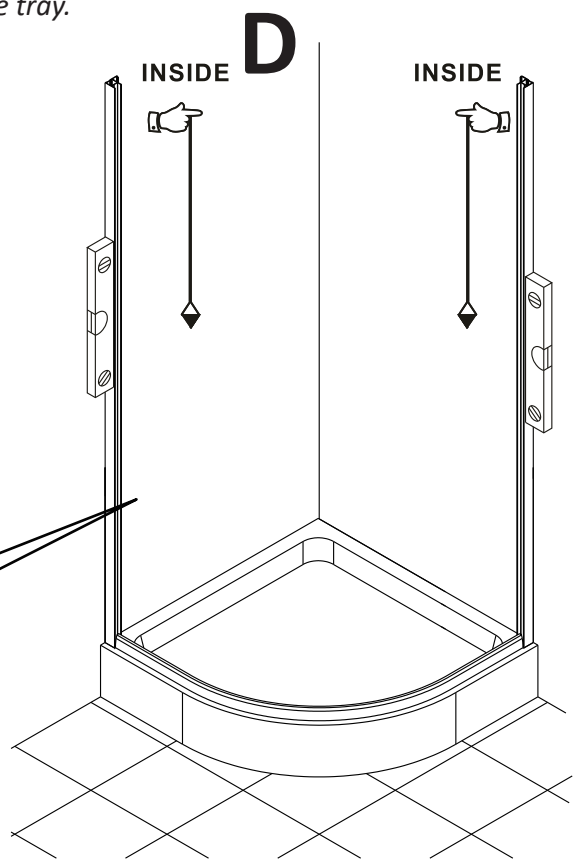
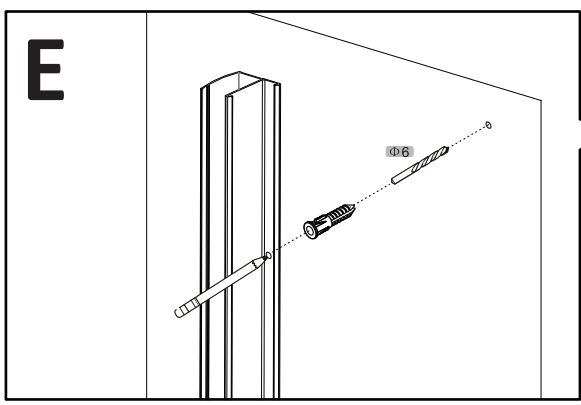
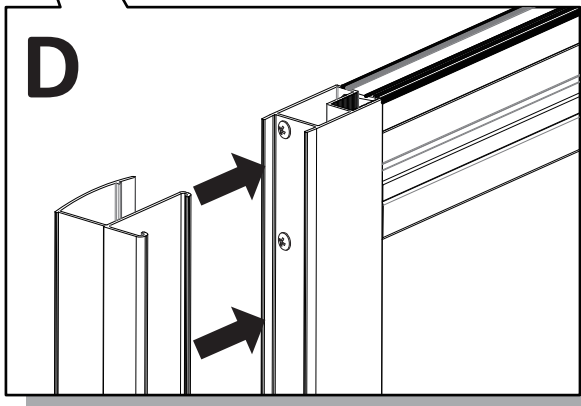
Put a small amount of silicone in the corner between the glass and the profile where the glass clips are fixed to the top and bottom profile. Then tighten the glass clips with screws as Fig.C shown, and put the glass clip caps on.

Step D

Position the assembled door frame (with wall profile fully pushed into frame) onto the tray and decide on the step in from the edge of the tray to wall profiles. The wall profiles can be adjusted until door is positioned correctly on the tray.

Step E

Position the wall profiles back on the tray ensuring the wall profiles are plumb, mark the position of the holes in the wall. Do this by marking the wall with a pencil through the pre-drilled holes in the wall profiles. Drill with 6mm masonry drill bit and insert wall plug **SBLT001**. Slot wall profiles into the door frame, then lift door onto the tray.



Step F

Fix the wall channel with screw cover cup **S1PS07** and screw **SBLTL013** to wall.

Step G

Install the top and bottom roller **S1HW22/S1HW23** to the top and bottom holes of the moving panel. See G.1 and G.3. Slot rollers into the top profile and then clip in the bottom rollers as shown in G.4, G.5 and G.6.

Step H

Drill 3 equally spaced holes with 3mm drill bit through the wall profile and frame. Fix the frame to the wall profile with screw cup **S1PS07** and screw **SBLTL003**. Then put the screw cap **S1PS08** on.

Step I

Attach the magnetic strips **308GA-6** to the moving panels. Adjust the magnetic strips to ensure there is no gaps when the door is closed.

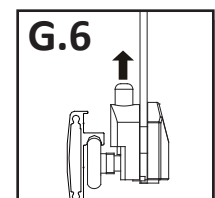
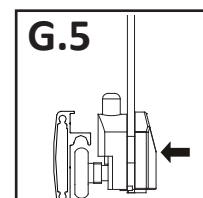
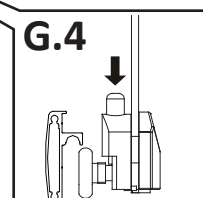
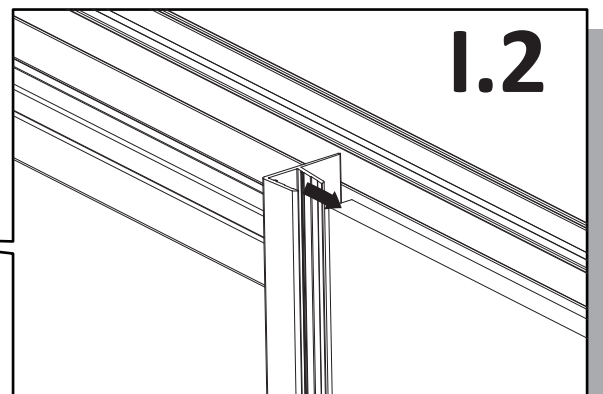
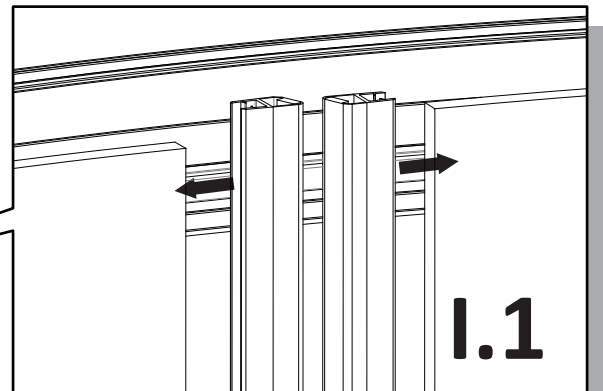
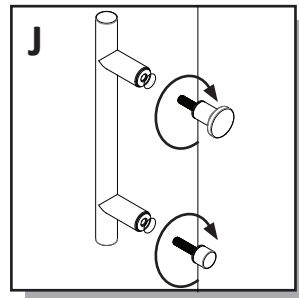
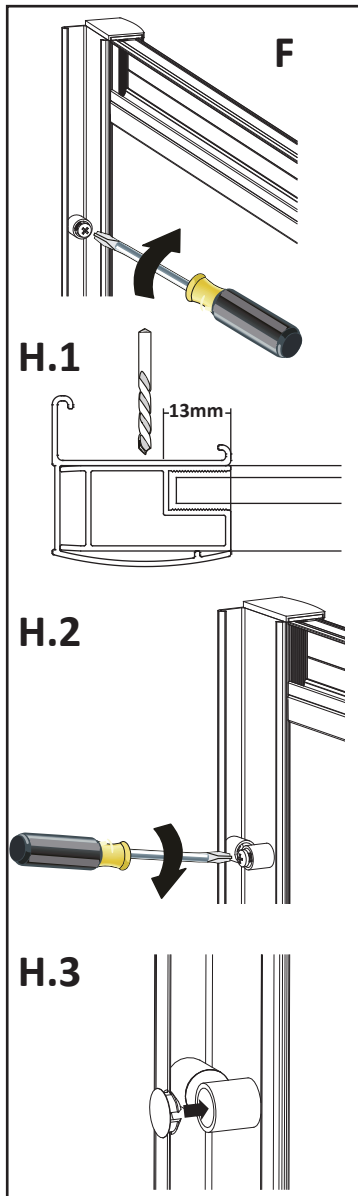
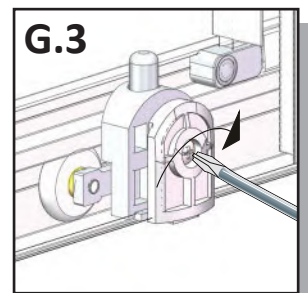
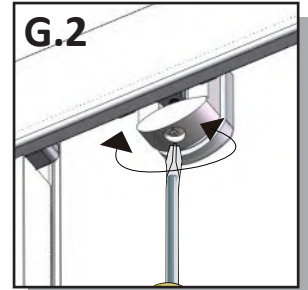
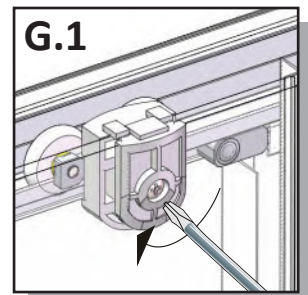
Attach the Fixed panel vertical seal **304B-1** to the fixed panels.

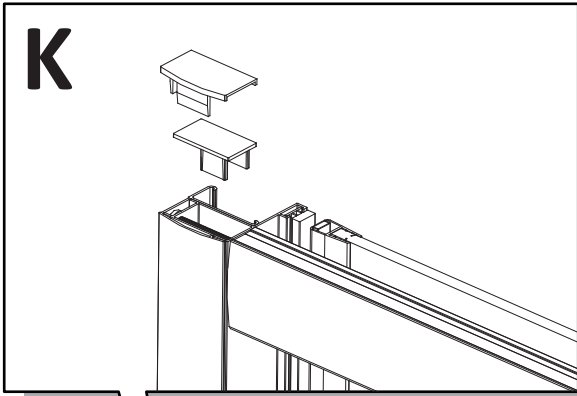
Attach the Moving panel vertical seal **304B-2** to the end of moving panels.

Step J

Assemble the handle **S1WH24** onto moving panels.

Note: To ensure the correct rolling action and the door closes on the profile evenly, adjust the roller by adjusting the screw clockwise or anticlockwise as shown in G.2.



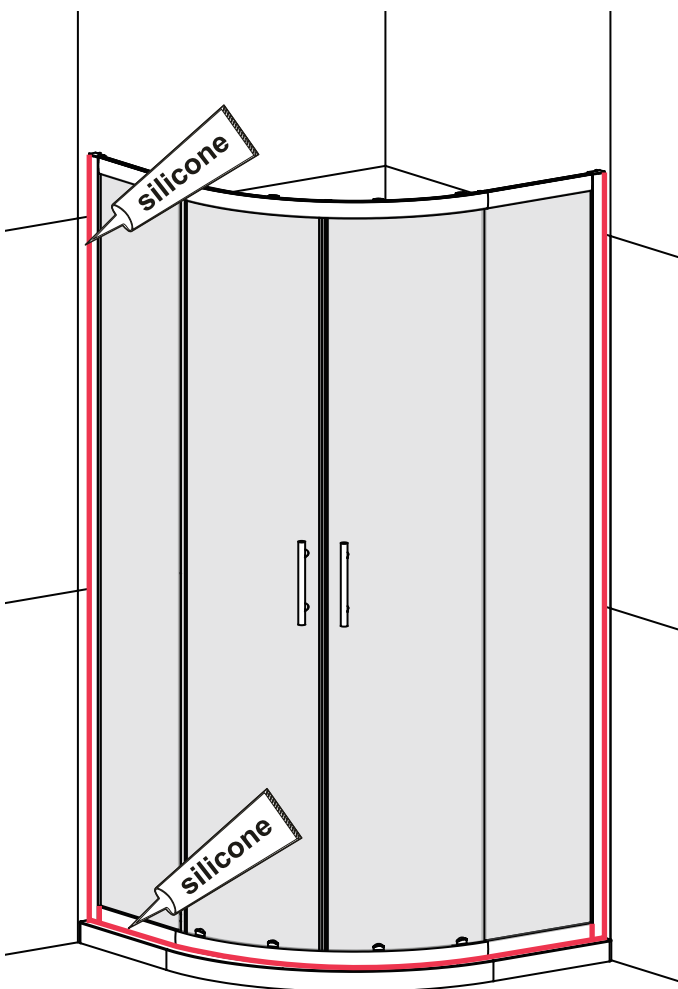


24 HRS



DO NOT USE THE ENCLOSURE FOR 24 HOURS AFTER SEALING

L



Step K

Put the upright profile cap S1PS05 and wall channel cap S1PS04L/R on.

Step L

Applying Silicone Sealant

When applying silicone sealant follow the red line shown in the diagram on the outside only.

IMPORTANT: *Do not apply sealant on inside of the tray where the door meets the tray horizontally.*

Sealing Outside

Seal horizontally between the tray and the bottom profile. Also seal vertically around 30mm between the wall channel and wall and also between the wall channel and the vertical profile.