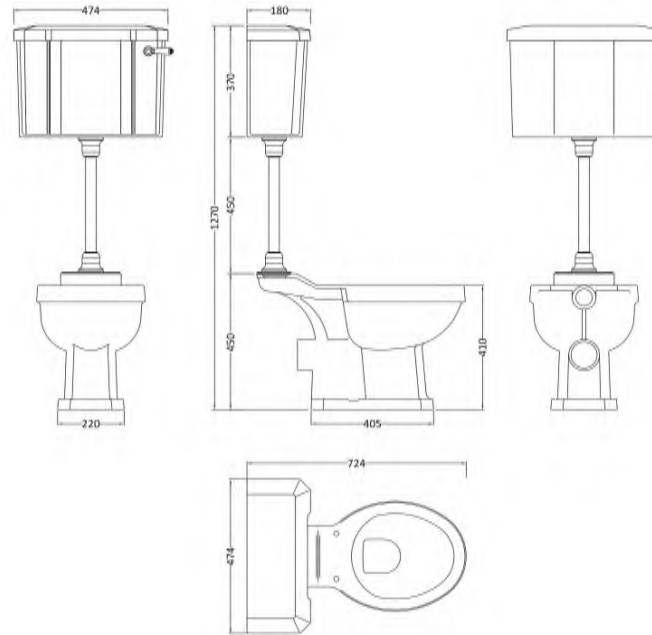


Sales Code: Ccr036

Description: Richmond Mid Level Wc W/ Flush Pipe Kit

Packaging Details

Barcode: 5056211892359



Sales Code: NCS880

Description: Toilet Pan C/C (Excluding Seat)



Product Dimensions

Height (mm):	450
Width (mm):	353
Depth (mm):	690
Nett Weight (kg):	20.42

Packaging Dimensions

Height (mm):	335
Width (mm):	700
Depth (mm):	450
Gross Weight (kg):	21.5

Packaging Data

Box Colour:	Brown Cardboard Box - Printed
Box Qty:	1
Label Size:	100 x 50
Label Colour:	Not Applicable
Label Qty:	0

Outer Box Dimensions (If Applicable)

Height (mm):	
Width (mm):	
Depth (mm):	
Gross Weight (kg):	
Barcode:	5055369040100

Product Details

Country of Origin:	China
Fitting Instruction:	No
Certification:	CE: N/A WRAS: N/A WRAS No: N/A
Product Material:	Vitreous China
Fixing Supplied:	No

Pans/Bidets: Trap Style: P Trap Includes Seat: No

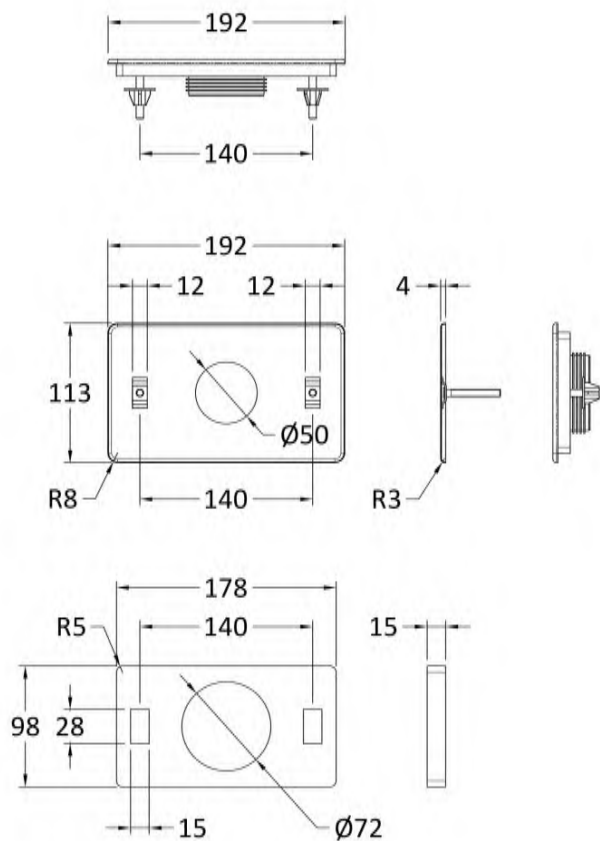
Seats: Seat Type: Round Material: Not Applicable
 Function: Not Applicable Hinge Type: Top & Bottom Fix
 Hinge Material: Not Applicable

Cisterns: Operating Type: Not Applicable Fittings: Not Applicable
 Lever Type: Not Applicable

Basins: Tap Hole: Not Applicable Chain Stay Hole: Not Applicable
 Template: Not Applicable Waste Type Req: Not Applicable
 Overflow Inc: Not Applicable Overflow Cover: Not Applicable
 Inner Bowl Depth (mm): N/A

Sales Code: FA303

Description: Mid-Level Cover Plate, Pad & Seal Ring



Product Dimensions

Length (mm):	
Width (mm):	192
Height (mm):	4
Depth (mm):	113
Nett Weight (kg):	0.2

Packaging Dimensions

Height (mm):	260
Width (mm):	75
Depth (mm):	95
Gross Weight (kg):	0.24

Packaging Data

Box Colour:	White Cardboard Box
Box Qty:	1
Label Size:	100 x 50
Label Colour:	White Label
Label Qty:	2

Outer Box Dimensions (If Applicable)

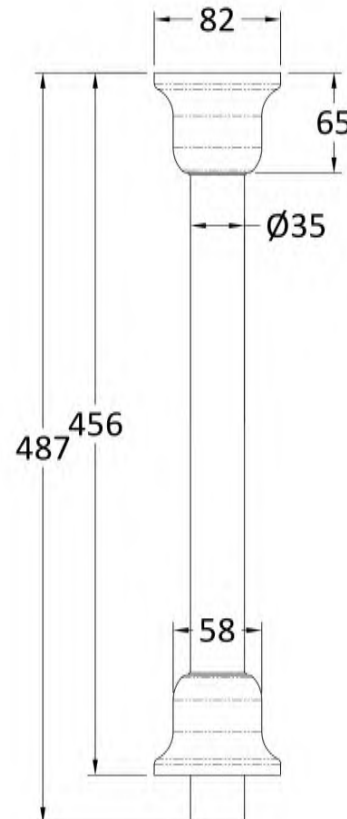
Height (mm):	
Width (mm):	
Length (mm):	
Depth (mm):	
Gross Weight (kg):	
Barcode:	5056211883890

Product Details

Country of Origin:	China
Fitting Instruction:	No
CE Certification:	N/A
Product Material:	Brass
Heating Element Wattage:	Not Applicable
Colour/Finish:	Chrome
Product Diameter:	
Connection Size:	

Sales Code: FA304

Description: Mid-Level Straight Flush Pipe



Product Dimensions

Length (mm):	
Width (mm):	82
Height (mm):	456
Depth (mm):	82
Nett Weight (kg):	0.4

Packaging Dimensions

Height (mm):	100
Width (mm):	115
Depth (mm):	515
Gross Weight (kg):	0.48

Packaging Data

Box Colour:	White Cardboard Box
Box Qty:	1
Label Size:	100 x 50
Label Colour:	White Label
Label Qty:	2

Outer Box Dimensions (If Applicable)

Height (mm):	
Width (mm):	
Length (mm):	
Depth (mm):	
Gross Weight (kg):	6
Barcode:	5056211883906

Product Details

Country of Origin:	China
Fitting Instruction:	No
CE Certification:	N/A
Product Material:	Brass
Heating Element Wattage:	Not Applicable
Colour/Finish:	Chrome
Product Diameter:	
Connection Size:	