

Portland

Heated Towel Rail

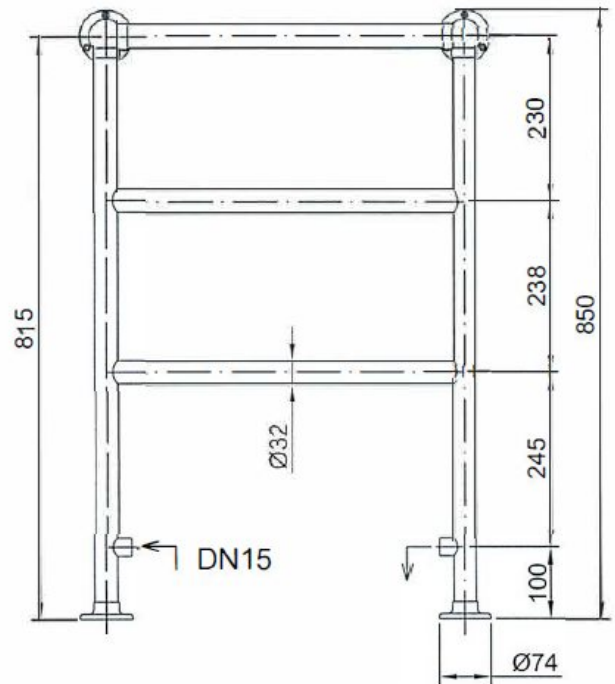
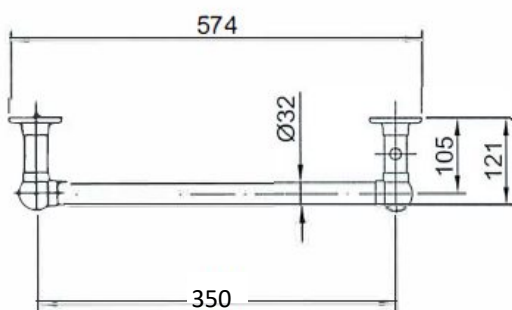
Product Specification

| | |
|--------------------------------------|---|
| Product Codes & Finishes: | AHC76 (Chrome) AHA76 (Vintage Gold) |
| Product Type: | Classic |
| Construction: | Body is of Steel Construction and is designed to conform to BS EN 442 |
| Supply: | Suitable for closed central heating sys |
| Output: | 528 BTU (155 Watts) |
| Valve Centres: | 350mm |
| Dimensions for Fitting: | 850 (H) mm, 574 (W) mm, 121 (D) r |



Additional Information

- Chrome Plated to BS EN 248
- Includes Valves in Chrome & Gold finish
- Suitable for Closed Central Heating Systems Only
- 5 Year Guarantee



Technical Advice: For further information please call 0844 701 8503 or email technical@heritagebathrooms.com.

Guarantee: 5 Year Guarantee covering manufacturing faults.