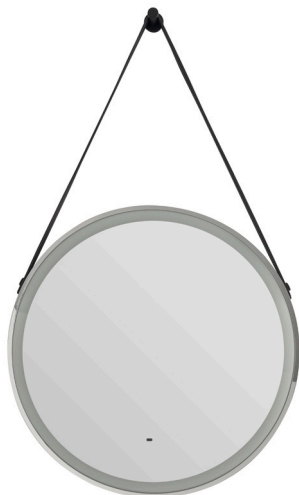


MAMC800

AMBERLEY Furniture Range Amberley Illuminated Circular Mirror (with Hanging Strap) 800mm Chrome



Features:

- LED lighted mirror with edge-lit diffuser
- IR sensor allowing for contactless control
- On/off dimming capability
- Colour temperature changing with 3 options, 3000k, 4000k and 6500k
- Demister function

Product Certifications:



This product contains a light source of energy efficiency class F.

Additional Information:

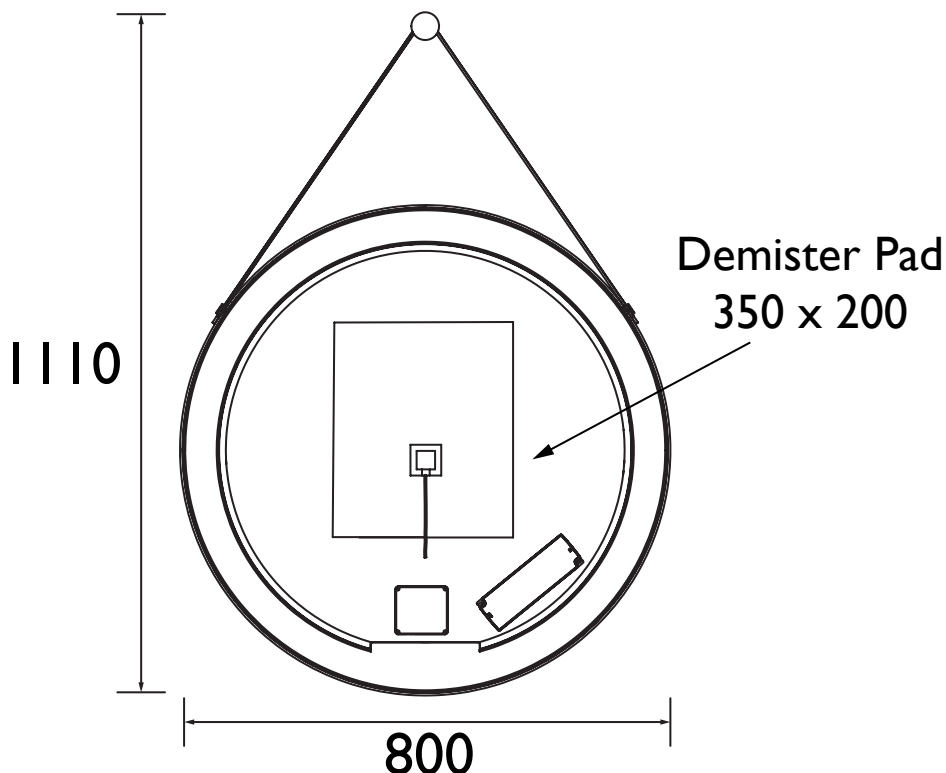
Variant SKUs:

- MAMBL800 - Black

Specification

| | |
|-----------------------------|--|
| Main Construction Material: | Glass |
| Finish: | Chrome |
| Weight (kg): | 6.25 |
| Assembly Required: | No |
| Mounting Type: | Wall Mounted |
| Orientation: | N/A |
| Height (mm): | 1110 |
| Width (mm): | 800 |
| Total Power (w): | 45 |
| Input: | AC220 - 240v - 50/60Hz |
| Connection: | 0.9m Power Cable |
| What's In The Box? | 1 x Mirror 1 x Fitting Instructions 1 x Wall Hook and Bracket 3 x Wall Plugs and Screws 2 x Strap Screws |

Dimensions (measurements in mm)



TECHNICAL DATA SHEET



HERITAGE[®] BATHROOMS

DI