

Clifton

Heated Towel Rail

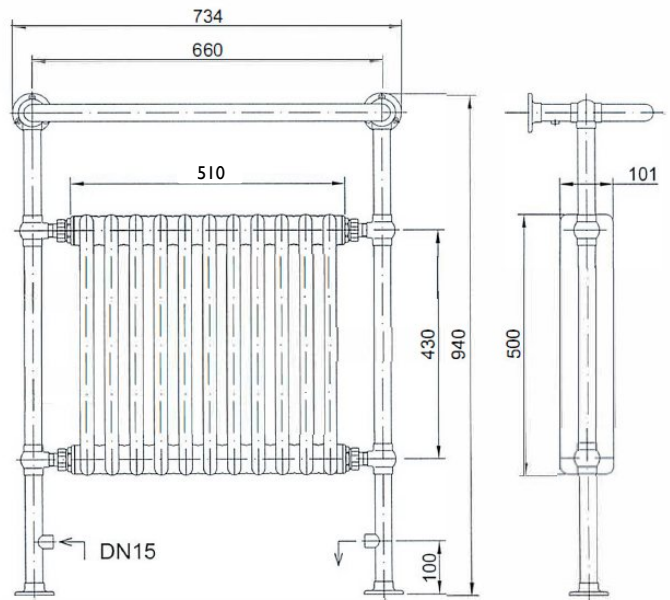
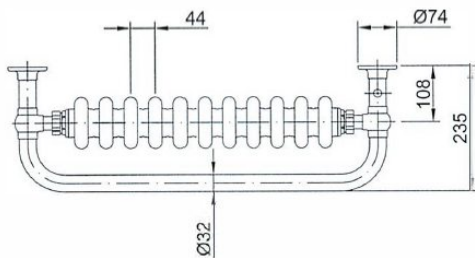
Product Specification

Product Codes & Finishes:	AHC73 (Chrome/White) AHA73 (Antique Gold/White) Classic
Product Type:	Body is of Steel Construction and is designed to conform to BS EN 442
Construction:	Suitable for closed central heating systems
Supply:	2340 BTU (686 Watts)
Output:	510mm (with valves) 590mm (without valves)
Valve Centres:	940 (H) mm, 674 (W) mm, 128 (D) mm
Dimensions for Fitting:	



Additional Information

- Chrome Plated to BS EN 248
- Includes Valves in Chrome & Gold Finish
- Suitable for Closed Central Heating Systems Only
- 5 Year Guarantee



Technical Advice: For further information please call 0844 701 8503 or email technical@heritagebathrooms.com.

Guarantee: 5 Year Guarantee covering manufacturing faults.