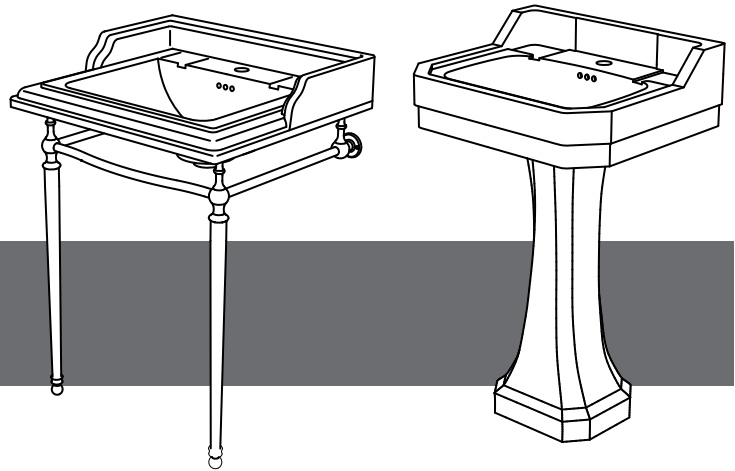


Basin Stand - T21A CHR/T22A CHR/T23A CHR/T24A CHR/
T25A CHR/T49A CHR/T50 CHR/T51 CHR/T52 CHR
Basin Stand - U S-T49 ACHR/ANKL
Basin Pedestal - US-P1
Basin Pedestal - US-P6



Installation Instructions

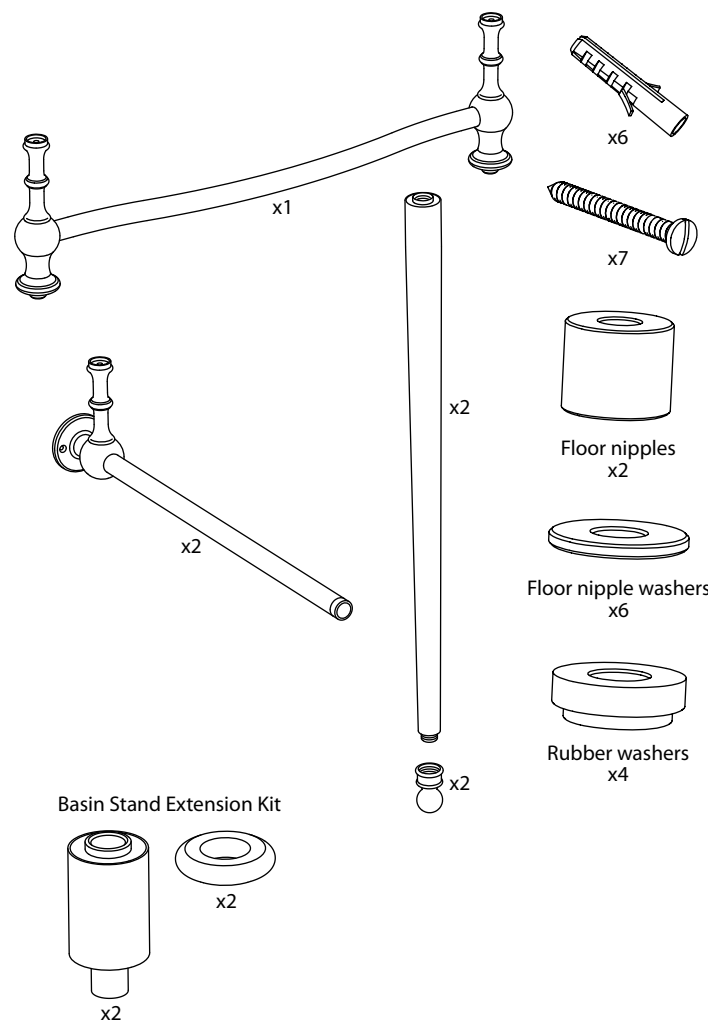
Introduction

All parts have been fully inspected throughout the production process and only leaves our factory after a 15 stage QC process.
 Carefully remove the items from the box and check that all parts have been supplied.
 Installation should be completed by at least two suitably competent installers
 Before beginning installation, please check for any damage that may have occurred during transport.
 Improper installation shall result in loss of warranty in case of damage caused by impacts or rubbing against rough surfaces.
 The wall fixings supplied may not be suitable for your installation. You may need to source alternatives depending on the material and strength of the wall you are fixing to.
IMPORTANT: Please read these instructions carefully before you begin and retain for future reference.
We do not accept responsibility for any problems that may occur through incorrect installation.

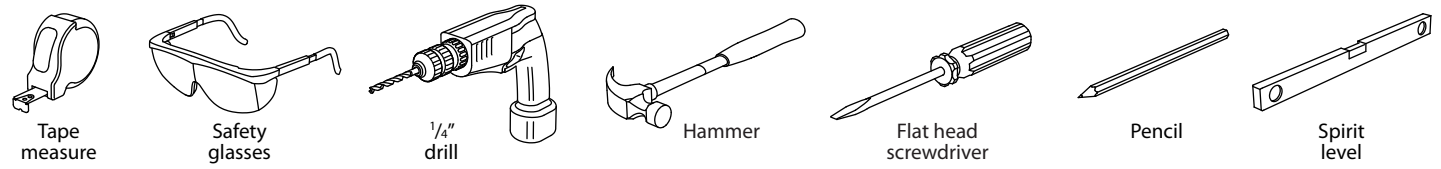
Installation notes

NOTES: The installation must comply with all plumbing codes including local codes and be installed by a licensed plumbing contractor.
 Assemble the parts on a mat to protect against scratching the surface.
 Avoid getting cement, grit, sand or masonry products on to the surface.
 Protect and cover the items during installation, other tradesmen might damage them if no precautions are taken.
INSTALLATION: Remember to turn off the mains water supply before connecting to any existing pipe work or doing any maintenance.
WARNING! Please check for any hidden pipes and cables, electric or otherwise before drilling holes in a wall or floor.

Parts supplied - basin stand



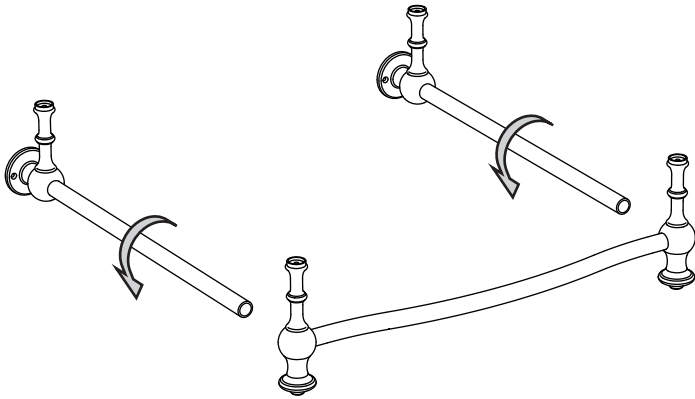
Tools required



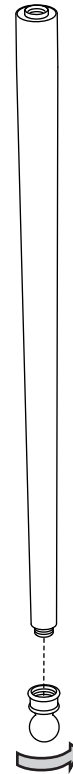
1 Installation - basin stand

Please make sure you have the correct basin suitable for the basin legs, US-B15 is recommended.

2 Attach the two horizontal rails to the front rail.

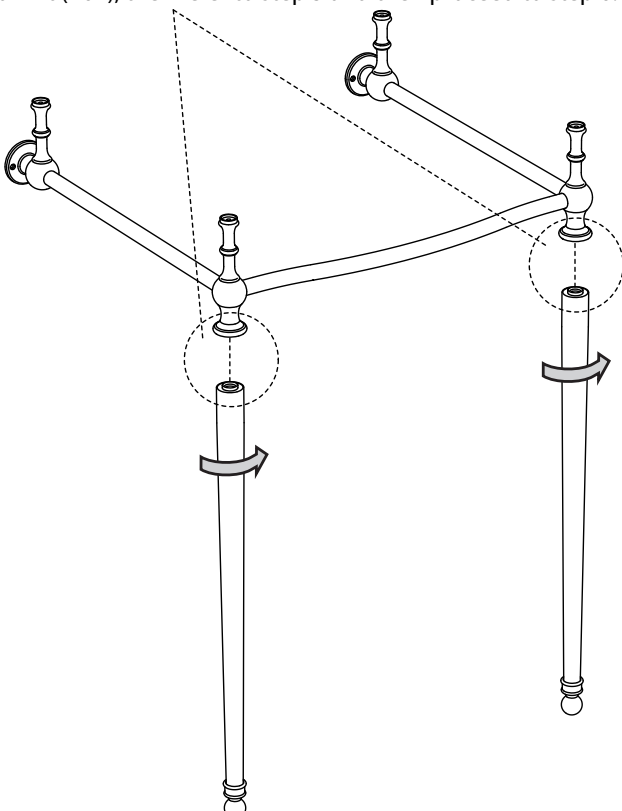


3 Attach both feet to the legs.

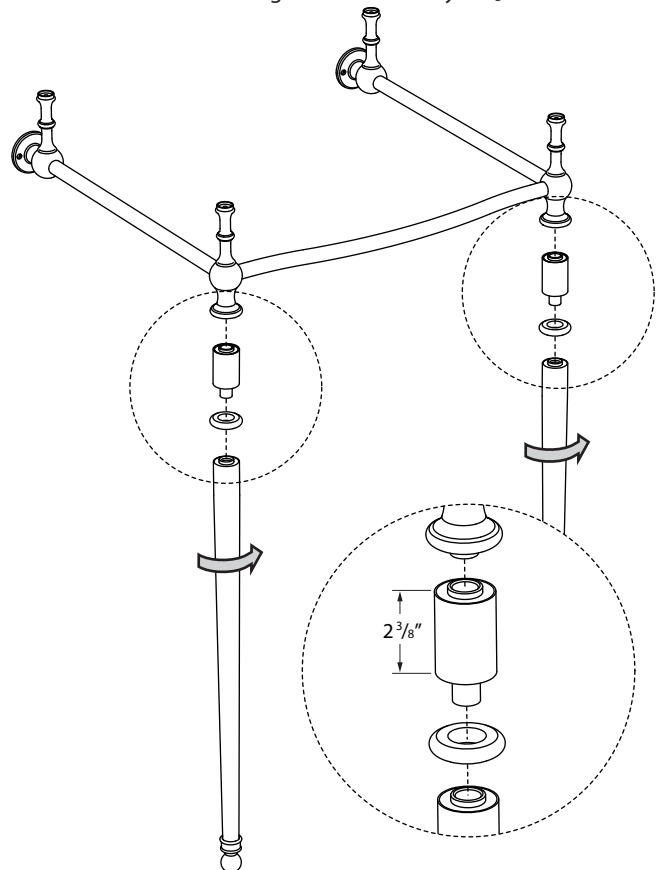


4 Screw the legs into the rail.

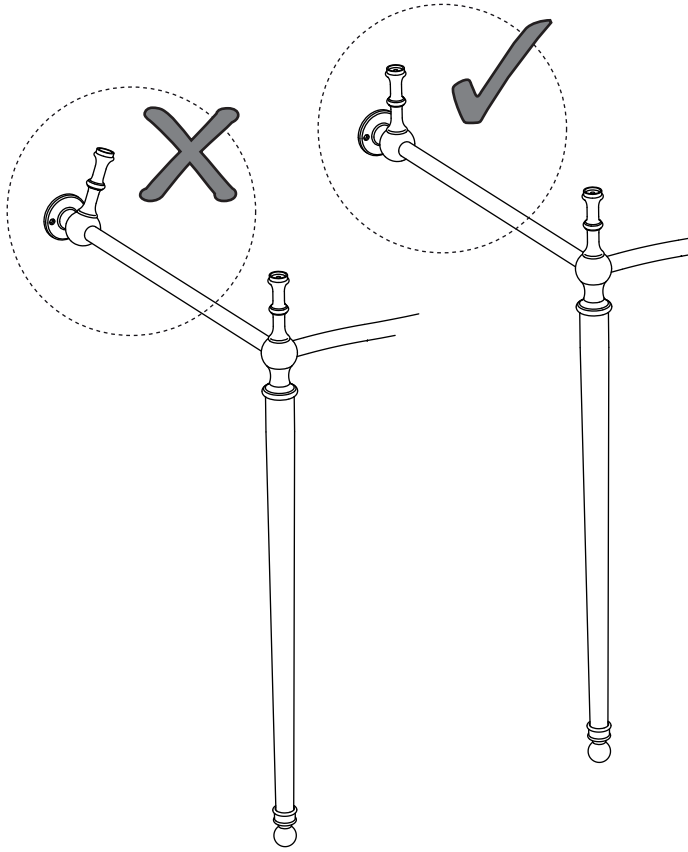
NOTE: at this stage, if you are using the regal designer basin stand Extension kit (T62), then refer to step 5 and then proceed to step 6.



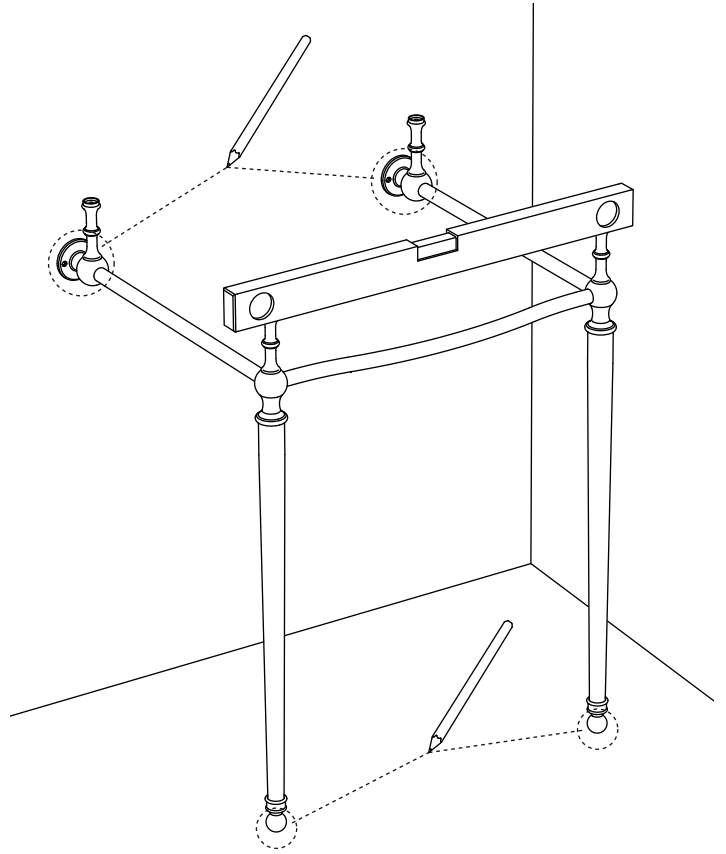
5 If the regal designer basin stand extension kit is being installed, please refer to the illustration shown below. The kit will raise the final height of the basin by $2\frac{3}{8}$ ".



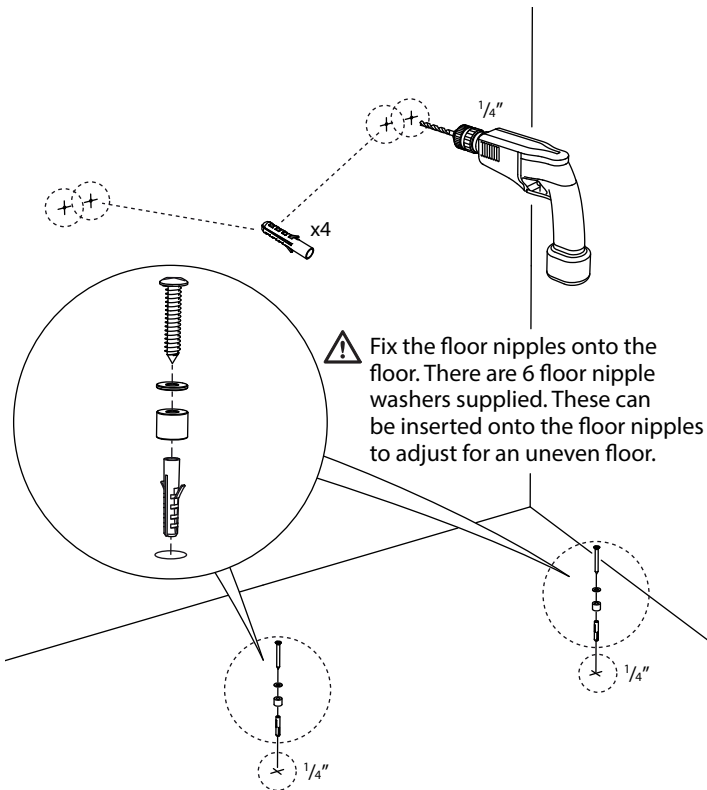
6 Check that the horizontal bracket bar is vertical using a spirit level.



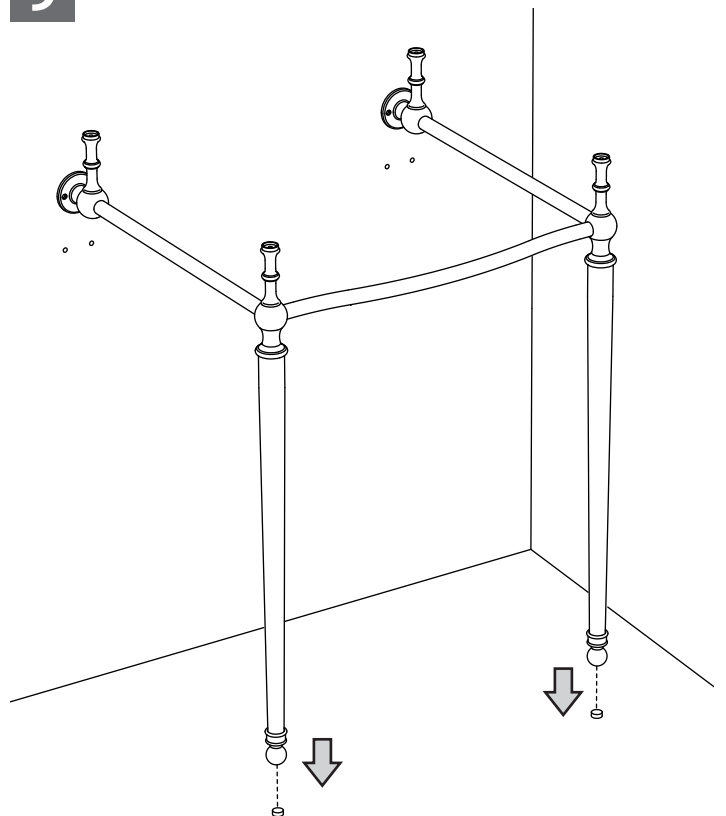
7 Determine the final installation position and mark the 4 wall and two floor fixing hole positions in pencil. Please make sure to include the floor nipples (and washers if necessary) when determine the installation position because the stand may elevate after the floor nipples are fitted.



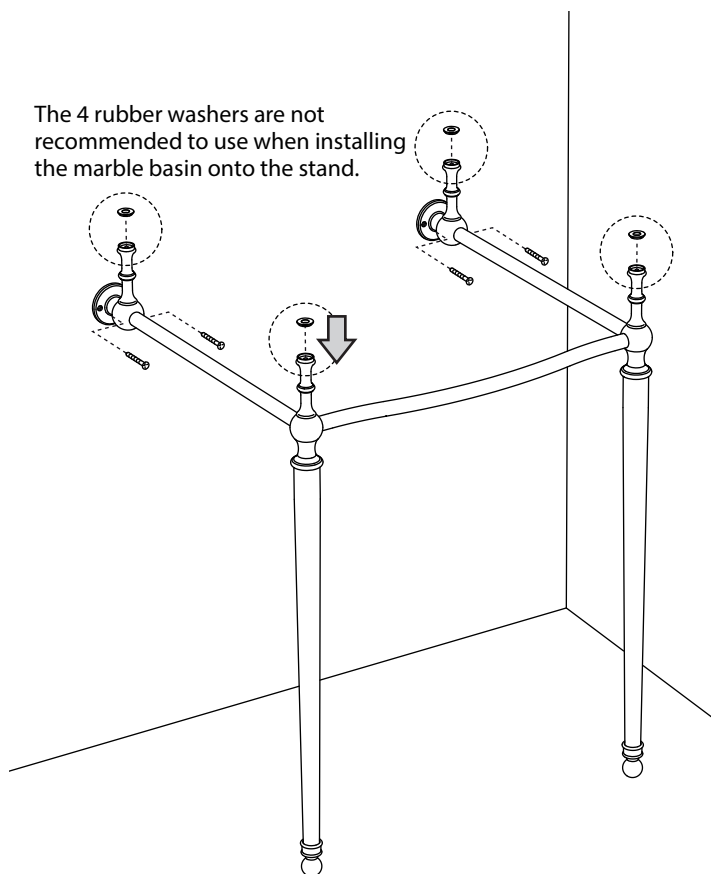
8 Using a 1/4" drill bit drill the six holes on the marked positions. **Note:** In the event that the wall / floor fixings supplied being inappropriate for the wall / floor, please source alternatives.



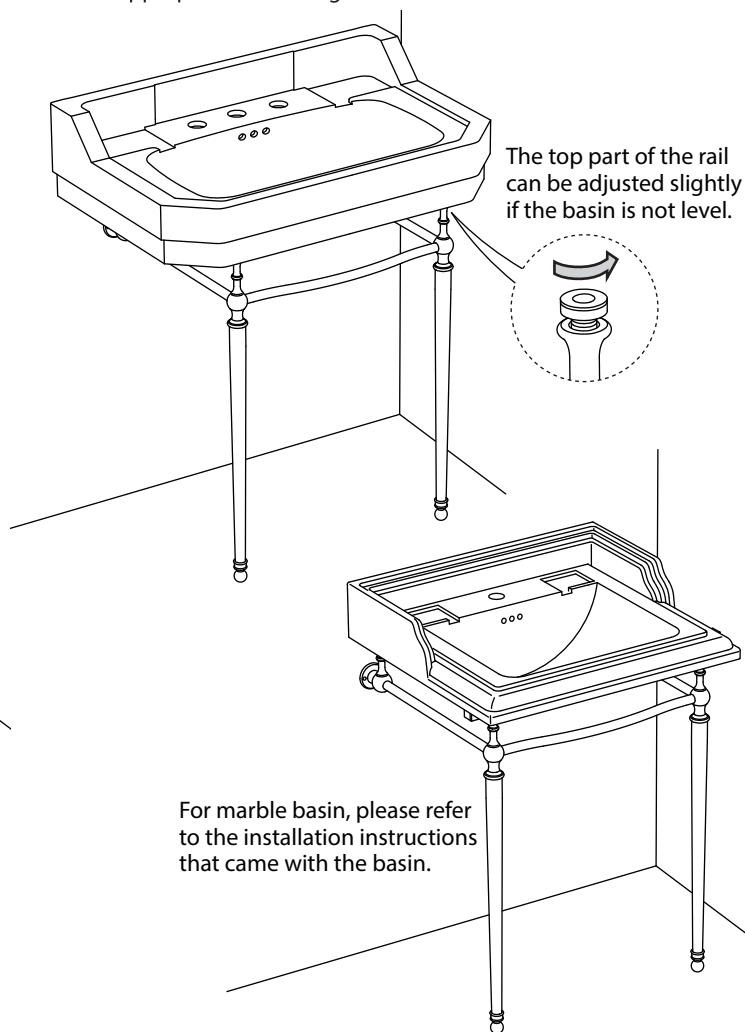
9 Fit the two legs over the floor nipples.



- 10** Fix each of the two brackets onto the wall using the 4 screws provided. Ensure that the screw heads are parallel to the floor. Place the 4 rubber washers into the 4 recesses as shown.

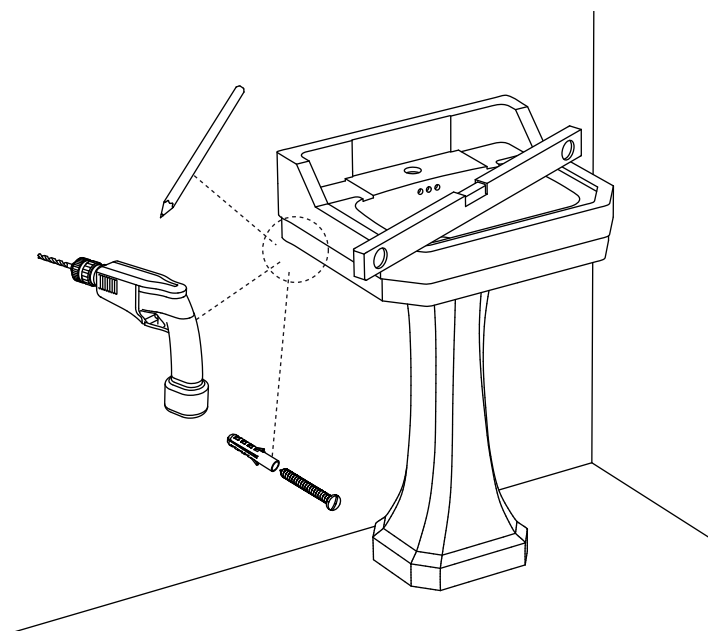


- 11** For ceramic basin, place the basin in position ensuring that it is level. The basin must be fixed to the wall at the rear using appropriate wall fixing screws.



1 Installation - pedestal

- Please make sure you have the correct basin suitable for a pedestal stand. US-P1 can go with US-B4 Basin and the US-P6 can go with US-B15/B18 basins.
- Place the basin in position, against the wall and sitting on top of the pedestal.
- Ensure that the basin is level and then mark the required fixing hole locations on the wall, then proceed to drill.
- Using appropriate fixings attach the basin to the wall securely. Please refer to the installation guide that came with the basin.



US:

Warranty: All Crosswater products come with a limited lifetime warranty. For full details, terms and conditions visit our website.

For further information contact: **Crosswater London**, 393 Fortune Blvd., Milford, MA 01757

www.crosswater-bathrooms.com

Toll free number: 844-XWATER-1 (844-992-8371) tel: 508-381-0433 fax: 508-381-6068

email: technical@crosswater-bathrooms.com

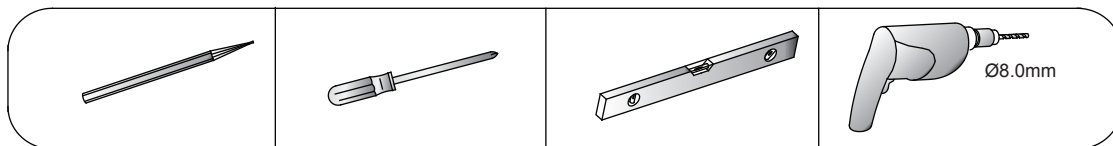
UK:

Bathroom Brands, Lake View House, Rennie Drive, Dartford, Kent, DA1 5FU

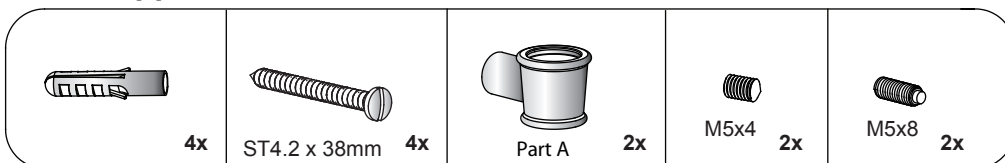
Tel: 01322 473222 Web: www.bathroombrands.com E-mail: Customerservice@bathroombrands.com

Issue date: 200717

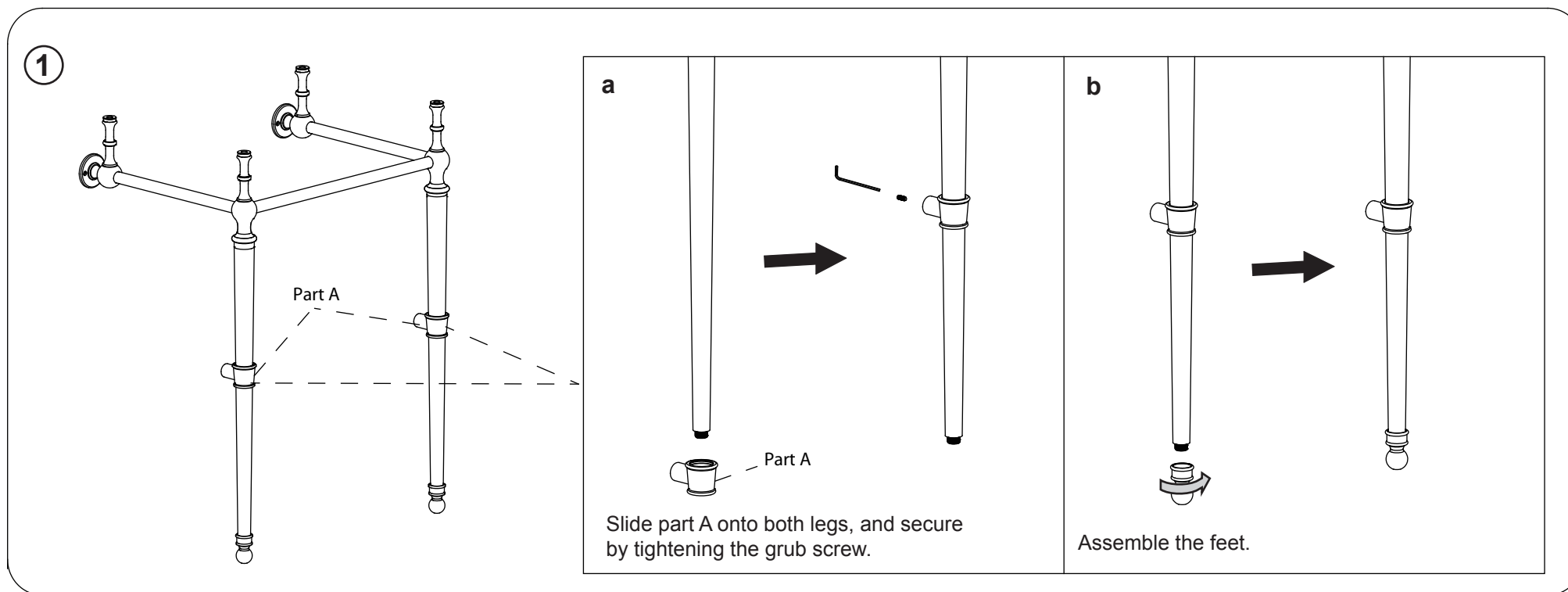
Tools required:

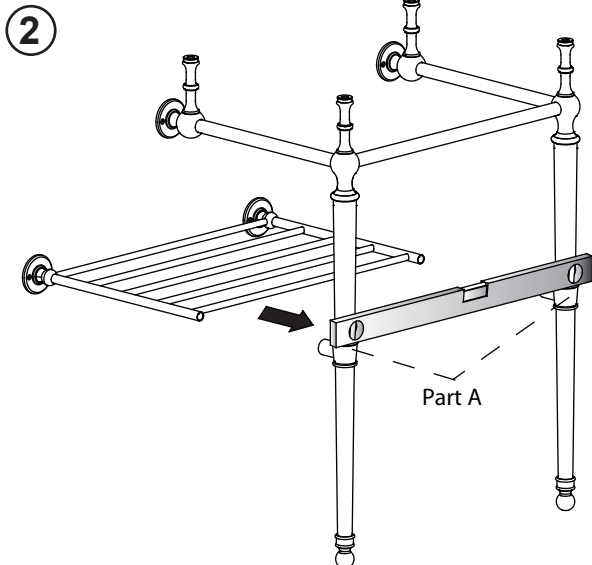


Parts supplied:

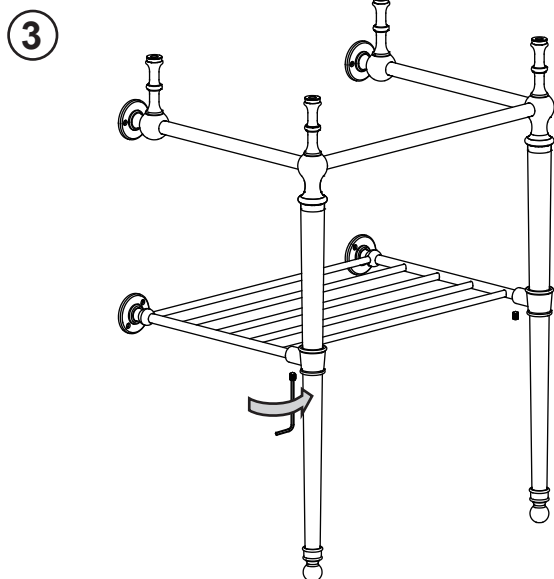


To fit the shelf, please refer to both this instruction and the instruction included with the basin stand.

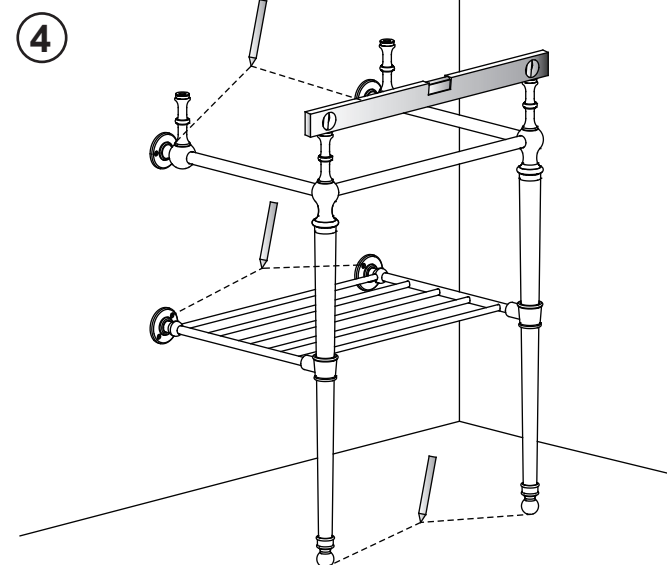




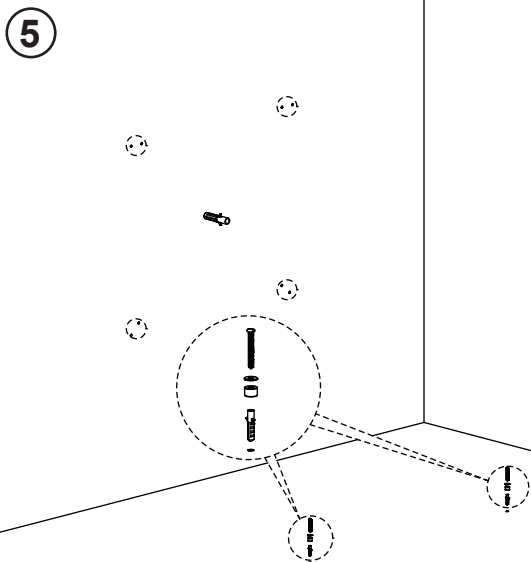
2 Assemble the shelf with part A as shown in above diagram.



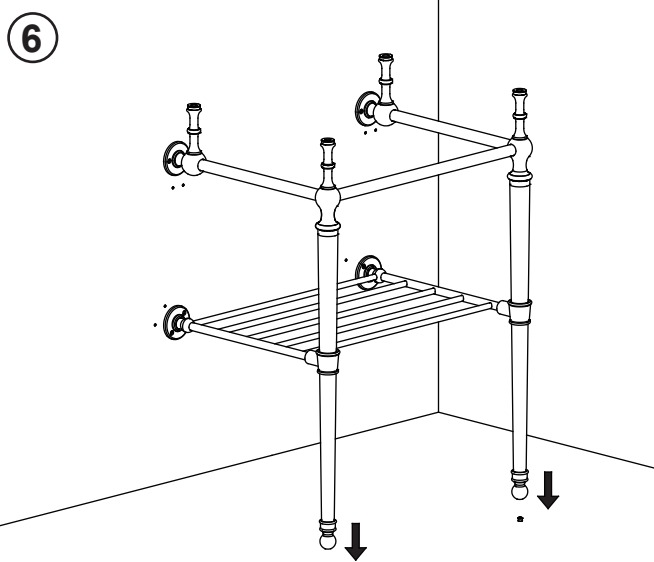
3 Tighten the grub screw.



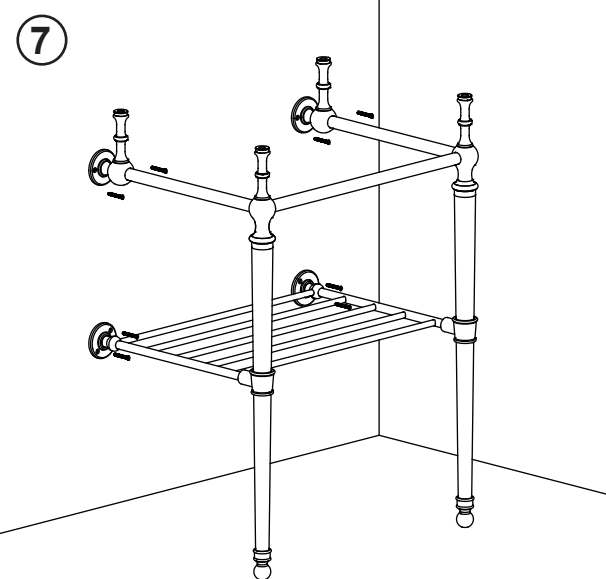
4 Place the basin stand with shelf onto the wall, use a pencil to mark the screw holes on the wall and floor.



5 Use a drill bit to drill holes.



6 Fit the two legs over the floor nipples. (Please refer to basin stand instruction).



7 Fit basin stand with shelf onto the wall.