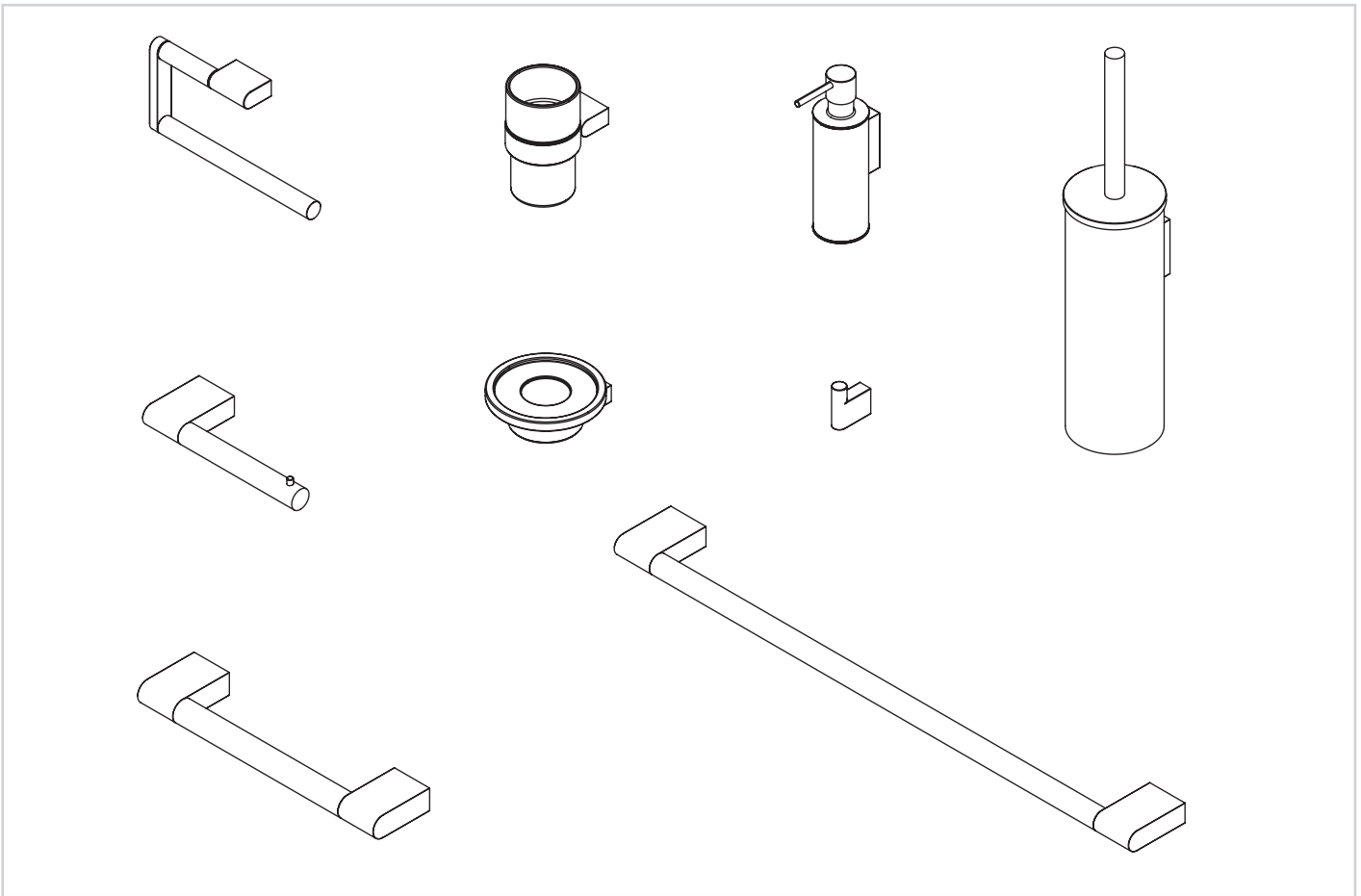


M PRO

Accessories Range



PRODUCT CODES:

PRO003x, PRO005x, PRO011x, PRO013x, PRO021x, PRO023x, PRO025x, PRO029x, PRO036x



IMPORTANT INFORMATION BEFORE YOU START

Please read carefully and keep this information for further reference.

Thank you for buying a Crosswater Product. To ensure that it works to its full potential, it needs to be fitted correctly.

Check the contents of the pack carefully before installation.

Crosswater will not be held responsible for any de-fit/re-fit costs where faulty product has been fitted. If any fault is found with materials or workmanship, it must be reported immediately to the manufacturer. Remedial action will be taken, based on information received, on condition that:

1. Full details are supplied to the manufacturer.
2. The product has not been modified or tampered with;

3. The manufacturer is informed of any damage/shortages prior to installation.

4. The product has not been installed, or attempts have been made to install.

We do not accept responsibility for any problems that may occur through incorrect installation. This product should only be installed by a suitably qualified plumber/installer. Should the installation be completed by a non-qualified person any product guarantee maybe considered invalid. For a claim made under our warranty, written certification of your installer's qualifications may be required.

BEFORE YOU START

Important Pre-Installation Notes

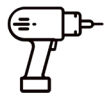



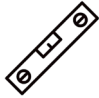


Remove all packaging and check the fitting for damage before starting installation.

Before starting any installation please consider the following: before drilling into walls, check that there are no hidden electrical wires, cables or water supply pipes. This can be checked with the aid of an electronic detector.

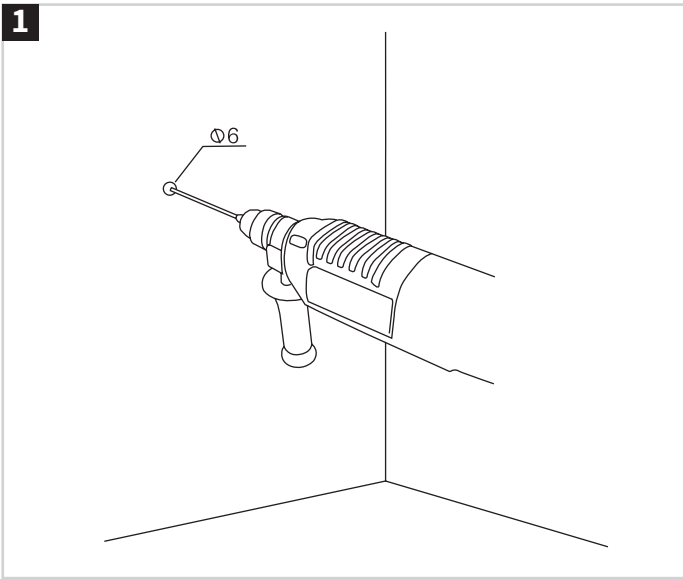
If power tools are used do not forget to:

- Wear eye protection
- Unplug equipment after use

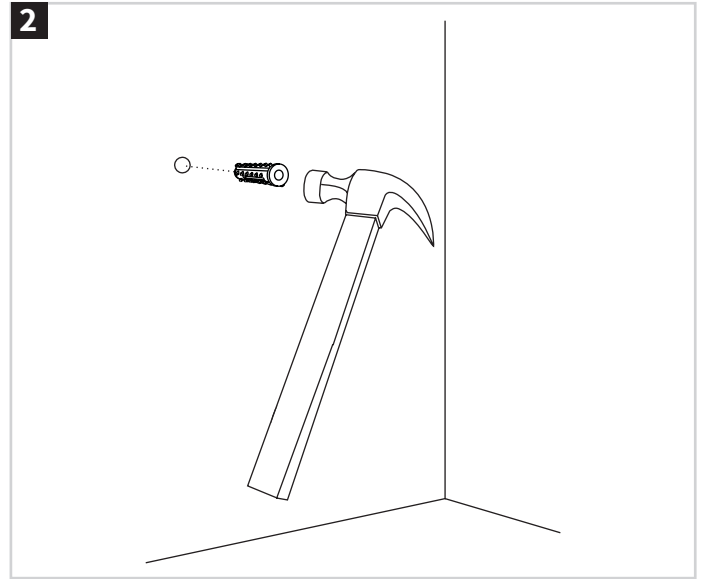
Tools Required (not supplied):

<p><u>Drill + 6mm Drill Bit</u></p>		<p><u>Pencil</u></p>	
<p><u>Tape Measure</u></p>		<p><u>Screw Driver (Phillips No2)</u></p>	
<p><u>Spirit Level</u></p>		<p><u>Safety Goggles</u></p>	
<p><u>Water Based Silicone Sealant</u></p>			

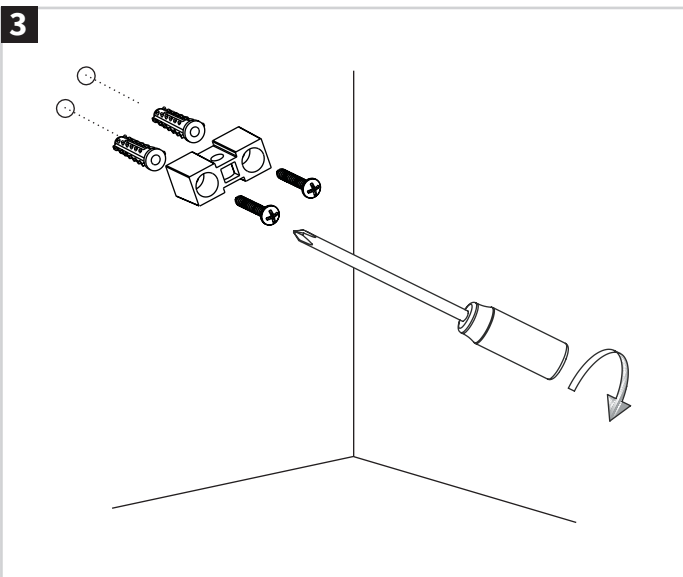
INSTALLATION



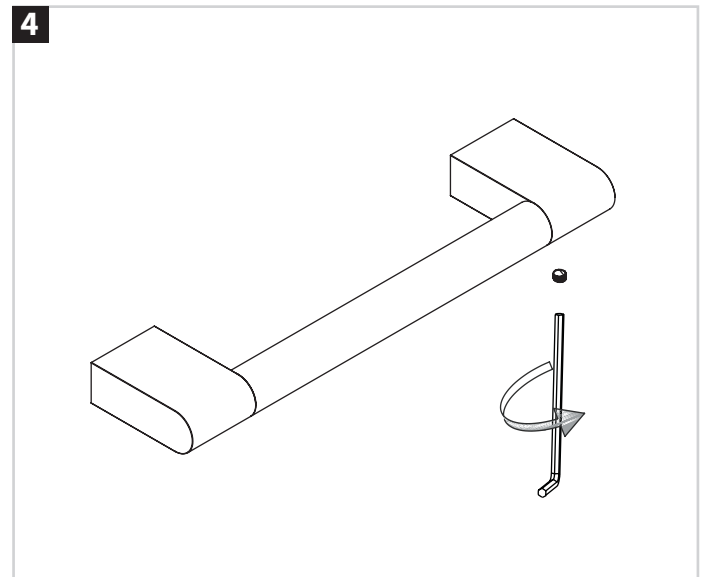
1 Measure area where accessory will be installed. Use drill to create hole.



2 Place raw plug in hole and use hammer lightly to ensure fully in the wall.



3 Align base holes with raw plugs in the wall and use a screw driver to secure in place.



4 Place accessory over base on the wall and tighten the grub screw in place with a hexagonal key with the grub screw.

CARE & MAINTENANCE

The material we use in our accessories is very durable, nevertheless care should be taken when cleaning them. They should be cleaned only with warm soapy water followed by rinsing with clean water and drying with a soft cloth. All finishes are vulnerable to acid attack and some strong substances such as household cleaners, disinfectants, denture cleaners, hair dyes, wine making, and photographic chemicals can cause the surface to go black or peel.

Note: Never use abrasive detergents or disinfectants or those containing alcohol, hydrochloric acid or phosphoric acid.