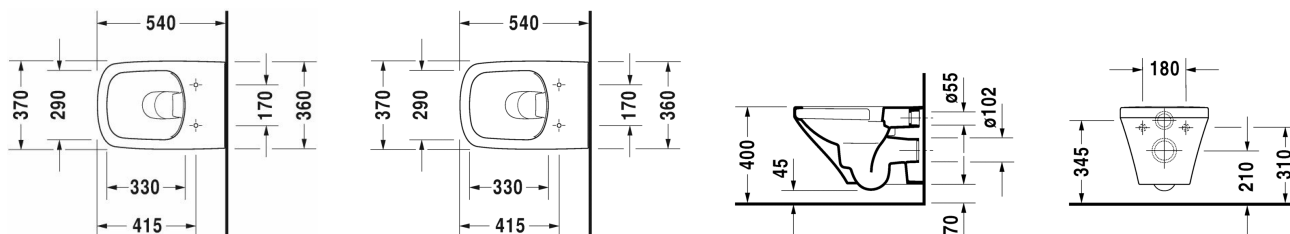


## Toilet set wall mounted Duravit Rimless® # 45510900A1

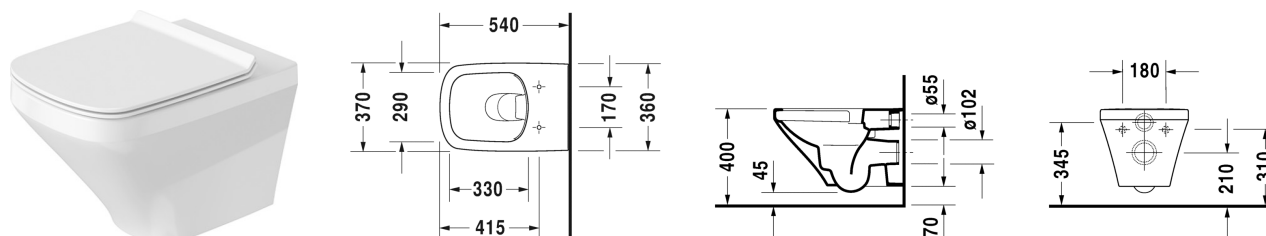


Toilet set wall mounted Duravit Rimless®	Dimension	Weight	Order number
Packaging dimensions 560 x 400 x 430 mm			
<b>Colors</b>			
00 White Alpin			
<b>Variant</b>			
		31.500 kg	45510900A1
<b>Infobox</b>			
Durafix for invisible fixation is included in delivery, If pre-wall carrier not used, the fixing # 006500 is recommended			

*All drawings contain the necessary measurements which are subject to standard tolerances. They are stated in mm and are non-binding. Exact measurements, in particular for customised installation scenarios, can only be taken from the finished piece.*

**Toilet wall mounted Duravit Rimless® # 255109..00 / 255109..00**

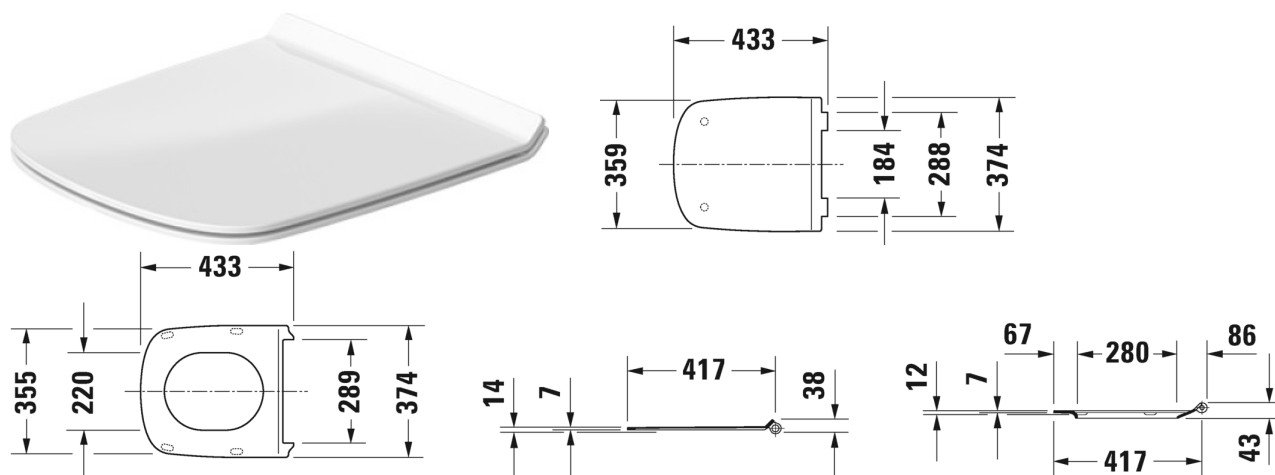
| < 370 mm > |



Toilet wall mounted Duravit Rimless®	Dimension	Weight	Order number
rimless, washdown model, Durafix included, UWL class 1			
<b>Colors</b>			
00 White Alpin 20 HygieneGlaze (an antibacterial ceramic glaze that provides almost indefinite effectiveness)			
<b>Variant</b>			
♣ 4,5 litre flush	370 x 540 mm	28.700 kg	255109..00
♣ 4,5 litre flush	370 x 540 mm	28.700 kg	255109..00
<b>Infobox</b>			
Durafix for invisible fixation is included in delivery			
Sanitary ceramics with the special WonderGliss surface finish will remain clean and attractive-looking for a long time to come. When ordering WonderGliss please add a "1" as eleventh digit to the model number.			
<b>Accessory for ceramics</b>			
Fixing for wall mounted bidet and wall mounted toilet	Ø 12 x 180 mm	0.200 kg	006500
<b>Accessory</b>			
Noise reduction gasket			005090
<b>Suitable products</b>			
Toilet seat and cover hinges stainless steel, without automatic closure,			006371
Toilet seat and cover hinges stainless steel, removable, with automatic closure,			006379
Toilet seat and cover with lateral reinforcement and extended hinge shaft, hinges stainless steel, without automatic closure,			002061

All drawings contain the necessary measurements which are subject to standard tolerances. They are stated in mm and are non-binding. Exact measurements, in particular for customised installation scenarios, can only be taken from the finished piece.

## Toilet seat and cover # 0063790000



Toilet seat and cover	Dimension	Weight	Order number
hinges stainless steel, removable, with automatic closure			
<b>Colors</b>			
00 White Alpin			
<b>Variant</b>			
		2.700 kg	0063790000
<b>Suitable products</b>			
Toilet wall mounted Duravit Rimless® rimless, washdown model, UWL class 1, 370 x 540 mm	370 x 540 mm		253809
Toilet floor standing back to wall, for independent water supply, fixings included, washdown model, horizontal outlet, UWL class 1, 370 x 570 mm	370 x 570 mm		215009
Toilet close-coupled (without cistern), washdown model, Outlet for Vario connector set, for horizontal and vertical outlet, length adjustable from 70 - 170 mm, and Vario connecting bend, vertical outlet from 160 - 200 mm, fixings included, UWL class 1, 370 x 630 mm	370 x 630 mm		215509
Toilet wall mounted washdown model, UWL class 1, 370 x 540 mm	370 x 540 mm		253609
Toilet wall mounted Compact washdown model, UWL class 1, 370 x 480 mm	370 x 480 mm		253909
Toilet wall mounted Compact Duravit Rimless® rimless, washdown model, UWL class 1, 370 x 480 mm	370 x 480 mm		257109
Toilet wall mounted Duravit Rimless® rimless, washdown model, Durafix included, UWL class 1, 370 x 540 mm	370 x 540 mm		255109

## Toilet seat and cover # 0063790000

---

Toilet wall mounted washdown model, Durafix included, UWL class 1, 370 x 540 mm	370 x 540 mm	255209
Toilet close-coupled washdown model, (without cistern), fixings included, horizontal outlet, UWL class 1, 370 x 630 mm	370 x 630 mm	216209

*All drawings contain the necessary measurements which are subject to standard tolerances. They are stated in mm and are non-binding. Exact measurements, in particular for customised installation scenarios, can only be taken from the finished piece.*