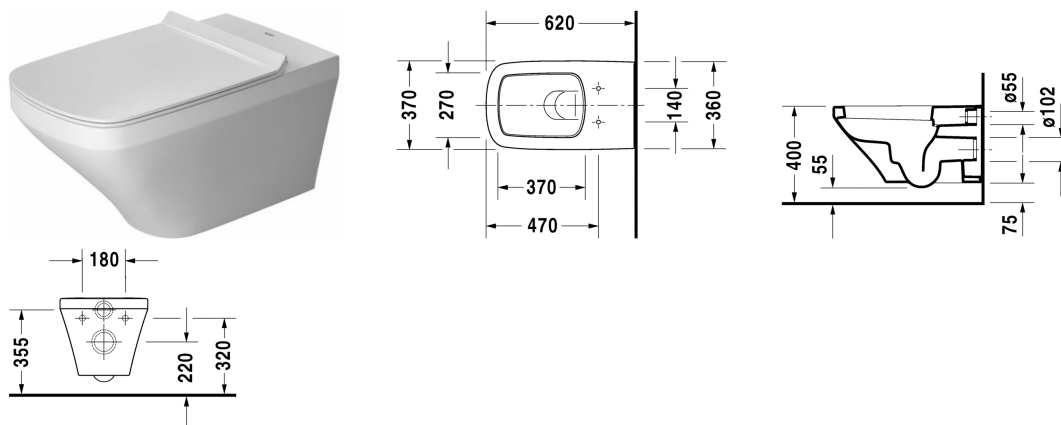


Toilet wall mounted # 253709..00 / 253709..00

| < 370 mm > |



| Toilet wall mounted | Dimension | Weight | Order number |
|--|---------------|-----------|--------------|
| washdown model, Durafix included, UWL class 1 | | | |
| Colors | | | |
| 00 White Alpin 20 HygieneGlaze (an antibacterial ceramic glaze that provides almost indefinite effectiveness) | | | |
| Variant | | | |
| ◆ 4,5 litre flush | 370 x 620 mm | 30.800 kg | 253709..00 |
| ◆ 4,5 litre flush | 370 x 620 mm | 30.800 kg | 253709..00 |
| Infobox | | | |
| Durafix for invisible fixation is included in delivery | | | |
| Sanitary ceramics with the special WonderGliss surface finish will remain clean and attractive-looking for a long time to come. When ordering WonderGliss please add a "1" as eleventh digit to the model number. | | | |
| Accessory for ceramics | | | |
| Fixing for wall mounted bidet and wall mounted toilet | Ø 12 x 180 mm | 0.200 kg | 006500 |
| Accessory | | | |
| Noise reduction gasket | | | 005090 |
| Suitable products | | | |
| Toilet seat and cover removable, elongated, hinges stainless steel, without automatic closure, | | | 006051 |
| Toilet seat and cover removable, elongated, hinges stainless steel, with automatic closure, | | | 006059 |

Toilet wall mounted # 253709..00 / 253709..00

|< 370 mm >|

All drawings contain the necessary measurements which are subject to standard tolerances. They are stated in mm and are non-binding. Exact measurements, in particular for customised installation scenarios, can only be taken from the finished piece.