

PRODUCT DATA SHEET



PRODUCT CODE

BK0451SUW

RANGE

Counter Basins

DESCRIPTION

Beck Cloakroom Basin Including Free Flow Waste 1TH 450x200mm White Gloss

WEBSITE LINK [Click Here](#)

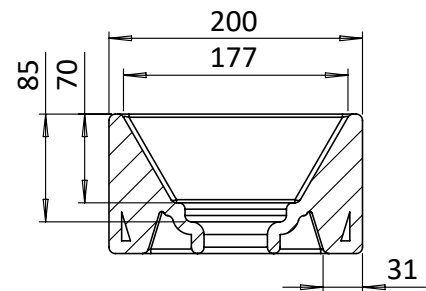
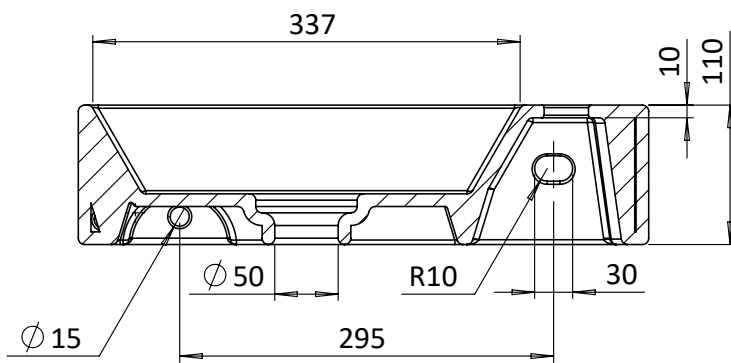
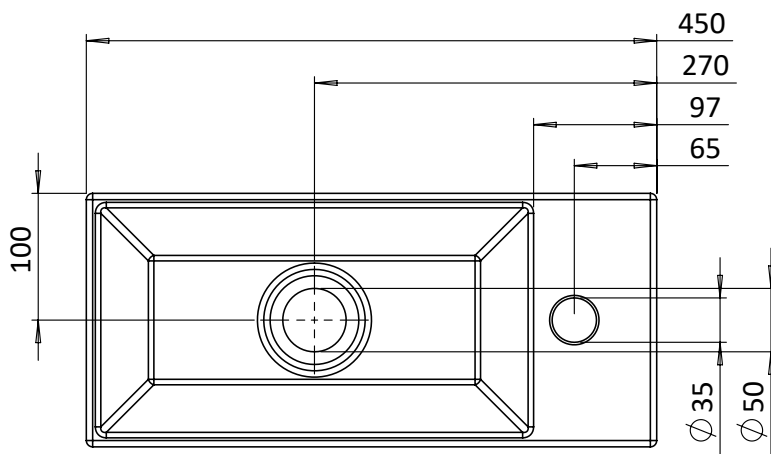
CATEGORY	Sanitaryware
COLOUR	White Gloss
FINISH APPLICATION	Glazed
PRIMARY MATERIAL	Fine Fire Clay
PRODUCT LENGTH MM	200
PRODUCT HEIGHT MM	110
PRODUCT WIDTH MM	450
PRODUCT BOXED WEIGHT (KG)	7.51
INSTALL TYPE	Furniture Mounted
STANDARDS	EN 14688 : 2007

TAP HOLES	1TH
FIXINGS INCLUDED	True
OVERFLOW	No
BASIN WASTE SIZE	46 mm

TECHNICAL DIMENSIONS

Dimensions in mm unless otherwise specified.

Tolerances (per material type) apply.



SPARES LIST

Only the parts labelled are available as spares.

--