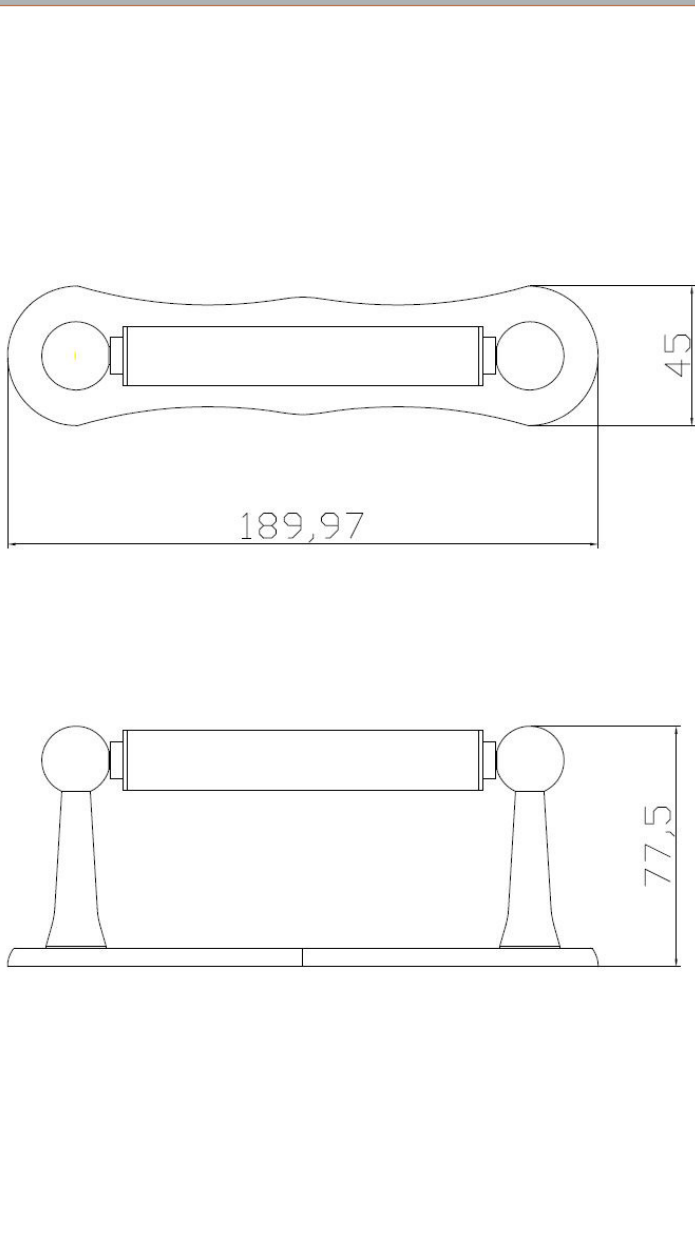


Sales Code: LH301

Description: Traditional Toilet Roll Holder



| Product Dimensions | |
|---|---------------------|
| Length (mm): | |
| Width (mm): | 190 |
| Height (mm): | 45 |
| Depth (mm): | 78 |
| Nett Weight (kg): | 1 |
| Packaging Dimensions | |
| Height (mm): | 220 |
| Width (mm): | 120 |
| Depth (mm): | 75 |
| Gross Weight (kg): | 1 |
| Packaging Data | |
| Box Colour: | White Cardboard Box |
| Box Qty: | 1 |
| Label Size: | 100 x 50 |
| Label Colour: | White Label |
| Label Qty: | 2 |
| Outer Box Dimensions (If Applicable) | |
| Height (mm): | 400 |
| Width (mm): | 455 |
| Length (mm): | |
| Depth (mm): | |
| Gross Weight (kg): | 20 |
| Barcode: | 5055146106081 |
| Product Details | |
| Country of Origin: | China |
| Fitting Instruction: | No |
| CE & UKCA: | N/A |
| Product Material: | Brass |
| Heating Element Wattage: | Not Applicable |
| Colour/Finish: | Chrome |
| Product Diameter: | Not Applicable |
| Connection Size: | Not Applicable |