

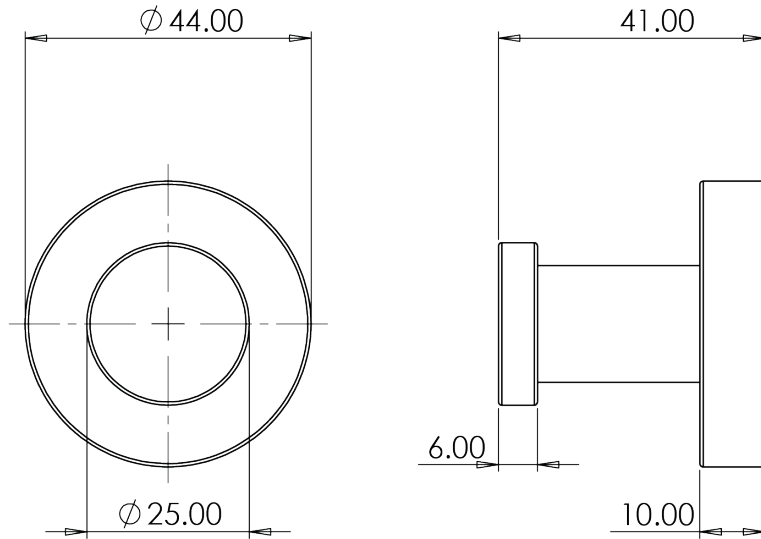
Technical Data Sheet

ROPER RHODES®

CAPITAL ROBE HOOK BRASS

Whats in the box: 1x DC7032 & Fixings

Diagrams not to scale
All dimensions in mm
tolerance of +/-5mm



Materials

Base plate: Zinc Alloy with PVD Finish

Holder: Zinc Alloy with PVD Finish

**Dimensions are subject to change, customers are advised to measure actual product before commencing installation.

***Fixing point dimensions are for guidance only/the positions of wall fixing must be checked when product is received.

FAQs

Q: What is the overall distance from the wall?

A: 41 mm

Q: Coverplate dimensions?

A: D44 mm

Q: Fixing point centres?

A: 22 mm

SPARES

Wall Mounted Fixing Plate - SP19823

