

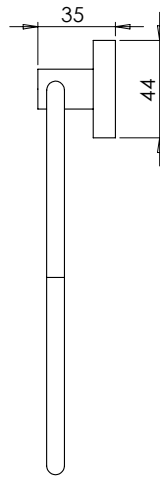
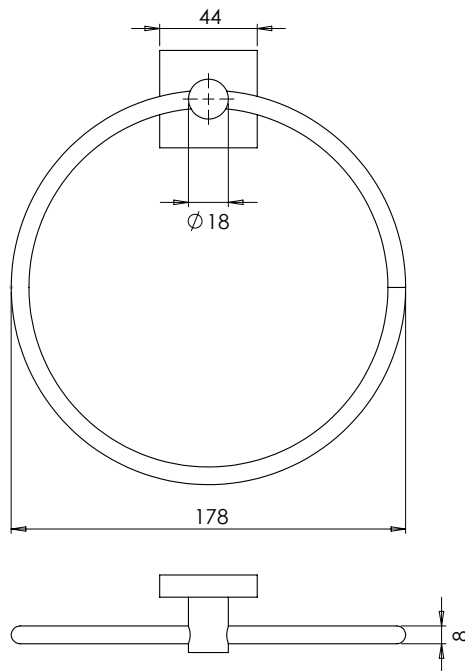
# Technical Data Sheet

## RESTORE TOWEL RING CHROME

Whats in the box: 1x DC7010 & Fixings

# ROPER RHODES®

Diagrams not to scale  
All dimensions in mm  
tolerance of +/-5mm



### Materials

Base plate: Chrome plated brass

Holder: Chrome plated brass

\*\*Dimensions are subject to change, customers are advised to measure actual product before commencing installation.

\*\*\*Fixing point dimensions are for guidance only/the positions of wall fixing must be checked when product is received.

### FAQs

Q: What is the overall distance from the wall?

A: 35 mm

Q: Coverplate dimensions?

A: 44 x 44 mm

Q: Fixing point centres?

A: 22 mm

Q: Does the product swing?

A: Yes