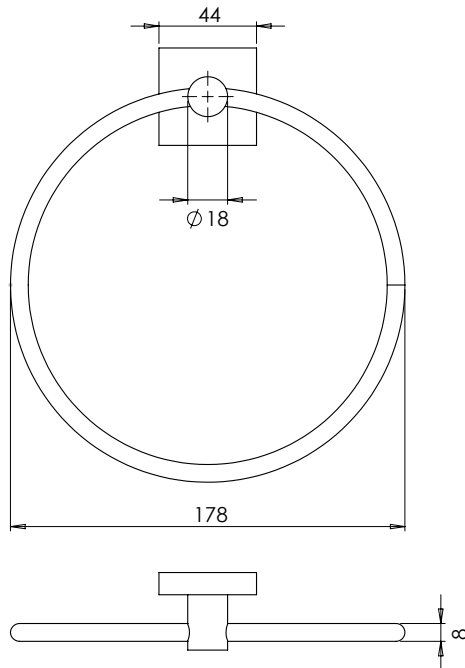


# Technical Data Sheet

# ROPER RHODES®

## RESTORE TOWEL RING BLACK

Whats in the box: 1x DC7035 & Fixings



Diagrams not to scale  
All dimensions in mm  
tolerance of +/-5mm



### Materials

Base plate: Electroplated Zinc Alloy  
Holder: Electroplated Stainless Steel

\*\*Dimensions are subject to change, customers are advised to measure actual product before commencing installation.  
\*\*\*Fixing point dimensions are for guidance only/the positions of wall fixing must be checked when product is received.

### FAQs

- |  |               |
|--|---------------|
| Q: What is the overall distance from the wall? | A: 35 mm      |
| Q: Coverplate dimensions?                      | A: 44 x 44 mm |
| Q: Fixing point centres?                       | A: 22 mm      |
| Q: Does the product swing?                     | A: Yes        |

### SPARES

Wall Mounted Fixing Plate - SP19823

