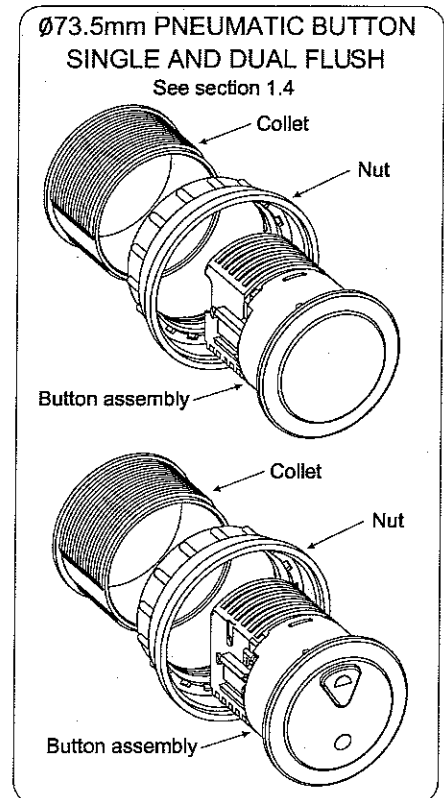
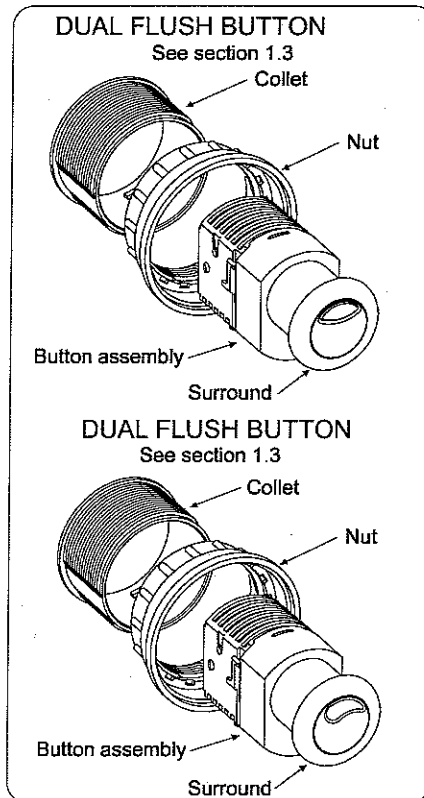
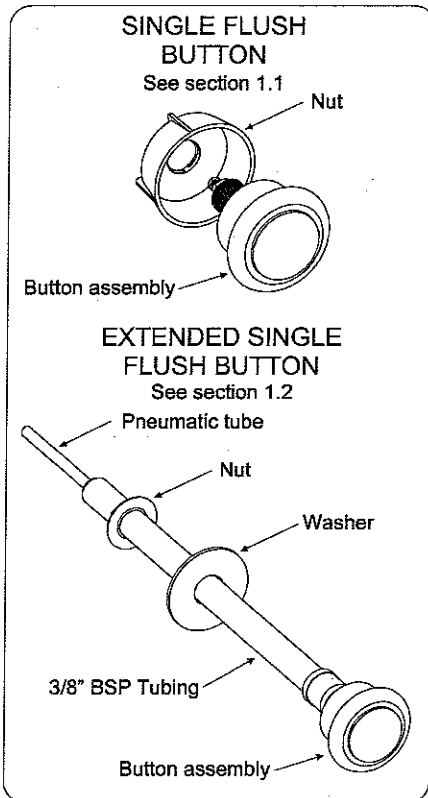
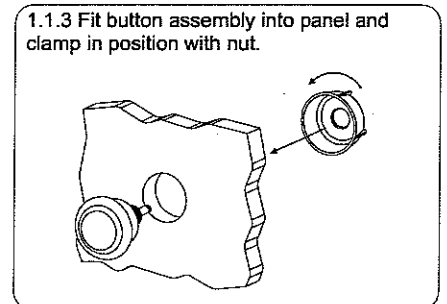
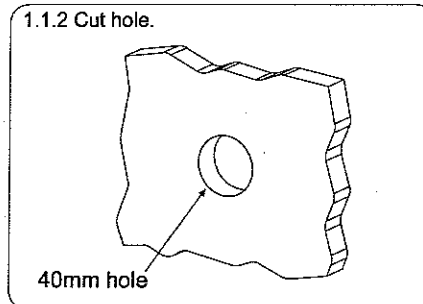
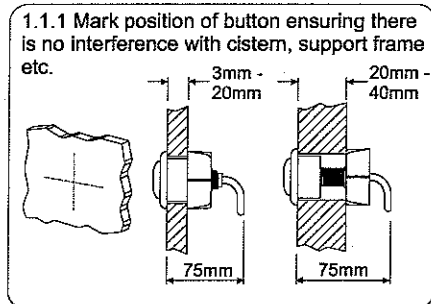


Twyford Bathrooms

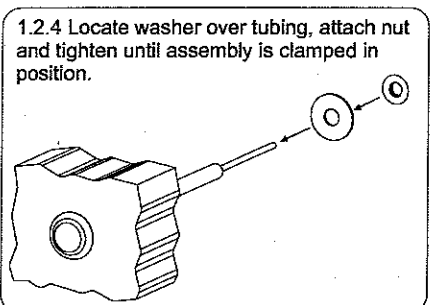
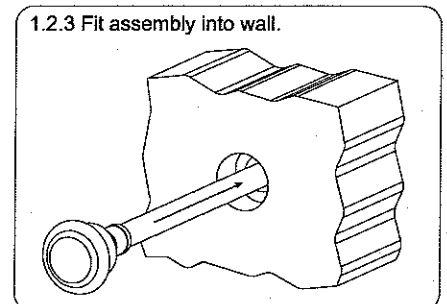
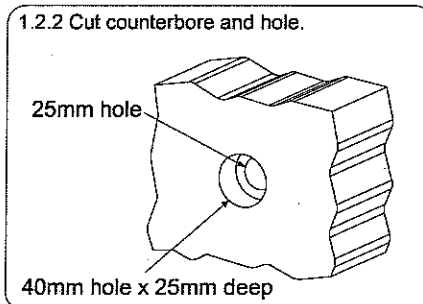
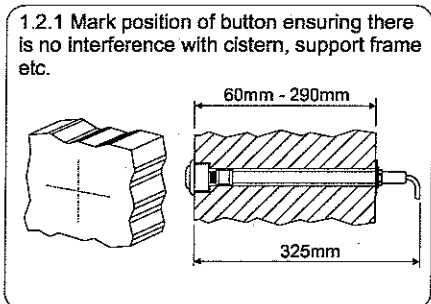
Pushbuttons



1 - Fitting - 1.1 Single flush button



1.2 Extended single flush button



Move to section 2.

1.3 Dual flush buttons

1.3.1 Mark position of button ensuring there is no interference with cistern, support frame etc.

1.3.2 Cut hole.

40mm hole

1.3.3 Fit button assembly into panel and attach surround.

1.3.4 Screw collet into nut.

1.3.5 Locate collet and nut assembly into the slots on the button assembly.

1.3.6 Tighten nut until assembly is clamped in position.

Move to section 2.

1.4 Ø73.5mm pneumatic button

1.4.1 Mark position of button ensuring there is no interference with cistern, support frame etc.

1.4.2 Cut hole.

62mm hole

1.4.3 Screw collet into nut.

1.4.4 Fit button assembly into panel and locate collet and nut assembly into the slots on the button assembly.

1.4.5 Tighten nut until assembly is clamped in position.

Move to section 2.

2 - Connecting pneumatic tubes -

2.1 Dual Flush - Cut pneumatic tubes to the minimum working length. Ensure tubes are not kinked or stretched.

Clear tube = full flush.

Green tube = partial flush.

2.2 Single flush - Cut pneumatic tube to the minimum working length. Ensure tube is not kinked or stretched.

3 - Operation -

3.1 Dual Flush - On reduced flush the large button will also travel when the small button is pressed. Allow time for cistern to fill before flushing.

Reduced flush

Full flush

Note - the buttons may return slowly after operation, this is quite normal.

CF9001CP/SS
 CF9091SS
 CF9002CP