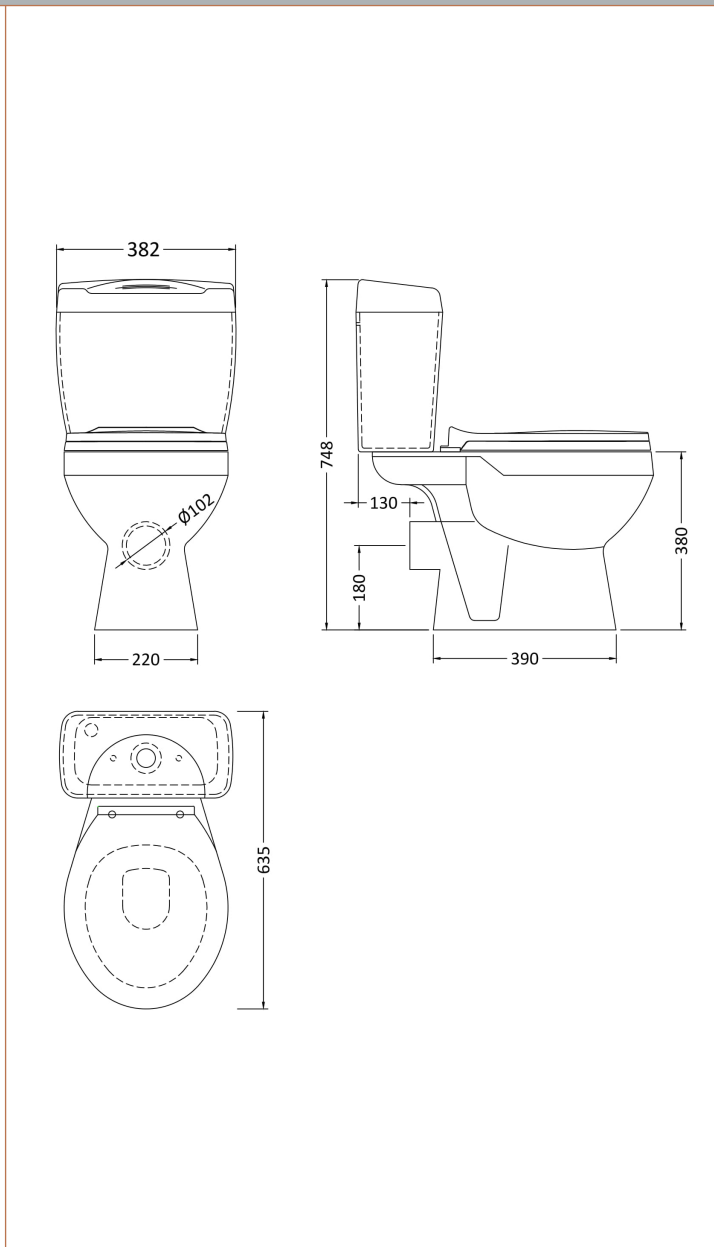


Sales Code: NCS150

Description: Melbourne Pan Cistern & Seat Pack



Product Dimensions

Height (mm):	748
Width (mm):	382
Depth (mm):	635
Nett Weight (kg):	24

Packaging Dimensions

Height (mm):	705
Width (mm):	410
Depth (mm):	390
Gross Weight (kg):	26

Packaging Data

Box Colour:	Brown Cardboard Box - Printed
Box Qty:	1
Label Size:	100 x 50
Label Colour:	White Label
Label Qty:	2

Outer Box Dimensions (If Applicable)

Height (mm):	
Width (mm):	
Depth (mm):	
Gross Weight (kg):	
Barcode:	5060272820121

Product Details

Country of Origin:	China
Fitting Instruction:	No
Certification: CE & UKCA:	Yes WRAS: N/A WRAS No: N/A
Product Material:	Vitreous China
Fixing Supplied:	No

Pans/Bidets: Trap Style: P Trap Includes Seat: Yes

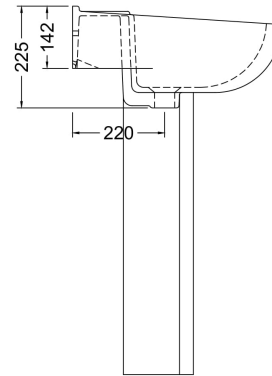
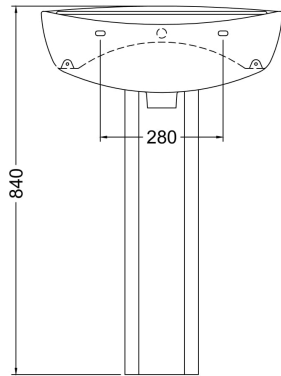
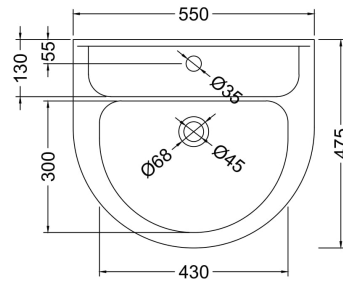
Seats: Seat Type: Round Material: Polypropylene
Function: Std - Non Soft Close Hinge Type: Top & Bottom Fix
Hinge Material: Plastic

Cisterns: Operating Type: Push Button Fittings: Loose 6/3L
Lever Type: Plastic Chrome Platec

Basins: Tap Hole: Not Applicable Chain Stay Hole: Not Applicable
Template: Not Applicable Waste Type Req: Not Applicable
Overflow Inc: Overflow Cover: Not Applicable
Inner Bowl Depth (mm): N/A

Sales Code: Cml002

Description: Melbourne Large Basin & Pedestal

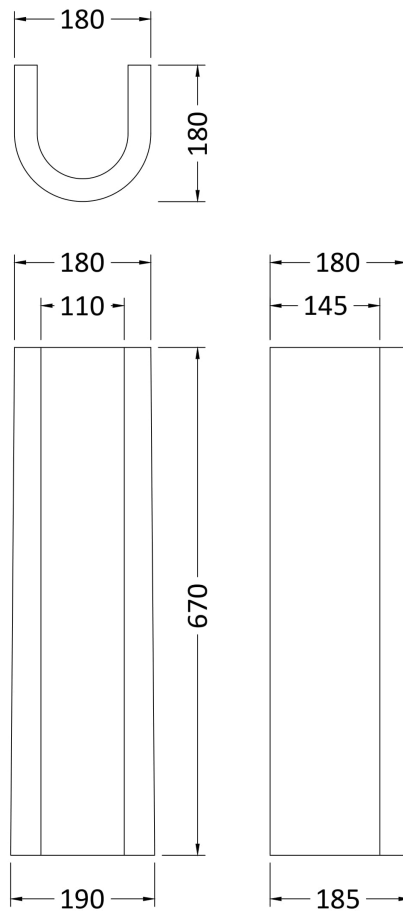


Packaging Details

Barcode: 5055275814208

Sales Code: NCS103

Description: Melbourne Pedestal



Product Dimensions

Height (mm):	670
Width (mm):	180
Depth (mm):	180
Nett Weight (kg):	11.5

Packaging Dimensions

Height (mm):	710
Width (mm):	190
Depth (mm):	190
Gross Weight (kg):	11.7

Packaging Data

Box Colour:	Brown Cardboard Box - Printed
Box Qty:	1
Label Size:	100 x 50
Label Colour:	White Label
Label Qty:	2

Outer Box Dimensions (If Applicable)

Height (mm):	
Width (mm):	
Depth (mm):	
Gross Weight (kg):	
Barcode:	5060272820114

Product Details

Country of Origin:	China
Fitting Instruction:	No
Certification: CE & UKCA:	N/A
WRAS:	N/A
WRAS No:	N/A
Product Material:	Vitreous China
Fixing Supplied:	No

Pans/Bidets: Trap Style: Not Applicable Includes Seat: Not Applicable

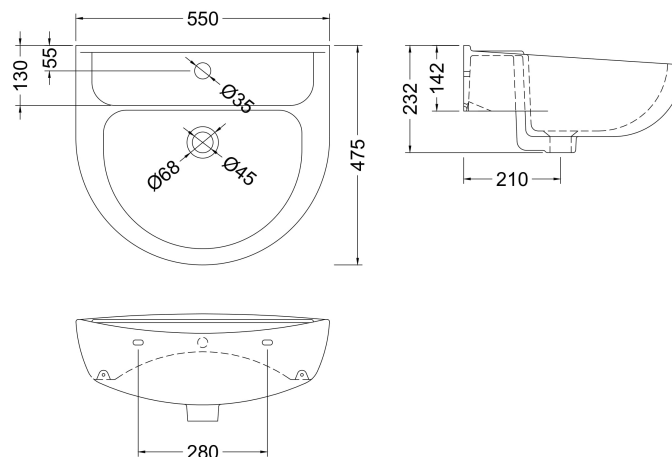
Seats: Seat Type: Not Applicable Material: Not Applicable
Function: Not Applicable Hinge Type: Not Applicable
Hinge Material: Not Applicable

Cisterns: Operating Type: Not Applicable Fittings: Not Applicable
Lever Type: Not Applicable

Basins: Tap Hole: Not Applicable Chain Stay Hole: Not Applicable
Template: Not Applicable Waste Type Req: Not Applicable
Overflow Inc: Not Applicable Overflow Cover: Not Applicable
Inner Bowl Depth (mm): N/A

Sales Code: NCS102

Description: Melbourne Large Basin 1Th



Product Dimensions

Height (mm):	232
Width (mm):	550
Depth (mm):	475
Nett Weight (kg):	12.5

Packaging Dimensions

Height (mm):	245
Width (mm):	570
Depth (mm):	485
Gross Weight (kg):	12.7

Packaging Data

Box Colour:	Brown Cardboard Box - Printed
Box Qty:	1
Label Size:	100 x 50
Label Colour:	White Label
Label Qty:	2

Outer Box Dimensions (If Applicable)

Height (mm):	
Width (mm):	
Depth (mm):	
Gross Weight (kg):	
Barcode:	5060272820107

Product Details

Country of Origin:	China
Fitting Instruction:	No
Certification: CE & UKCA: No	WRAS: N/A WRAS No: N/A
Product Material:	Vitreous China
Fixing Supplied:	No

Pans/Bidets: Trap Style: Not Applicable Includes Seat: Not Applicable

Seats: Seat Type: Not Applicable Material: Not Applicable
Function: Not Applicable Hinge Type: Not Applicable
Hinge Material: Not Applicable

Cisterns: Operating Type: Not Applicable Fittings: Not Applicable
Lever Type: Not Applicable

Basins: Tap Hole: One Taphole Chain Stay Hole: No
Template: Not Required Waste Type Req: Slotted
Overflow Inc: Yes Overflow Cover: No
Inner Bowl Depth (mm): 170mm