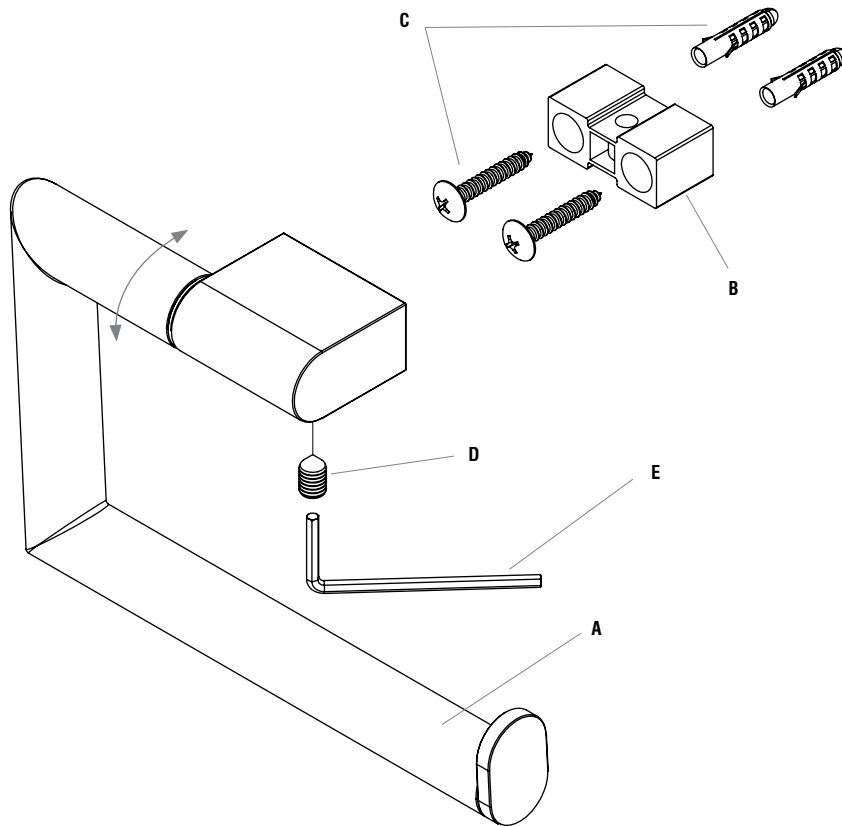


## 1. IN THE BOX

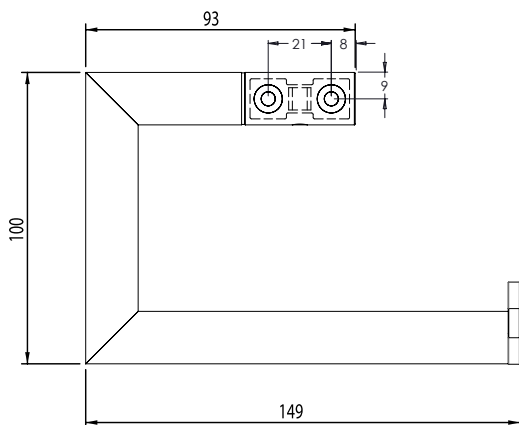


- A. CHROME PLATED BRASS**
- B. PLASTIC WALL BRACKET**  
No adjustment
- C. FIXING KIT**  
2x screws + 2x wall plugs
- D. GRUB SCREW**  
m6x10 socket set screw cone point
- E. 2.5mm HEX KEY**

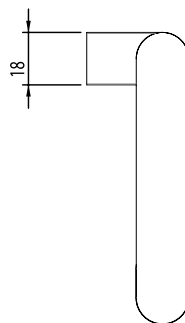
NO.	DESCRIPTION	PRODUCT CODE	FIXINGS INCLUDED?	GROSS WEIGHT	NET WEIGHT
1	IDOL TOILET ROLL HOLDER	4118.02	Yes	0.38kg	0.38kg

## DIMENSIONS

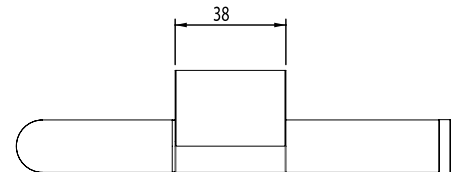
DIAGRAMS NOT TO SCALE  
ALL DIMENSIONS IN MM  
TOLERANCE OF ± 5MM  
(OVERALL DIMENSIONS)



FRONT



SIDE



TOP

## FAQ

**Holder Movement:** Rotates up and down