

TECHNICAL DATA SHEET

PLASTIC SHOWER SEAT - TR7001

NO.	Description	Product Code	Fixings included
1	Plastic Shower Seat	TR7001	YES

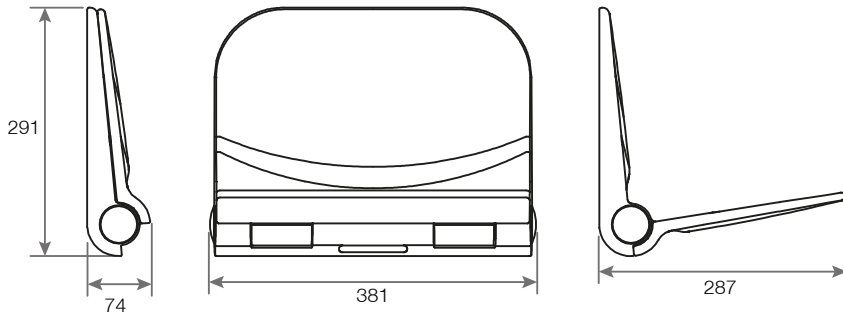


Features:

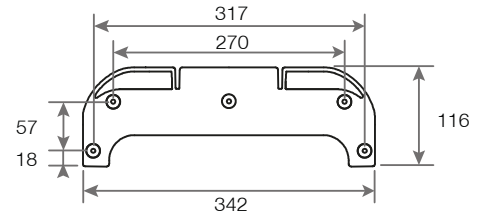
- Compact design - Ideal for shower cubicles
- Folds up flat to the wall when not in use
- Detachable from wall bracket
- Easy to install
- Holds up to 160KG

DIMENSIONS

DIAGRAMS NOT TO SCALE | ALL DIMENSIONS IN MM TOLERANCE OF ± 5 MM
ALL PRODUCTS CONFORM TO BRITISH STANDARDS



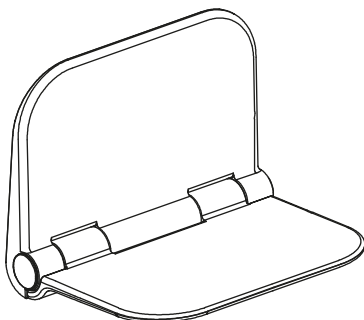
Shower Seat



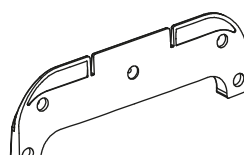
Hanging Bracket

*Dimensions are subject to change, customers are advised to measure actual product before commencing installation.

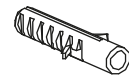
PARTS CHECKLIST



1 x Shower Seat



1 x Seat Bracket



5 x Wall Plug



5 x Screw