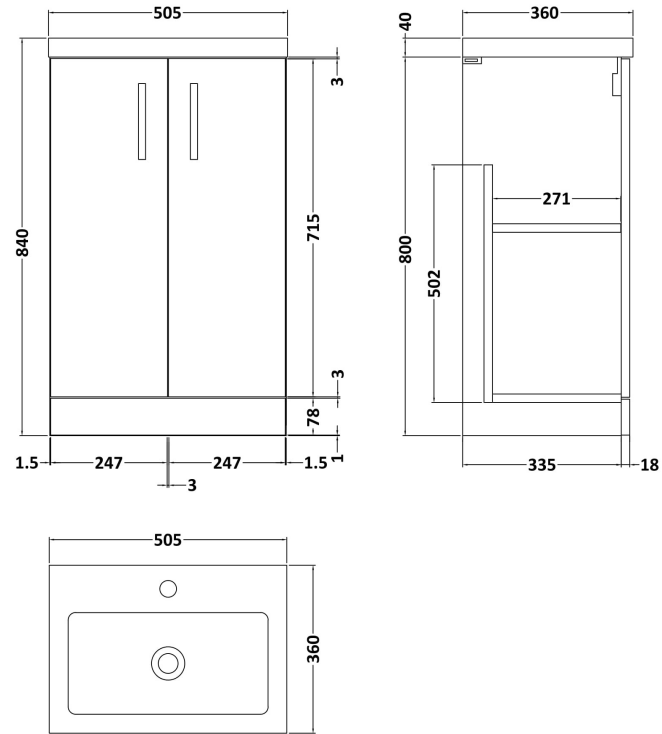


Sales Code: PAL006

Description: 500 Fs 2-Door Vanity & Polymarble Basin

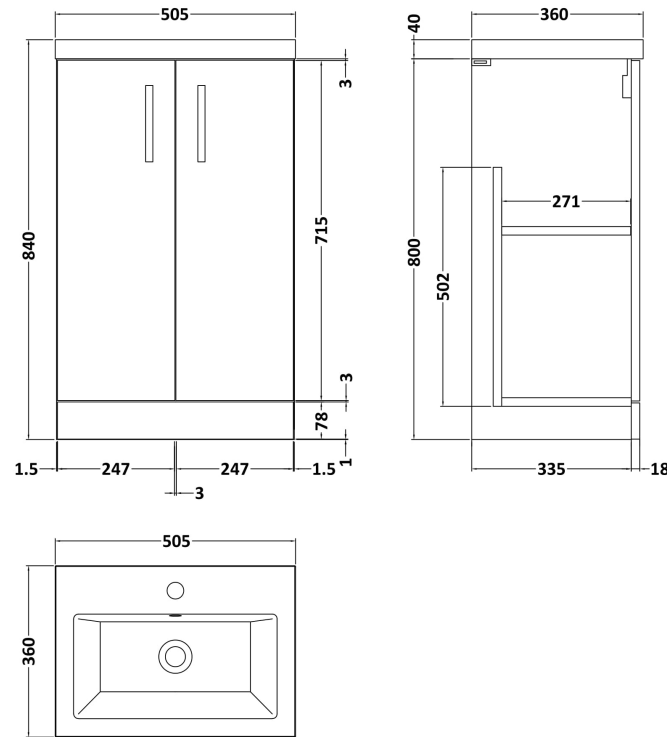


Packaging Details

Barcode: 5056211883647

Sales Code: PAL006E

Description: 500 Fs 2-Door Vanity & Ceramic Basin

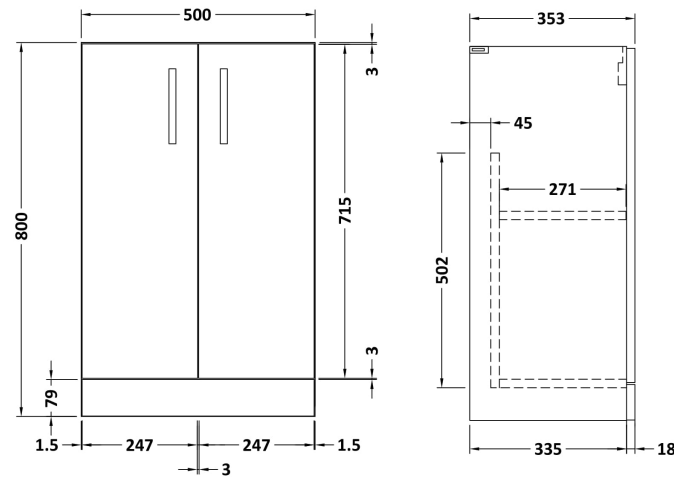


Packaging Details

Barcode: 5056211886044

Sales Code: NVF101

Description: 500 Fs 2-Door Unit (335 Deep)



Product Dimensions

Height (mm):	800
Width (mm):	500
Depth (mm):	353
Nett Weight (kg):	17.5

Packaging Dimensions

Height (mm):	835
Width (mm):	520
Depth (mm):	375
Gross Weight (kg):	18

Packaging Data

Box Colour:	Brown Cardboard Box - Printed
Box Qty:	0
Label Size:	0 x 0
Label Colour:	Not Applicable
Label Qty:	0

Outer Box Dimensions (If Applicable)

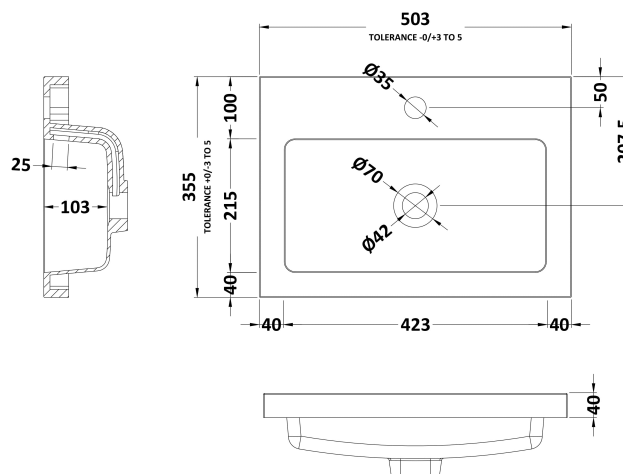
Height (mm):	
Width (mm):	
Depth (mm):	
Gross Weight (kg):	
Barcode:	5056211876069

Product Details

Country of Origin:	China
Fitting Instruction:	No
CE & UKCA:	N/A
FSC Certified Materials:	Yes
Colour:	Gloss White
Construction Method:	Cam & Wood Dowel
Construction Type:	Rigid
Cabinet Finish:	MFC Painted Gloss
Fascia Finish:	Mdf Painted Gloss
Cabinet Thickness (mm):	16
Fascia Thickness (mm):	18
Drawer Included:	No
Drawer Type:	Not Applicable
No of Shelves:	1
Hinge Type:	95 Degree Soft Close
Hinge Included:	Yes, Supplied
Adjustable Legs:	No, Not Required
Fixings Included:	Yes
Handle Style:	Contemporary
Waste Shroud:	No
Handle Included:	Yes
Handle Type:	D-Shape

Sales Code: PMB312

Description: 500 Rear Tap Basin 1Th



Product Dimensions

Height (mm):	355
Width (mm):	503
Depth (mm):	135
Nett Weight (kg):	8.1

Packaging Dimensions

Height (mm):	420
Width (mm):	210
Depth (mm):	550
Gross Weight (kg):	8.1

Packaging Data

Box Colour:	Brown Cardboard Box - Printed
Box Qty:	1
Label Size:	100 x 50
Label Colour:	White Label
Label Qty:	2

Outer Box Dimensions (If Applicable)

Height (mm):	
Width (mm):	
Depth (mm):	
Gross Weight (kg):	
Barcode:	5055369071975

Product Details

Country of Origin:	China
Fitting Instruction:	No
Certification: CE & UKCA:	Yes
WRAS:	N/A
WRAS No:	N/A
Product Material:	Polymarble
Fixing Supplied:	No

Pans/Bidets: Trap Style: Not Applicable Includes Seat: Not Applicable

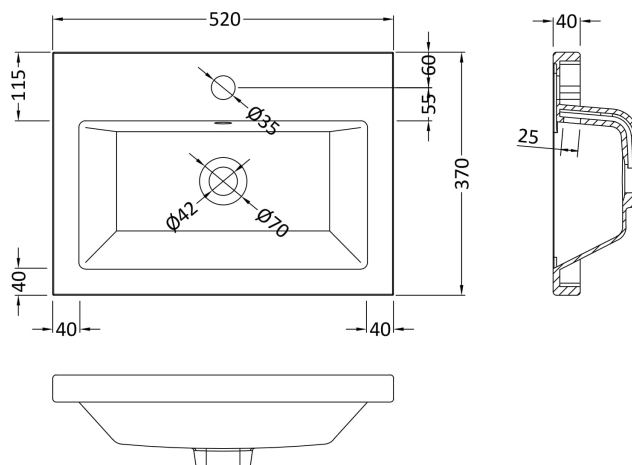
Seats: Seat Type: Not Applicable Material: Not Applicable
Function: Not Applicable Hinge Type: Not Applicable
Hinge Material: Not Applicable

Cisterns: Operating Type: Not Applicable Fittings: Not Applicable
Lever Type: Not Applicable

Basins: Tap Hole: One Taphole Chain Stay Hole: No
Template: Not Required Waste Type Req: Slotted
Overflow Inc: Yes Overflow Cover: Yes
Inner Bowl Depth (mm): 103mm

Sales Code: CBM312

Description: Ceramic Rear Tap Basin 505X360



Product Dimensions

Height (mm):	150
Width (mm):	505
Depth (mm):	360
Nett Weight (kg):	9

Packaging Dimensions

Height (mm):	555
Width (mm):	420
Depth (mm):	200
Gross Weight (kg):	9

Packaging Data

Box Colour:	Brown Cardboard Box - Printed
Box Qty:	1
Label Size:	100 x 50
Label Colour:	White Label
Label Qty:	2

Outer Box Dimensions (If Applicable)

Height (mm):	
Width (mm):	
Depth (mm):	
Gross Weight (kg):	
Barcode:	5056211875819

Product Details

Country of Origin:	China
Fitting Instruction:	No
Certification: CE & UKCA:	No
WRAS:	N/A
WRAS No:	N/A
Product Material:	Vitreous China
Fixing Supplied:	No

Pans/Bidets: Trap Style: Not Applicable Includes Seat: Not Applicable

Seats: Seat Type: Not Applicable Material: Not Applicable
 Function: Not Applicable Hinge Type: Not Applicable
 Hinge Material: Not Applicable

Cisterns: Operating Type: Not Applicable Fittings: Not Applicable
 Lever Type: Not Applicable

Basins: Tap Hole: One Taphole Chain Stay Hole: No
 Template: Not Required Waste Type Req: Slotted
 Overflow Inc: Yes Overflow Cover: Yes
 Inner Bowl Depth (mm): 103mm