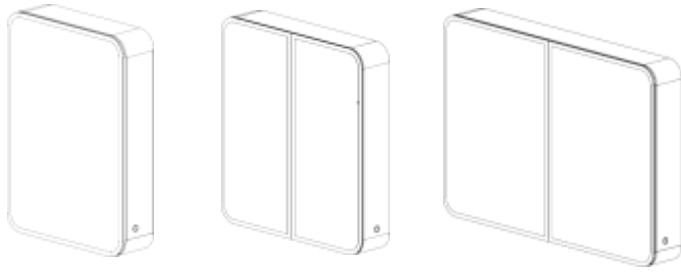


# Technical Data Sheet

## SYSTEM



### Box Contents:

System Cabinet | 2 glass shelves | 2x Wall hanging brackets | 4x wall plugs | 4x screws | Instructions booklet

### Materials:

Carcass: Extruded Aluminium | Door: Double sided mirror  
Glass: 3mm PVC Backed

### FAQ's:

	Units	SYC050	SYC060	SYC100
Internal dimensions (L x W x D)	mm	470 x 670 x 111	570 x 670 x 111	970 x 670 x 111
Shelf dimensions (L x W x D)	mm	466 x 100 x 5	566 x 100 x 5	966 x 100 x 5
Max shelf spacing	mm	280		
Distance between door hinges	mm	414		
Individual door dimensions (L x W x D)	mm	500x700x11	299.5x700x11	499.5x700x11
Max door opening angle	°	125 Max		
Max depth with door open	mm	626	425.5	625.5
Hanging bracket centres	mm	282	382	782
What is the thickness of the mirror glass?	mm	3 x 2		
Is the cabinet IP44 rated?	-	Yes – suitable for use in bathroom zone 2		
What size fuse should I use?	-	Seek the advice of an electrician		
What is the total power consumption?	W	59.1	64.9	86.5
Does the cabinet have an energy rating?	-	Yes – It has an energy rating of: A		
What is the colour of the light and the Kelvin rating?	K	3000-6000		
What is the wattage of the lights?	W	16.6	18.4	24
Where is the IR sensor/rocker switch located?	-	Right Hand Side		
Can the LED lighting be replaced?	-	No		
Can the IR sensor be replaced?	-	No		
What is the output of the demister pad?	W	12	16	32
What are the dimensions of the demister pad?	mm	400 x 150	400 x 150	400 x 300
How do I turn on the demister pad?	-	The demister pad will turn on when the LEDs are turned on.		
Are illuminated cabinets supplied with mains cable?	-	All illuminated cabinets are supplied with a removeable 500mm mains cable. There is ample storage for excess cable in the back of the unit.		

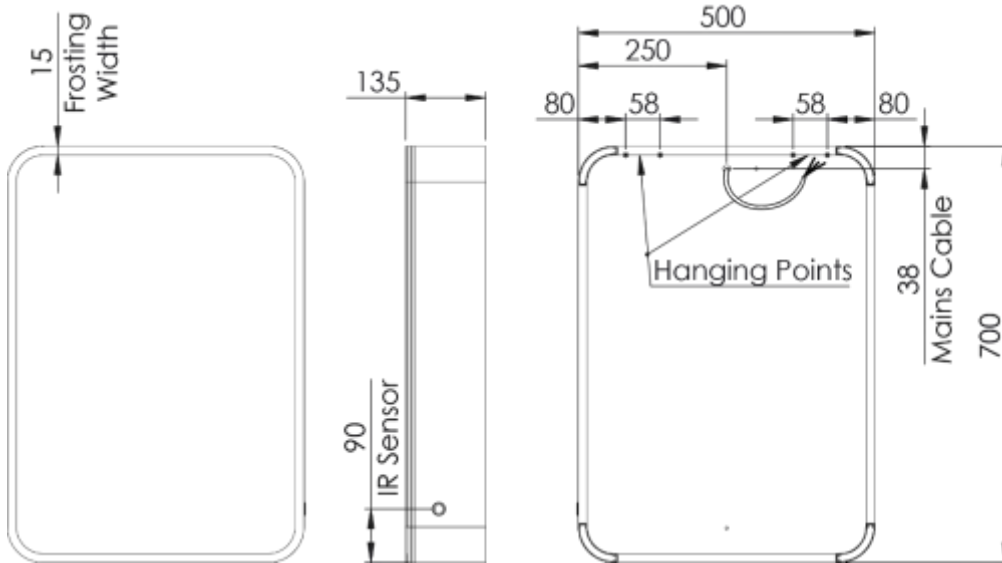
### 10 Year Guarantee

We have complete confidence in this Roper Rhodes bathroom Cabinet and as such it is offered with a 10-year guarantee against defects in manufacture. The electronics are covered by our 2-year guarantee. In the unlikely event that this product should fail during the guarantee period we will either replace the faulty part or the complete unit as appropriate.

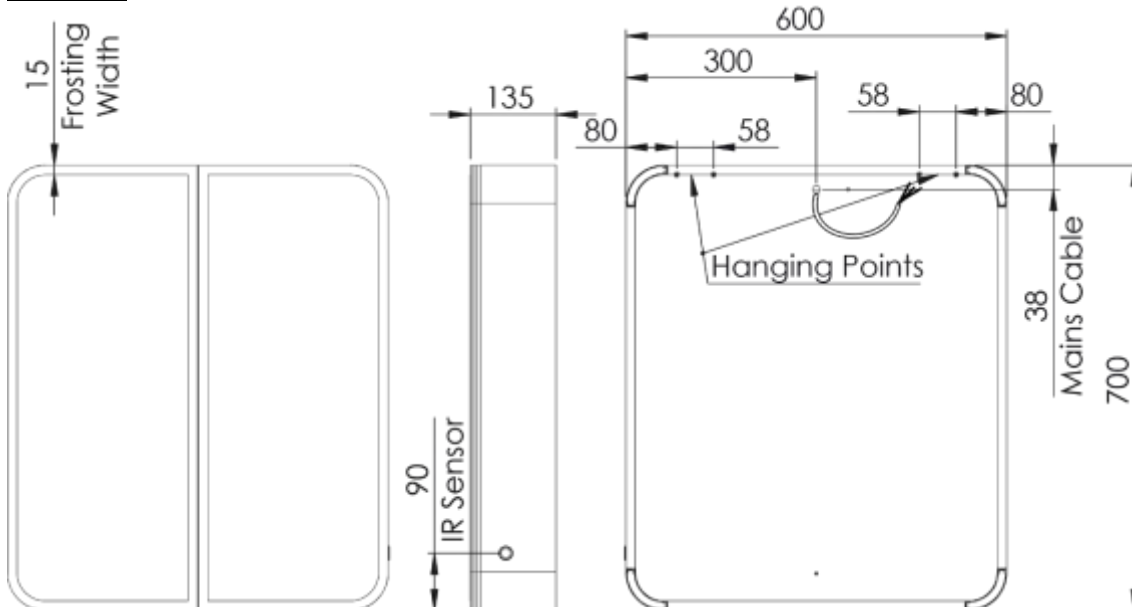
\*Dimensions are subject to change, customers are advised to measure actual product before commencing installation.

\*\*Fixing point dimensions are for guidance only/the positions of wall fixing must be checked when product is received.

**SYC050**



**SYC060**



**SYC100**

