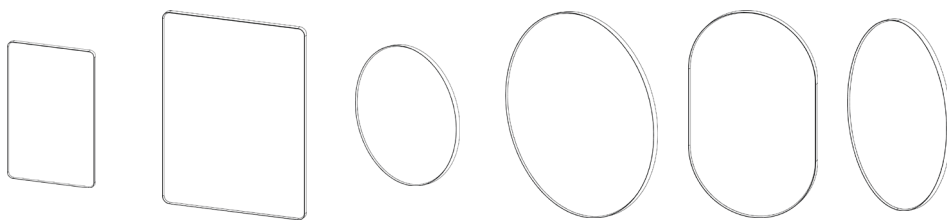


# Non-Illuminated Mirror



**Box Contents:**

Non-Illuminated Mirror – Instructions booklet | 4x wall plugs | 4x screws | Hole Template

**Materials**

*Frame Material:* Extruded Aluminium

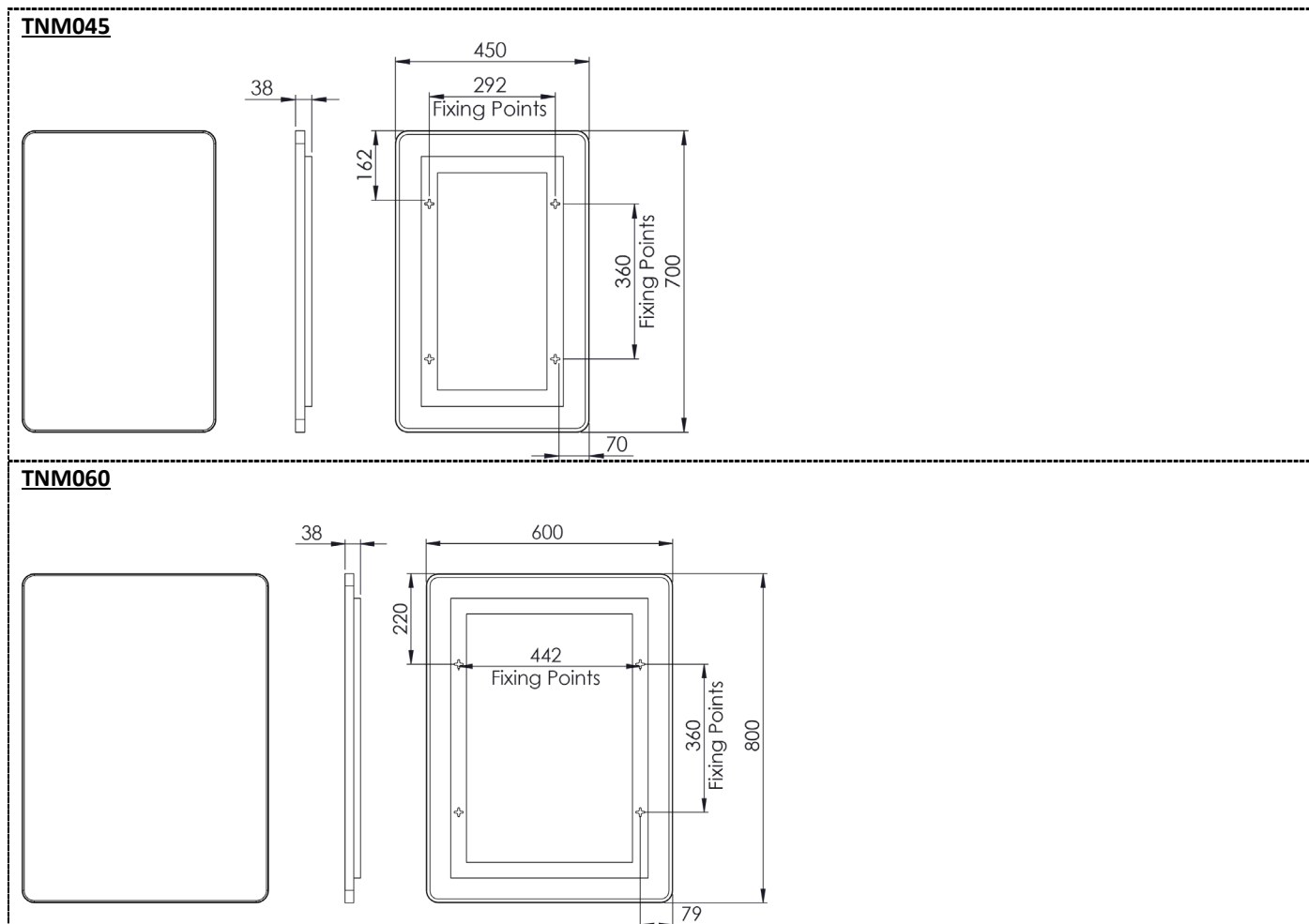
*Glass:* 5mm PVC Backed

**FAQ's:**

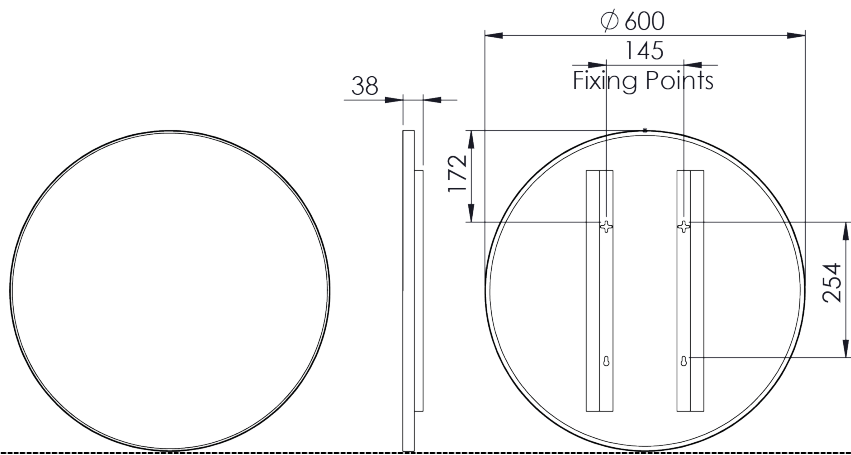
	Units	TNM045	TNM060	TNM50P	TNM80C	TNM60C	TNM50V
Can the mirror be hung portrait & landscape?	-	Portrait & Landscape			Portrait Only		
What is the thickness of the mirror glass?	mm	5					
Is the mirror IP44 rated?	-	Yes – Suitable for use in bathroom zone 2					

\*Dimensions are subject to change, customers are advised to measure actual product before commencing installation.

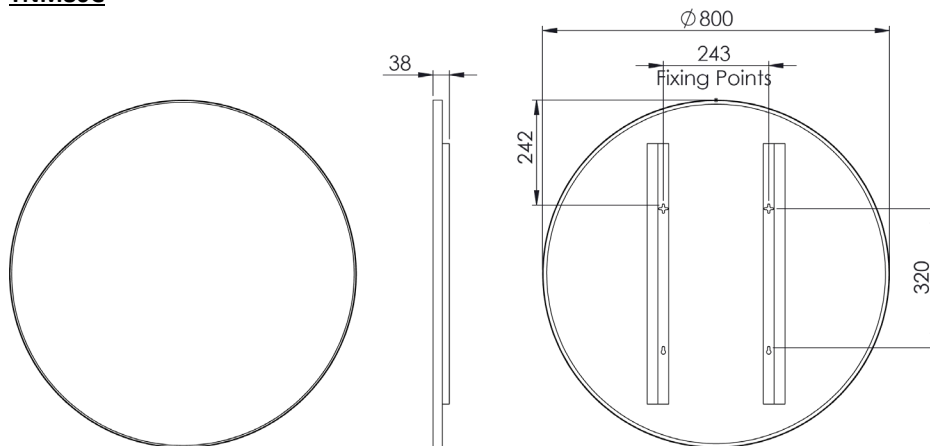
\*\*Fixing point dimensions are for guidance only/the positions of wall fixing must be checked when product is received.



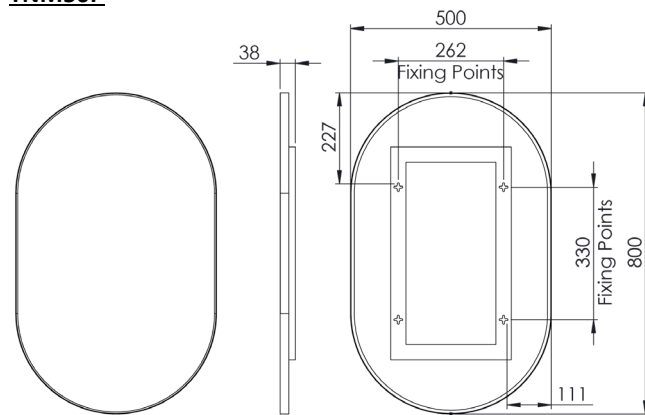
**TNM60C**



**TNM80C**



**TNM50P**



**TNM50V**

