

Technical Data Sheet
Level Bevelled Mirror MPS401

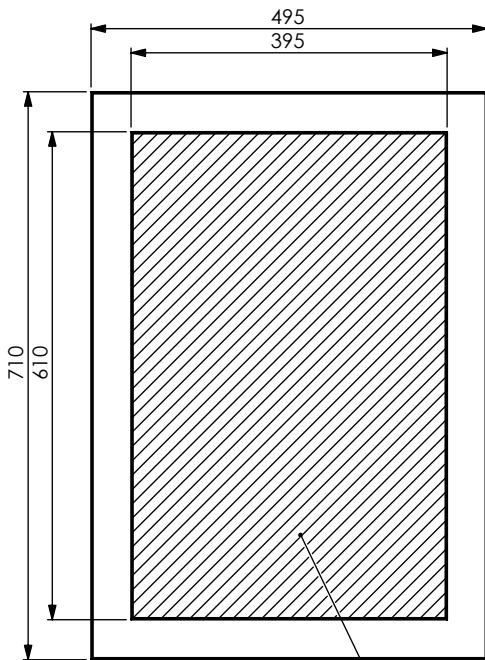
ROPER RHODES®

No.	Description	Code	Fixings Included
1	Level Bevelled Mirror	MPS401	YES

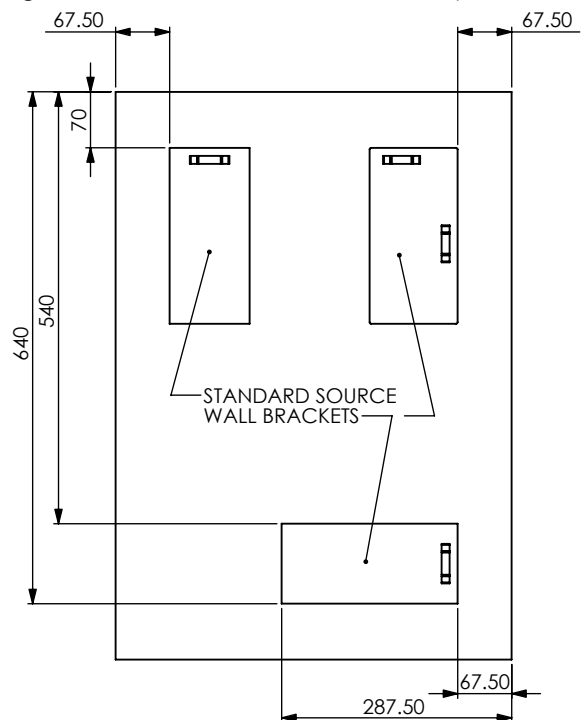


Dimensions - MPS401

Diagrams not to scale. All dimensions in mm (tolerance of +/-5mm)



HATCHED AREA IS MIRROR



*Dimensions are subject to change, customers are advised to measure actual product before commencing installation.
**Fixing point dimensions are for guidance only/the positions of wall fixing must be checked when product is received.

FAQ's

Q. Can the mirror be hung portrait and lanscape?
A. No.

Q. What is the thickness of the mirror glass?
A. 5mm and it is film backed for additional safety.

Q. How do you fix the mirror to the wall?
A. Refer to enclosed instructions for further details.

Dimension	Measurement
Distance from Wall when Hung	8mm
Fixing Points from Top Portrait / Landscape	40mm / 40mm
Fixing Points Width Portrait / Landscape	240mm / 400mm
Fixing Points from Top Fixing to Lower	470mm