

BELGRAVIA S BATH FILLER



Product Code	TPBELS02
Weight (Kg)	1.7
Material	Brass, zinc
Finish	Chrome
Min Pressure	0.2
Max Pressure	5

Flow rates (litres per minute)

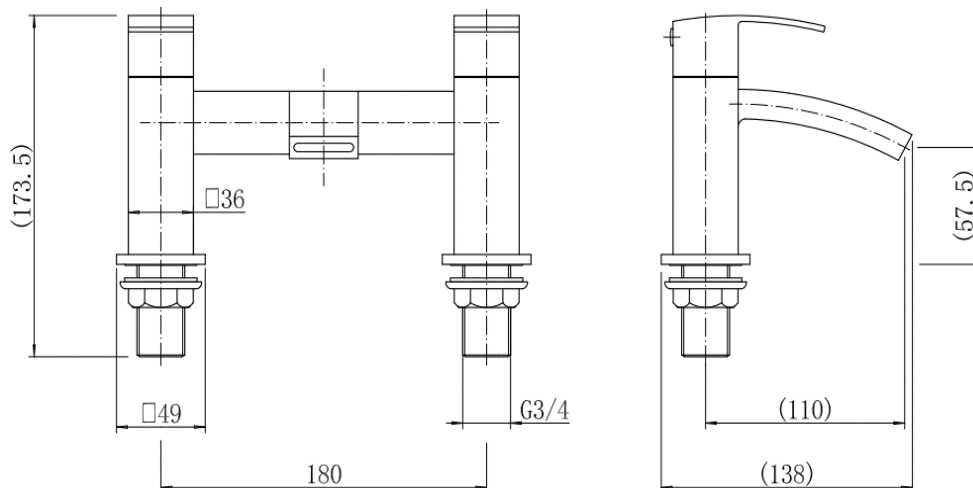
0.5 Bar	1 Bar	3 Bar
24.4	33.7	57.6

Key features:

- Chrome finish
- Inlet connection: G 3/4"
- G 3/4" quarter turn cartridge
- Back nut
- 10 year guarantee*

Description:

The Belgravia S Bath Filler is made from solid brass with a zinc handle both in a polished chrome finish. It has slimline handles and angular styling that makes it a contemporary addition to any bathroom. It is suitable for use with all plumbing systems with a minimum operating pressure of 0.2 bar.



All dimensions are approximate and subject to normal ceramic variation. Although every effort is made not to change the above product specification, Lecico reserve the right to do so without prior notification if necessary. *Against manufacturers defects. Full information on guarantees available upon request.