

## BUXTON BASIN TAPS



<b>Product Code</b>	<b>TPBUXBASIN</b>
<b>Weight (Kg)</b>	0.8
<b>Material</b>	Brass, zinc
<b>Finish</b>	Chrome
<b>Min Pressure</b>	0.2
<b>Max Pressure</b>	5

### Flow rates ( litres per minute)

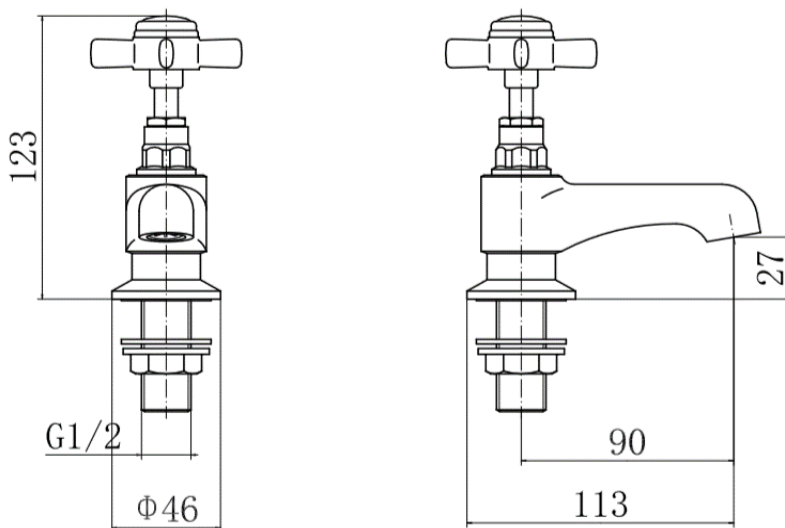
0.5 Bar	1 Bar	3 Bar
12.5	17.2	29.2

### Key features:

- Chrome finish
- Inlet connection: G 1/2"
- G 1/2" quarter turn cartridge
- Back nut
- 10 year guarantee\*

### Description:

The Buxton Basin Taps are made from solid brass with zinc handles, all in a polished chrome finish. They have crosshead handles and classic styling that makes for a modern twist on traditional styling. They are suitable for use with all plumbing systems with a minimum operating pressure of 0.2 bar.



All dimensions are approximate and subject to normal ceramic variation. Although every effort is made not to change the above product specification, Lecico reserve the right to do so without prior notification if necessary. \*Against manufacturers defects. Full information on guarantees available upon request.