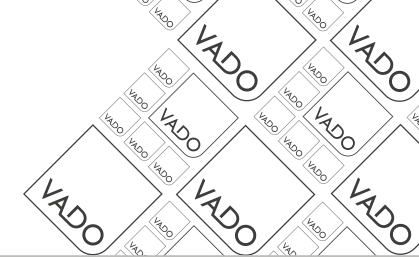




where inspiration flows

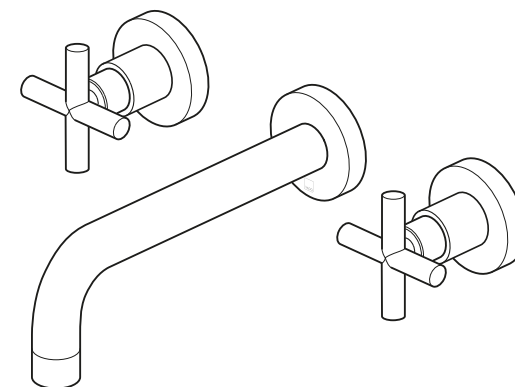
ELEMENTS



3 hole wall basin mixer
Installation Guide

This instruction booklet covers models:
ELW-109FLA-C/P

ELW-109FLA-C/P



Vado
Wedmore Road, Cheddar, Somerset, England BS27 3EB
tel 01934 744466 fax 01934 744345
aftersales@vado.com
www.vado.com



Important - please read

Please read these instructions carefully before starting installation and keep for future reference.

Remove all packaging and check the product for missing parts or damage before starting installation.

Any alterations made to this product and fittings may infringe water regulations and will invalidate the guarantee.

The installation must comply with all Local/National Water Supply Authority Regulations/Byelaws and Building and Plumbing Regulations.

To be installed in accordance with BS EN806.

We strongly recommend that you use a qualified and registered plumber.

General installation

This fitting is a mixing device and therefore water supplies should be reasonably balanced.

When installed, the fitting must comply with the requirements of the Water Supply (Water Fittings) Regulations 1999 and Scottish Byelaws 2004.

For further information, contact the Water Regulations department of your local water supplier (see the WRAS website www.wras.co.uk for details) or the Water Regulations Advisory Scheme by email (info@wras.co.uk) or telephone: 01495848454.

Before making any inlet pipe connections, all supply pipes MUST be thoroughly flushed to remove debris. Failure to do so could result in damage or low flow from the mixer unit. Water Supply (Water Fittings) Regulations 1999 Schedule 2 Section 13.

The fitting of isolating valves to the inlet feeds is advised for ease of maintenance.

Please take great care when installing this mixer not to damage its surface.

Please note if installing in an enclosed environment, access should be left for servicing and maintenance. No costs relating to inadequate access can be accepted.

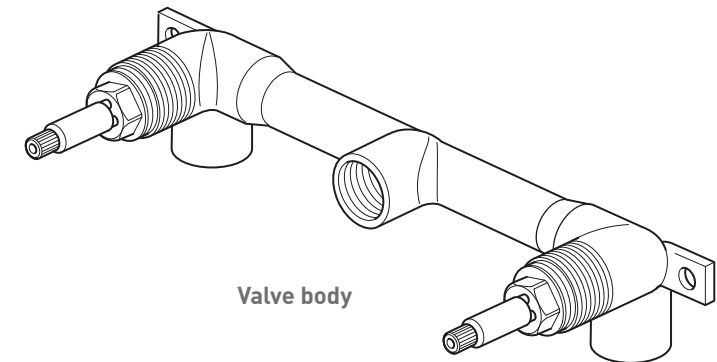
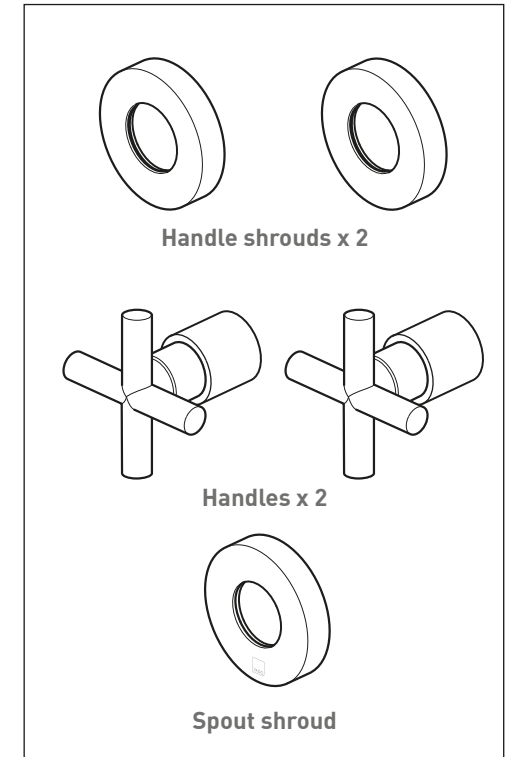
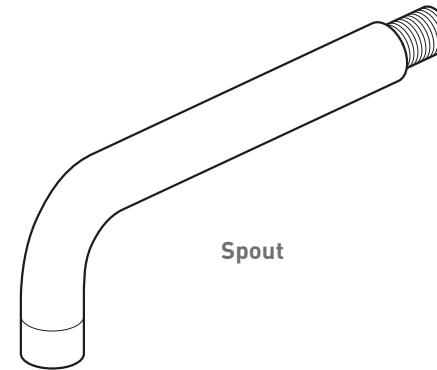
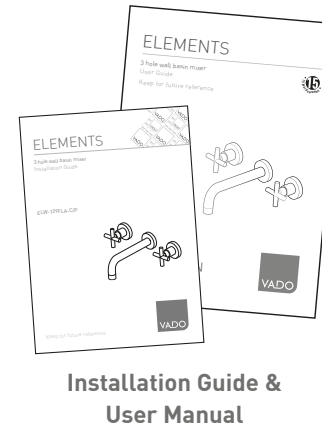
Operating Specifications

Operating Pressure

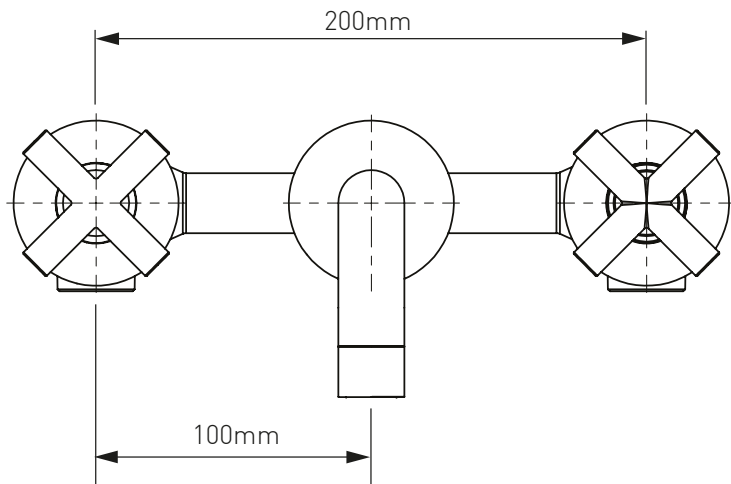
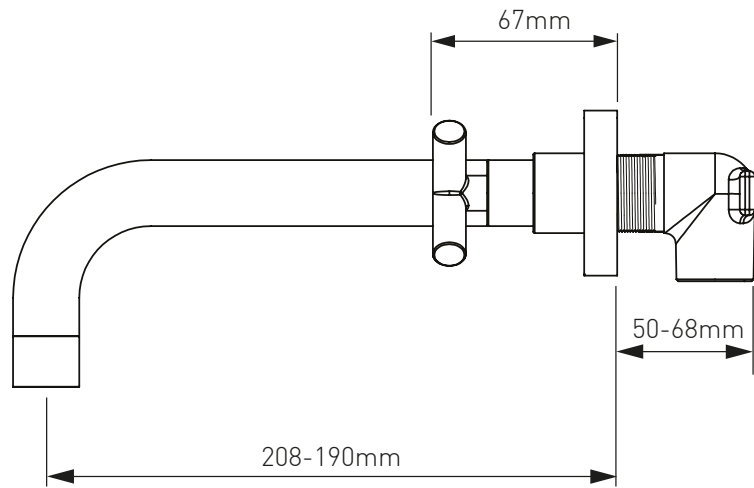
Minimum operating pressure **0.2 bar**

Maximum operating pressure **5 bar**

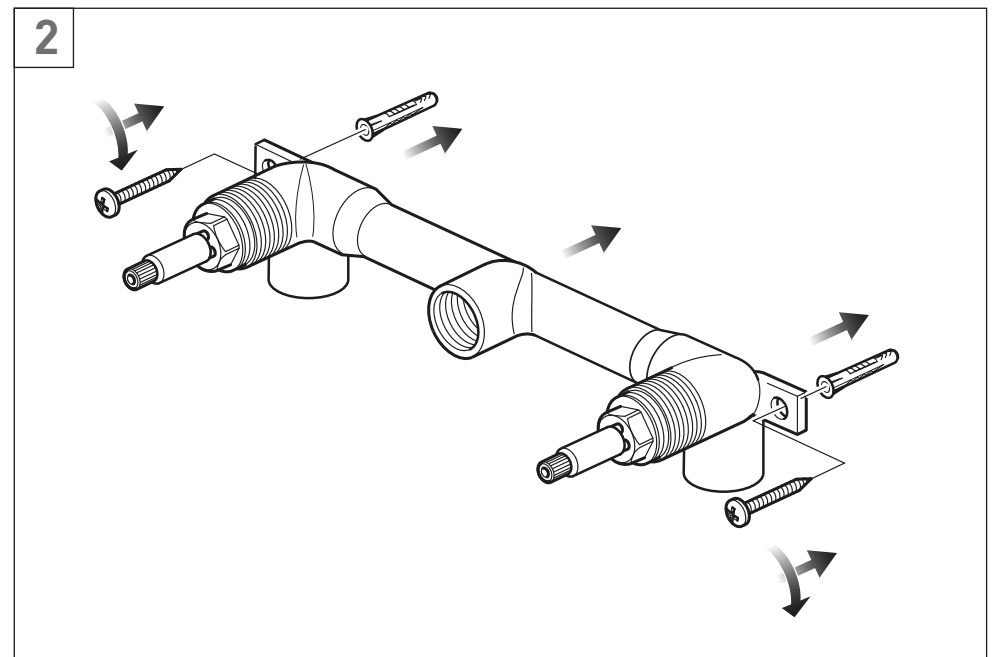
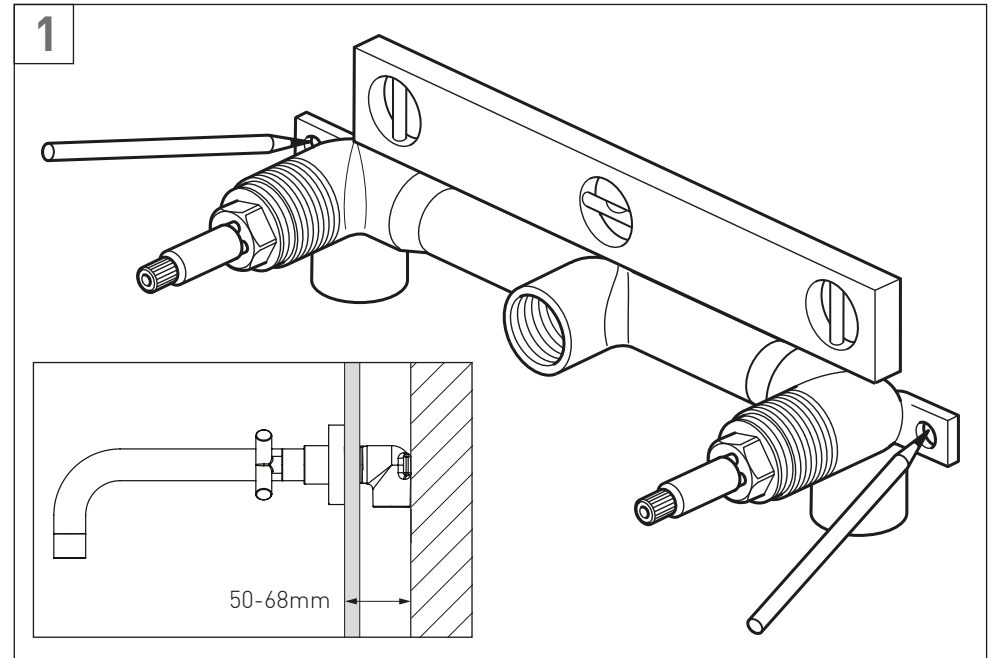
Contents of Packaging



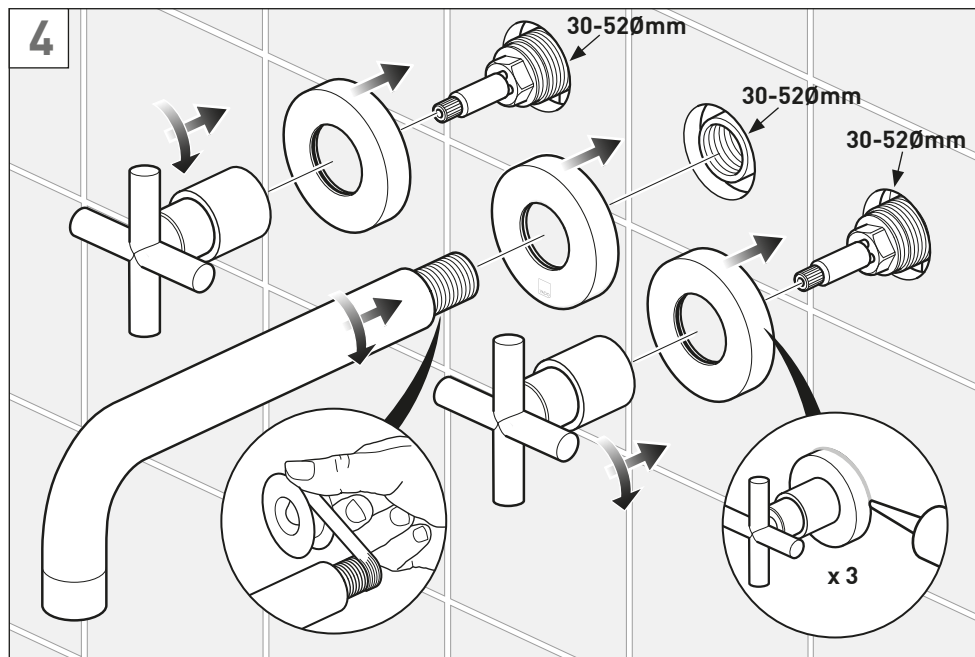
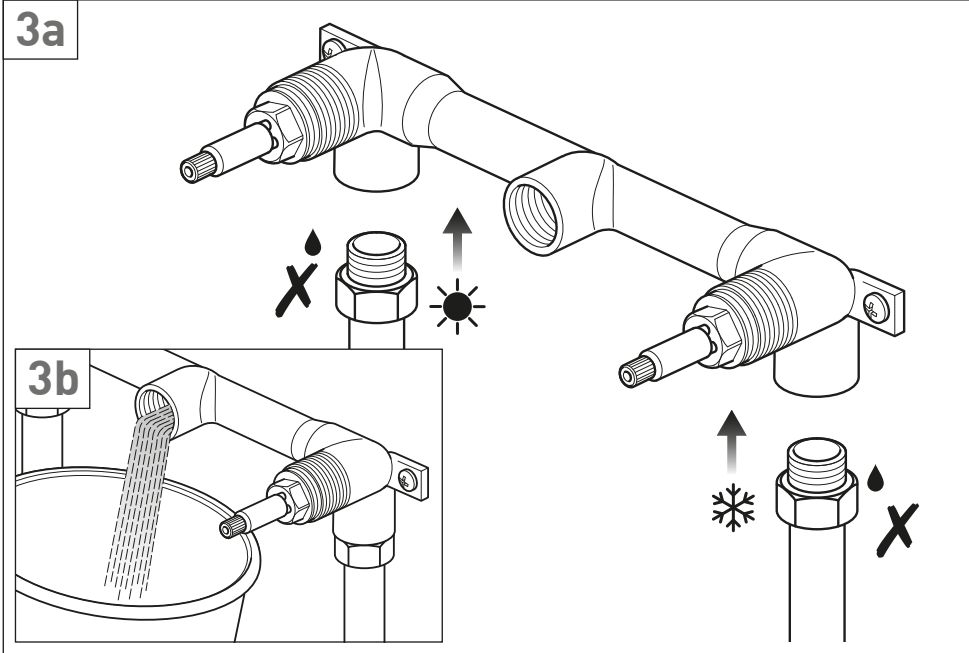
Dimensions



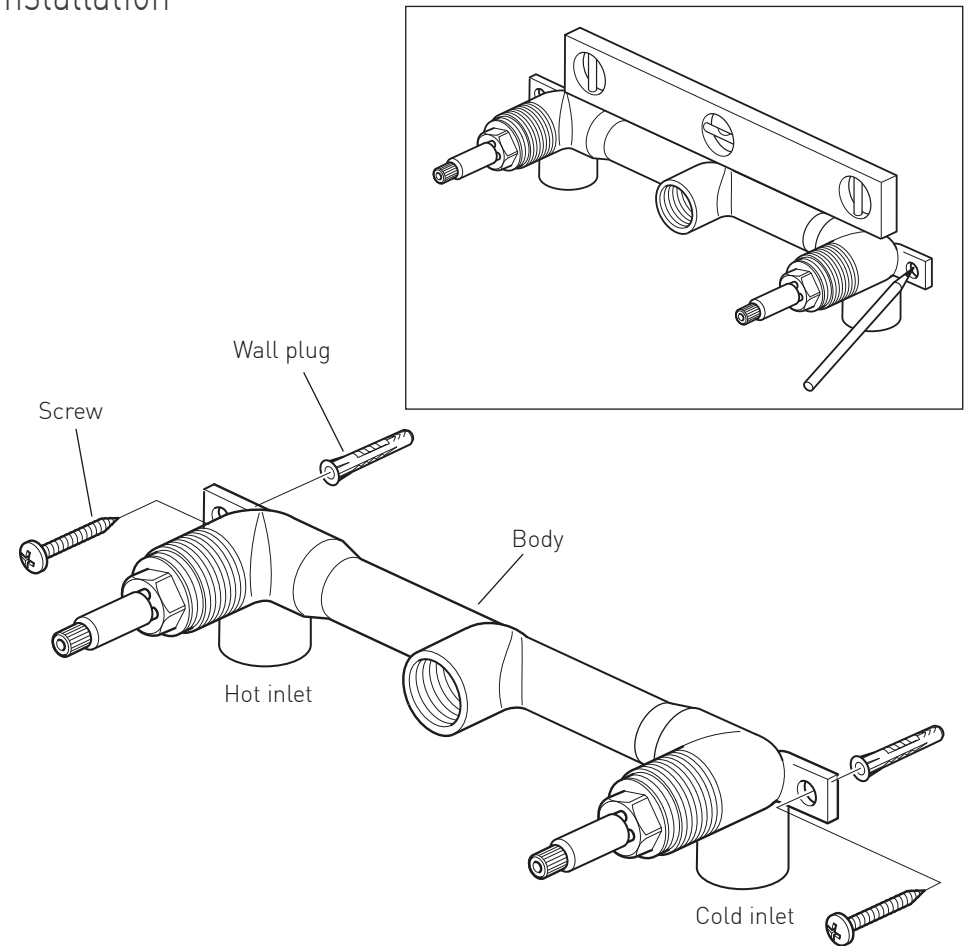
Installation - Quick guide



Installation - Quick guide

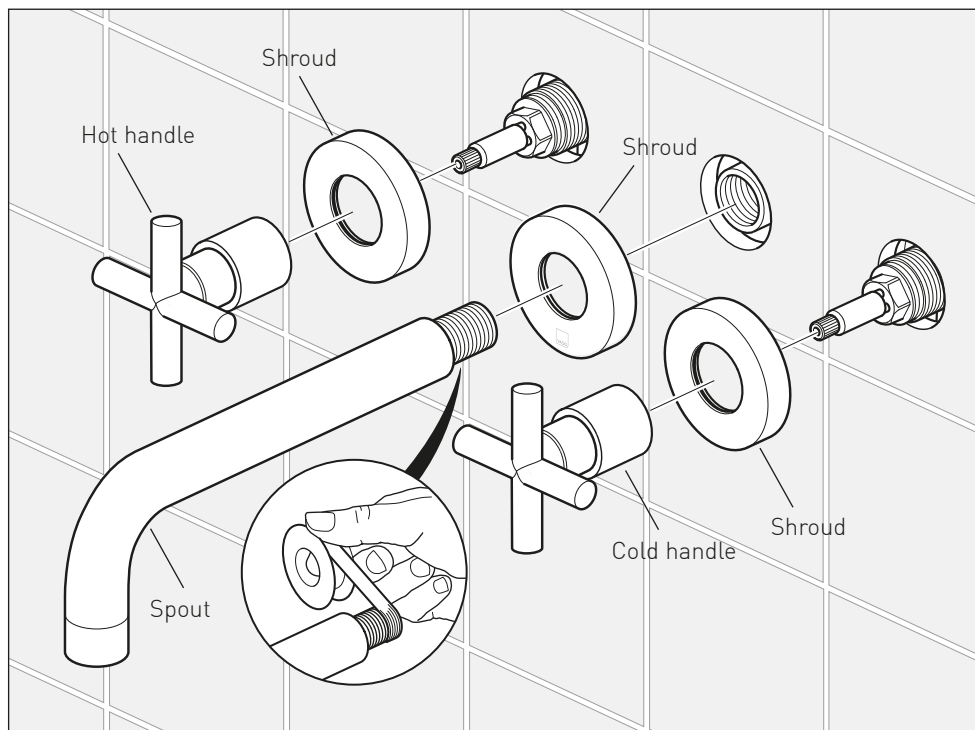


Installation



- ⚠ Warning!** Please check for any hidden cables and pipes before drilling holes in the wall.
- Before installing your new mixer, flush through pipe work to ensure removal of debris, turn off the water supply.
- The valve must be set into the wall (50mm min - 68mm max).
- Offer the valve up to the wall making sure it is level, mark the 2 wall fixing positions and secure using suitable fixings. If you are fitting to a partition wall or a wall of particularly soft substrate you will need specialist fixings.
- Make all connections to the valve. Connect hot supply to the left inlet and cold supply to the right inlet.
- Before completing the wall finish, turn water supply on, check the leak tightness and function of the fitting.
- Finish the wall, tiles etc. Leaving spacing (between min and max hole diameters) around the three housings.

Installation



Spout

Slide the shroud over the spout, using PTFE tape screw the spout into the valve making sure that the spout is facing downwards. Slide the shroud up to the wall and finish with a small bead of suitable sealant round the edge of the shroud.

Handles

Slide the shroud over the handle. Carefully slide the handle onto the splines of the valve then screw the handle onto the valve, finally slide the shroud up to the wall.

Repeat for the other handle.

Notes:

Notes:

Notes: