

BUXTON CRANKED BATH SHOWER MIXER



Product Code	TPBUXBSMC
Weight (Kg)	2.7
Material	Brass, zinc, ceramic, stainless steel
Finish	Chrome
Min Pressure	0.2
Max Pressure	5

Flow rates (litres per minute)

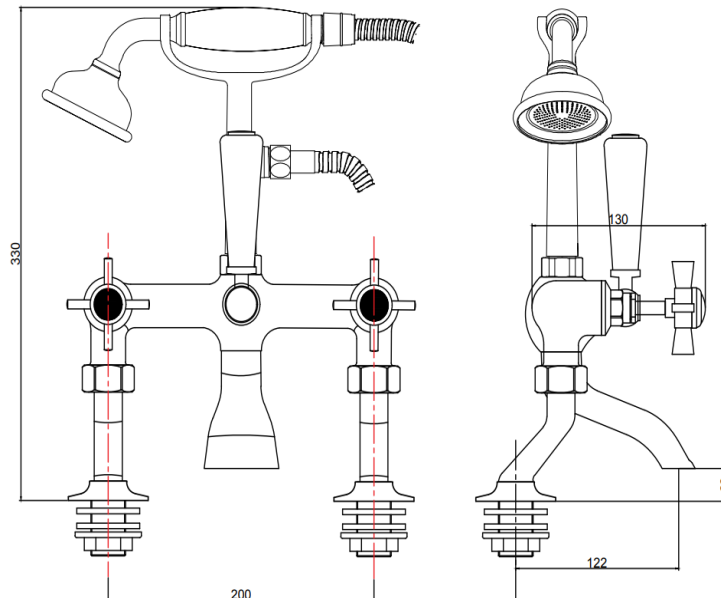
0.5 Bar	1 Bar	3 Bar
5.2	6.9	13.5

Key features:

- Chrome finish
- Inlet connection: G 3/4"
- G 1/2" compression cartridge
- Back nut
- 10 year guarantee*

Description:

The Buxton Cranked Bath Shower Mixer is made from solid brass with zinc handles, all in a polished chrome finish. It has crosshead handles and classic styling that makes for a modern twist on traditional styling. It is suitable for use with all plumbing systems with a minimum operating pressure of 0.2 bar.



All dimensions are approximate and subject to normal ceramic variation. Although every effort is made not to change the above product specification, Lecico reserve the right to do so without prior notification if necessary. *Against manufacturers defects. Full information on guarantees available upon request.