

BUXTON MONO MIXER



Product Code	TPBUXMONO
Weight (Kg)	1.2
Material	Brass, zinc
Finish	Chrome
Min Pressure	0.2
Max Pressure	5

Flow rates (litres per minute)

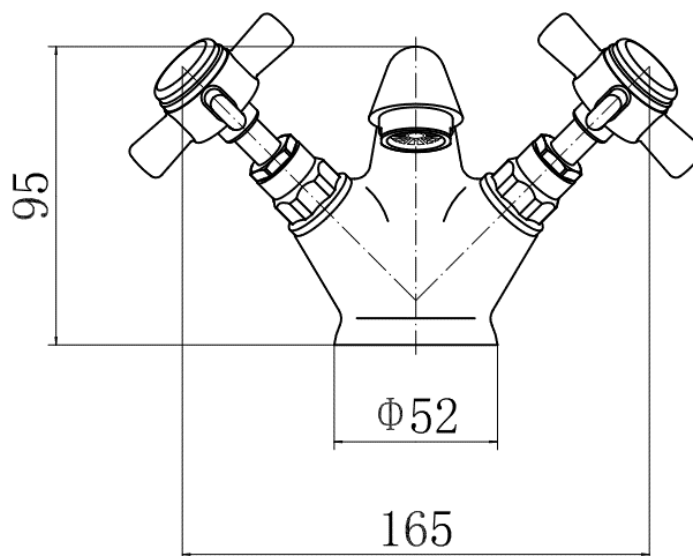
0.5 Bar	1 Bar	3 Bar
17.3	23.8	40.8

Key features:

- Chrome finish
- Inlet connection: G 1/2"
Tail end M10
400mm hose
- G 1/2 quarter turn cartridge
- 10 year guarantee*

Description:

The Buxton Bath Shower Mixer is made from solid brass with zinc handles, all in a polished chrome finish. It has crosshead handles and classic styling that makes for a modern twist on traditional styling. It is suitable for use with all plumbing systems with a minimum operating pressure of 0.2 bar.



All dimensions are approximate and subject to normal ceramic variation. Although every effort is made not to change the above product specification, Lecico reserve the right to do so without prior notification if necessary.
*Against manufacturers defects. Full information on guarantees available upon request.