

# CEDAR MONO MIXER AND CLICK CLACK WASTE



<b>Product Code</b>	<b>TPCEDMONO</b>
<b>Weight (Kg)</b>	0.8
<b>Material</b>	Brass, zinc
<b>Finish</b>	Chrome
<b>Min Pressure</b>	0.2
<b>Max Pressure</b>	5

**Flow rates ( litres per minute)**

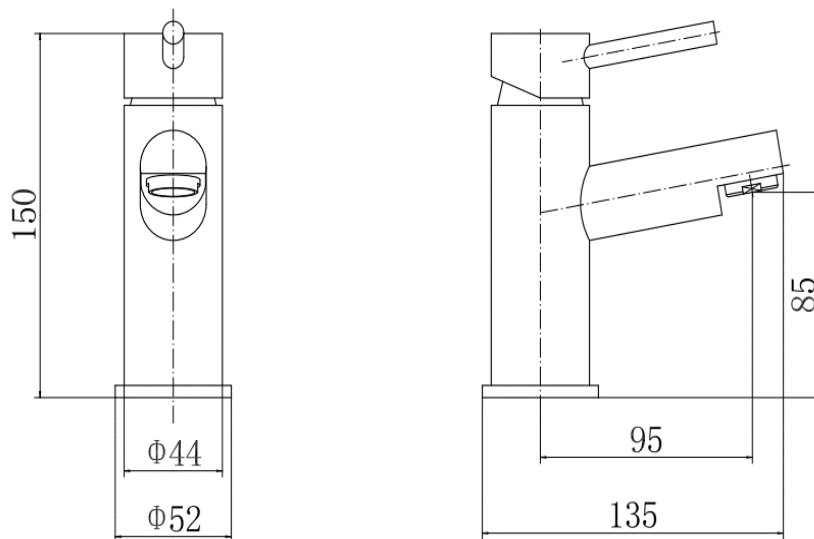
<b>0.5 Bar</b>	<b>1 Bar</b>	<b>3 Bar</b>
7.9	11	18.8

**Key features:**

- Chrome finish
- Inlet connection: G 1/2"
- Tail end M10 400mm hose
- 35mm ceramic cartridge
- 10 year guarantee\*

**Description:**

Ever-popular and classically Lecico, Cedar has remained principally unchanged since its first release. The Cedar Mono Mixer is made from solid brass with zinc handles, all in a polished chrome finish. It is suitable for use with all plumbing systems with a minimum operating pressure of 0.2 bar.



All dimensions are approximate and subject to normal ceramic variation. Although every effort is made not to change the above product specification, Lecico reserve the right to do so without prior notification if necessary.  
 \*Against manufacturers defects. Full information on guarantees available upon request.