

## CEDAR TALL MONO MIXER



<b>Product Code</b>	<b>TPCEDMONOT</b>
<b>Weight (Kg)</b>	1.2
<b>Material</b>	Brass, zinc
<b>Finish</b>	Chrome
<b>Min Pressure</b>	0.2
<b>Max Pressure</b>	5

### Flow rates ( litres per minute)

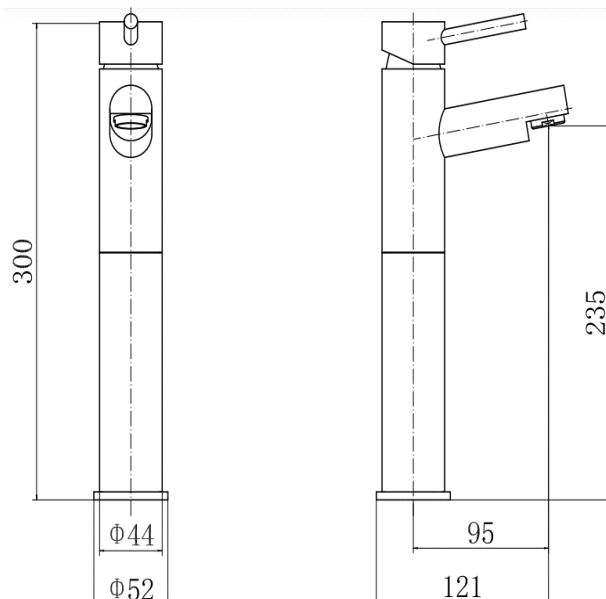
0.5 Bar	1 Bar	3 Bar
7.9	11	18.8

### Key features:

- Chrome finish
- Inlet connection: G 1/2"  
Tail end M10  
600mm hose
- 35mm ceramic cartridge
- 10 year guarantee\*

### Description:

Ever-popular and classically Lecico, Cedar has remained principally unchanged since its first release. The Cedar Tall Mono Mixer is made from solid brass with zinc handles, all in a polished chrome finish. It is suitable for use with all plumbing systems with a minimum operating pressure of 0.2 bar. This mixer does not include a waste.



All dimensions are approximate and subject to normal ceramic variation. Although every effort is made not to change the above product specification, Lecico reserve the right to do so without prior notification if necessary.  
\*Against manufacturers defects. Full information on guarantees available upon request.