

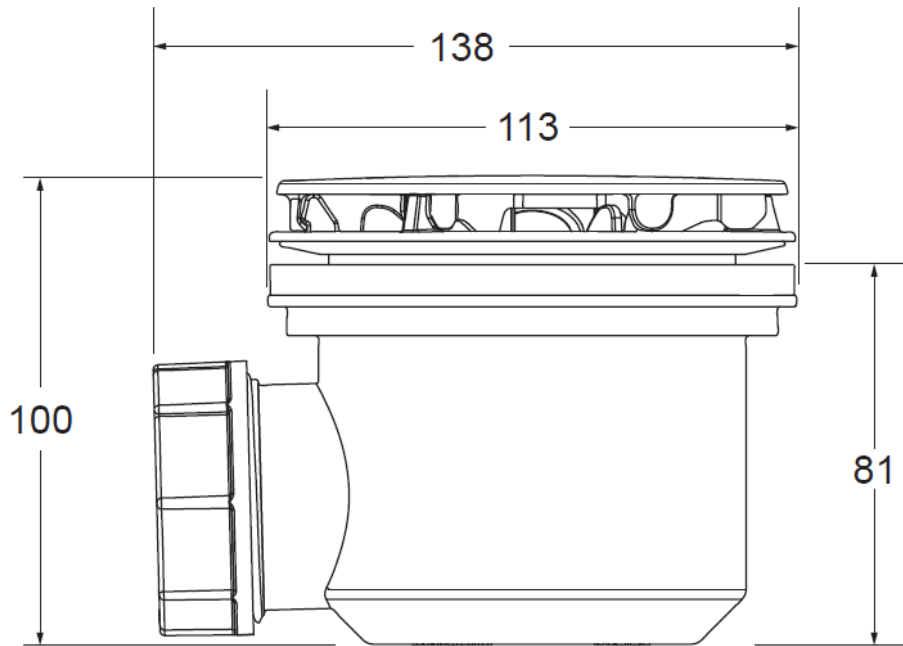
## Mira Rapi-Flow 90mm Shower Waste. (T03Wa)

Used on all Mira Flight Low and Kohler Low Profile shower trays from the end of May 2022, in place of the Wirquin Twisto 90mm shower waste.

Water seal depth is over the required 50mm (approx. 58mm).

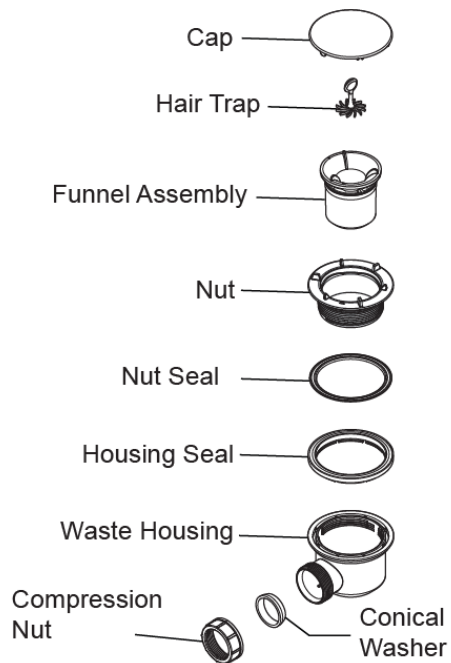
Flow rate = 34 litres/min (max flow rate in ideal conditions)



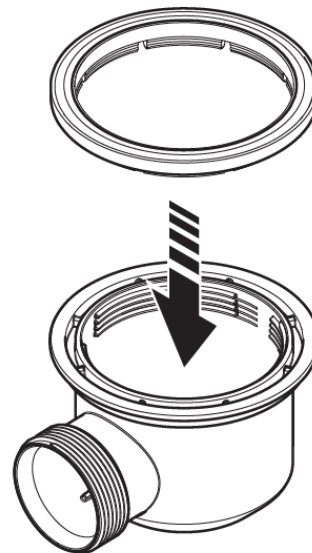


**Fitting Instructions and key points:**

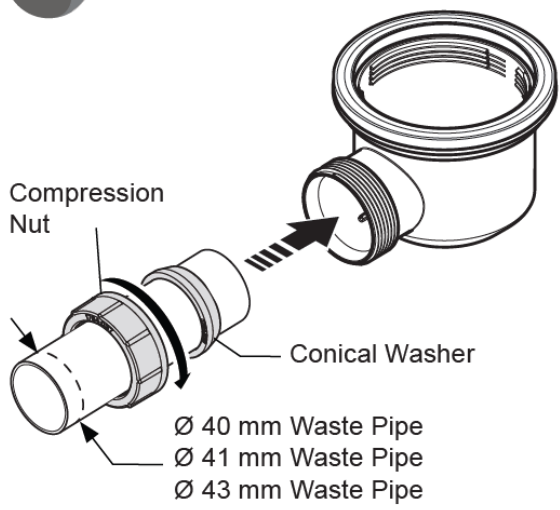
**1 Waste Parts Breakdown**



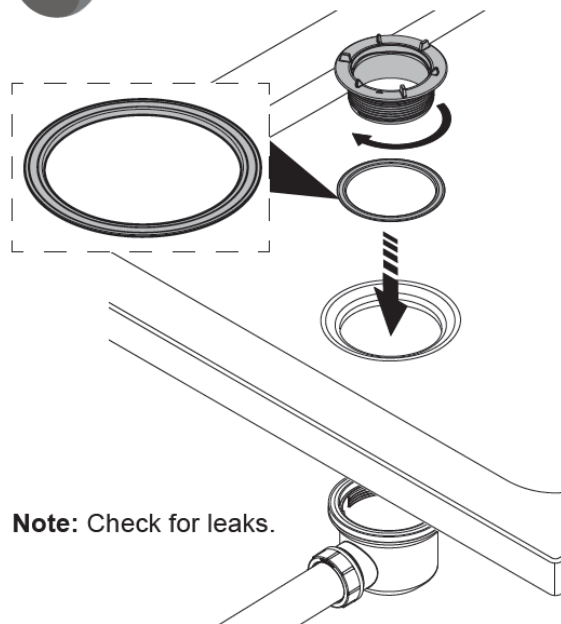
**2**



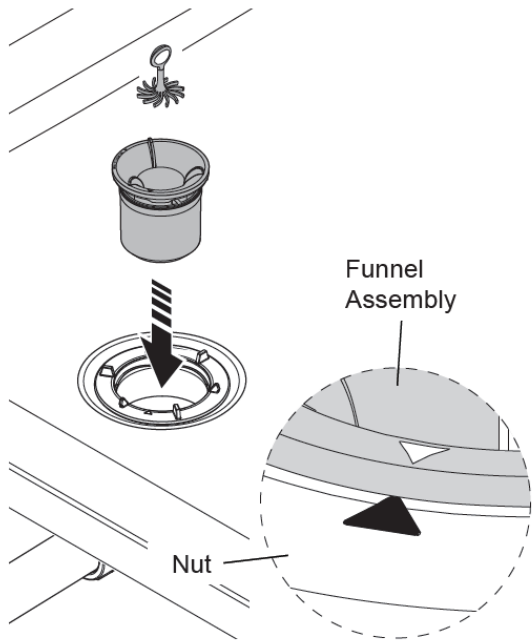
3



4

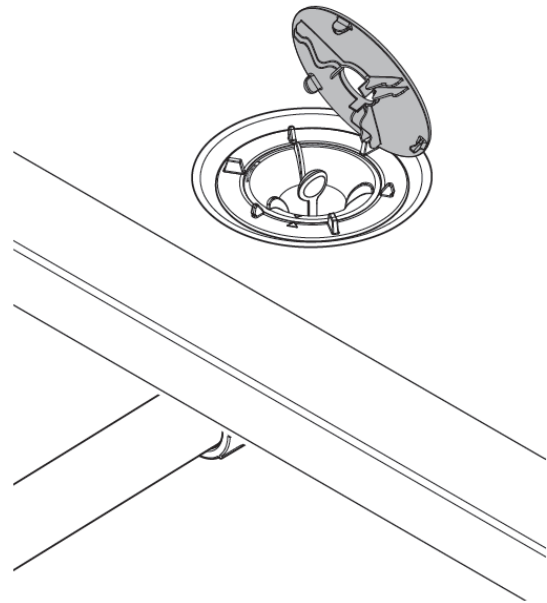


5



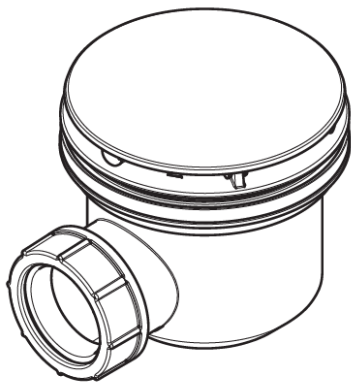
When fitting the funnel into the waste body, you **MUST** ensure the two arrows are aligned.

6



When fitting the waste cap, ensure the features are aligned as illustrated, the cap should click into place.

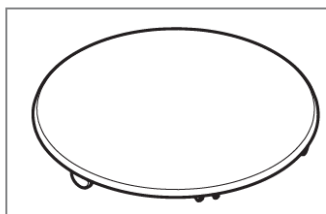
**Spare Parts Breakdown:**



**4.1970.009**  
Mira Rapi-Flo Waste Assembly  
(Complete waste assembly, with  
all parts & chrome waste cap)



**4.1970.008**  
Hair Trap

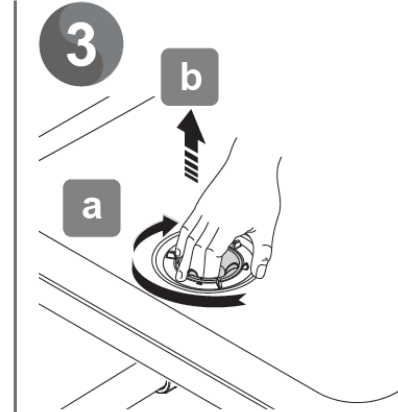
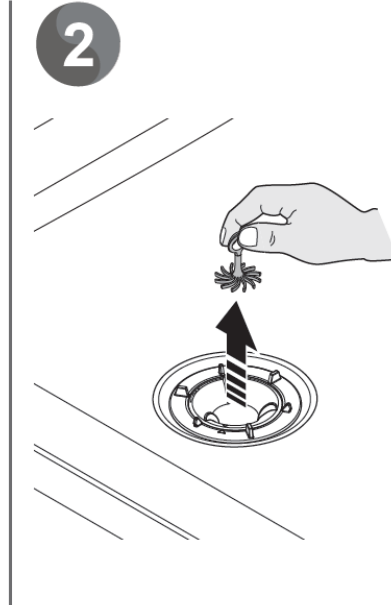
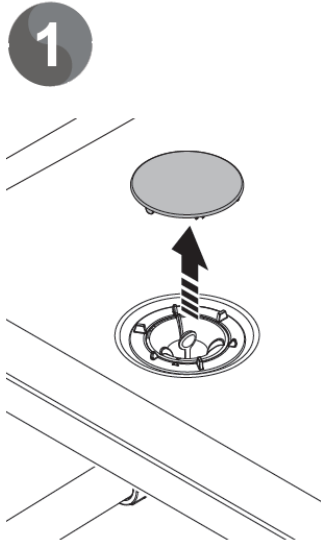


**4.1970.007**  
Mira Rapi-Flo Waste Cap (Chrome)

## Cleaning

Remove the hair trap and thoroughly clean under running water.

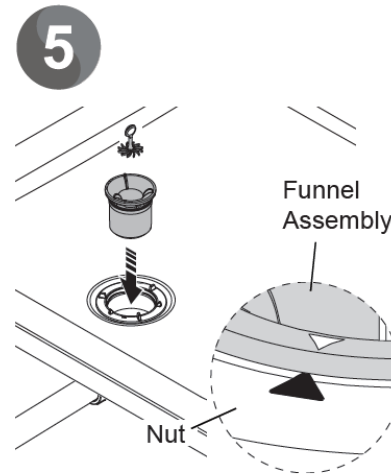
Occasionally it may be necessary to remove the funnel section for a more rigorous clean.



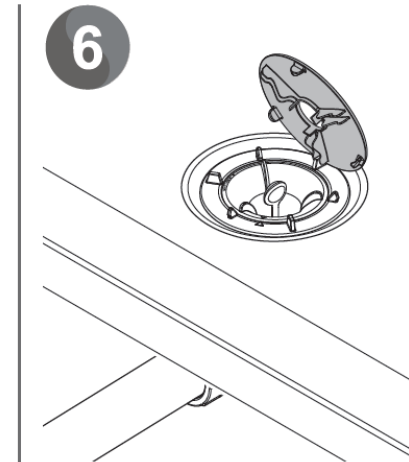
Reach into the funnel section with your fingers and pull upward in a twisting motion to remove.



Clean the hair trap thoroughly under clean running water. Flush through the waste body with clean water.



When fitting the funnel into the waste body, you **MUST** ensure the two arrows are aligned.



When fitting the waste cap, ensure the features are aligned as illustrated, the cap should click into place.

Photographs:

