

## AQUA R CONCEALED TWIN VALVE SHOWER



<b>Product Code</b>	<b>TPAQR03</b>
<b>Weight (Kg)</b>	2.3
<b>Material</b>	Brass, zinc, stainless steel
<b>Finish</b>	Chrome
<b>Min Pressure</b>	0.5
<b>Max Pressure</b>	5

### Flow rates ( litres per minute)

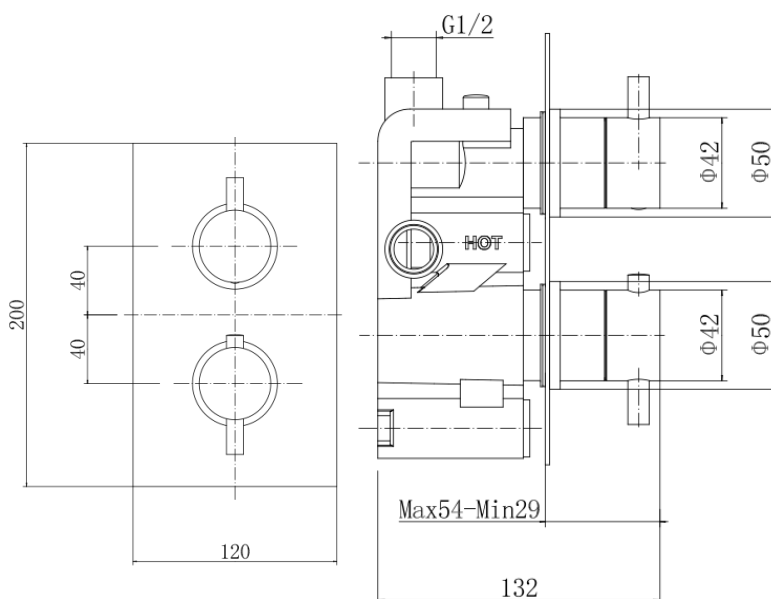
0.5 Bar	1 Bar	3 Bar
6.8	9.5	14.3

### Key features:

- Temperature factory set to a 38°C
- One outlet
- 10 year guarantee
- Thermostatic Cartridge and 3/4" Quarter Turn Cartridge
- Inlet connection: G 3/4"
- Outlet connection: G 1/2"

### Description:

The Aqua R Concealed Twin Valve Shower is a modern design suited to any contemporary bathroom. Thermostatic cartridge maintains showering temperature to +/- 2c giving a stable outlet temperature. Automatic shut-off in the event of cold water supply failure.



All dimensions are approximate and subject to normal ceramic variation. Although every effort is made not to change the above product specification, Lecico reserve the right to do so without prior notification if necessary. \*Against manufacturers defects. Full information on guarantees available upon request.