

HAMPTON MONO BASIN MIXER AND CLICK CLACK WASTE



Product Code	TPHAM05
Weight (Kg)	1.0
Material	Brass, zinc
Finish	Chrome
Min Pressure	0.2
Max Pressure	5

Flow rates (litres per minute)

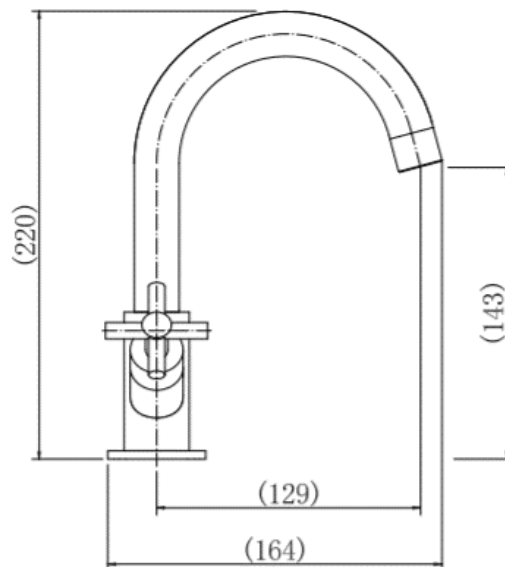
0.5 Bar	1 Bar	3 Bar
12.8	17.7	30.4

Key features:

- Chrome finish
- Inlet connection:
G 1/2"
Tail end M10
400mm hose
- 35mm ceramic cartridge
- 10 year guarantee*

Description:

The Hampton Mono Mixer is a hybrid of traditional styling and modern trends. Made from solid brass with zinc handles, all in a polished chrome finish. It is suitable for use with all plumbing systems with a minimum operating pressure of 0.2 bar.



All dimensions are approximate and subject to normal ceramic variation. Although every effort is made not to change the above product specification, Lecico reserve the right to do so without prior notification if necessary.
*Against manufacturers defects. Full information on guarantees available upon request.