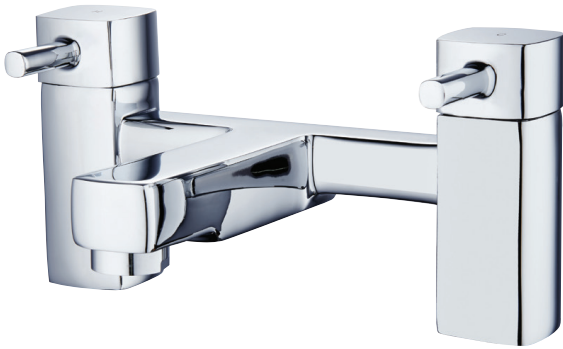


MIRIMAR BATH FILLER



Product Code	TPMIRDMBF
Weight (Kg)	1.9
Material	Brass, zinc
Finish	Chrome
Min Pressure	0.2
Max Pressure	5

Flow rates (litres per minute)

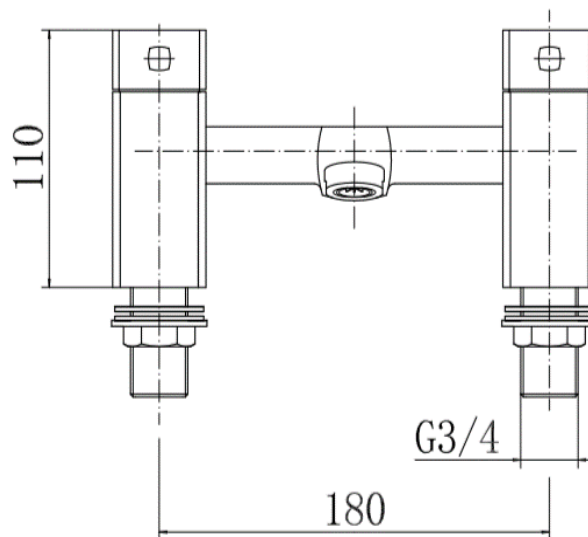
0.5 Bar	1 Bar	3 Bar
34.7	48.4	78.5

Key features:

- Chrome finish
- Inlet connection: G 3/4"
- G 3/4" quarter turn cartridge
- Back nut
- 10 year guarantee*

Description:

A Lecico classic with subtle angles, Mirimar is a great companion for a wide range of baths. Made from solid brass with zinc handles, all in a polished chrome finish. They are suitable for use with all plumbing systems with a minimum operating pressure of 0.2 bar.



All dimensions are approximate and subject to normal ceramic variation. Although every effort is made not to change the above product specification, Lecico reserve the right to do so without prior notification if necessary. *Against manufacturers defects. Full information on guarantees available upon request.