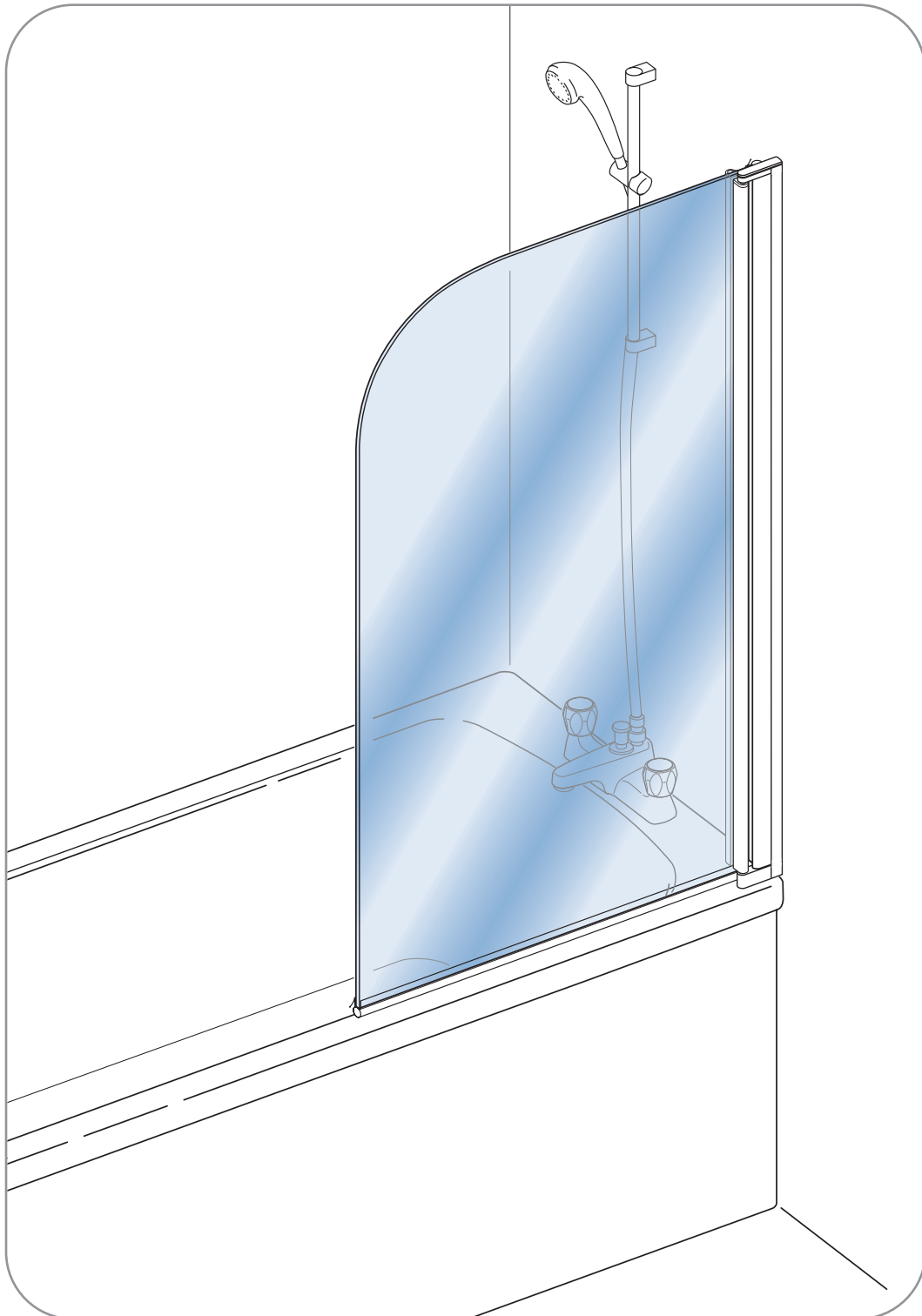


Medium Half Framed Bath Panel

PA11930



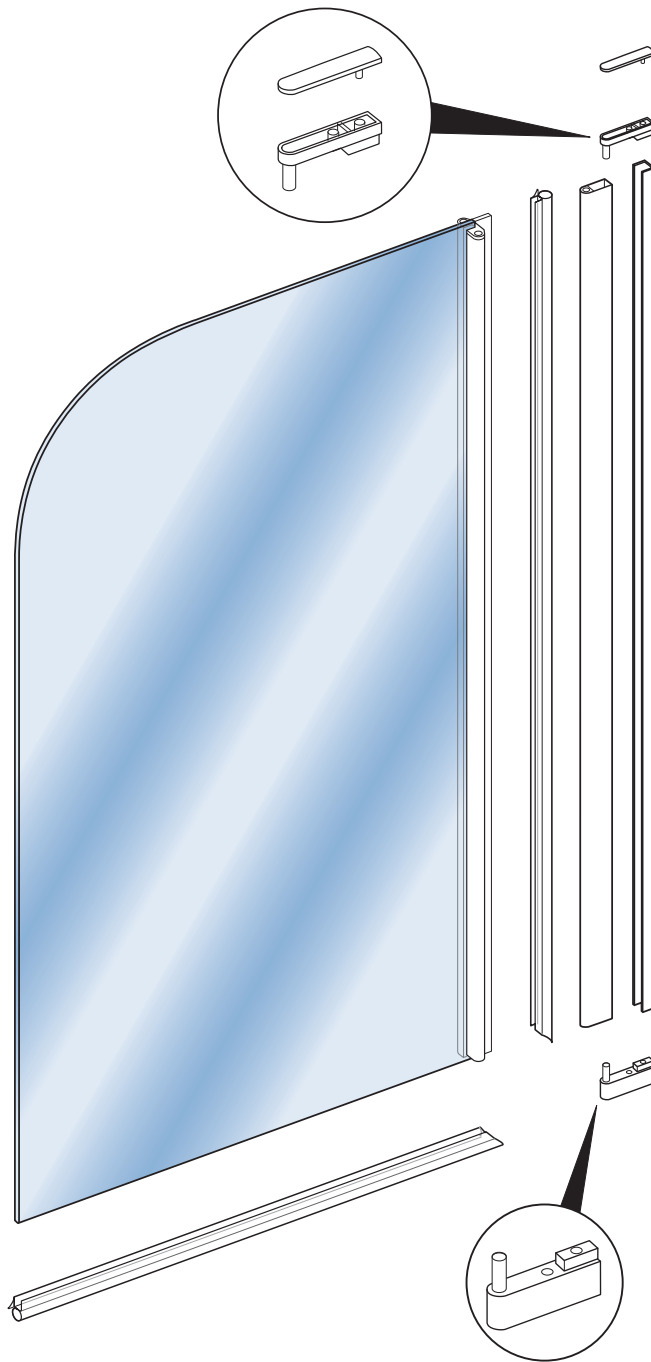
Step-by-Step Installation Guide

REF: PA11930

Issue No.: B

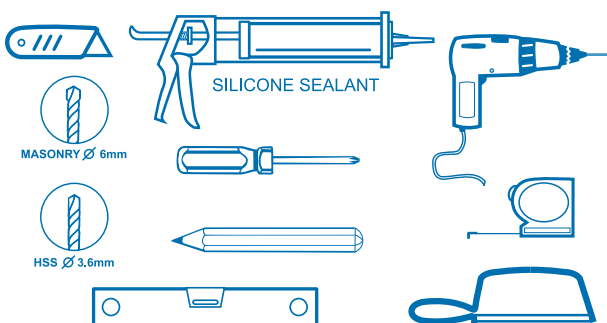
Date: 13/10/09

Medium Half Framed Bath Panel Components



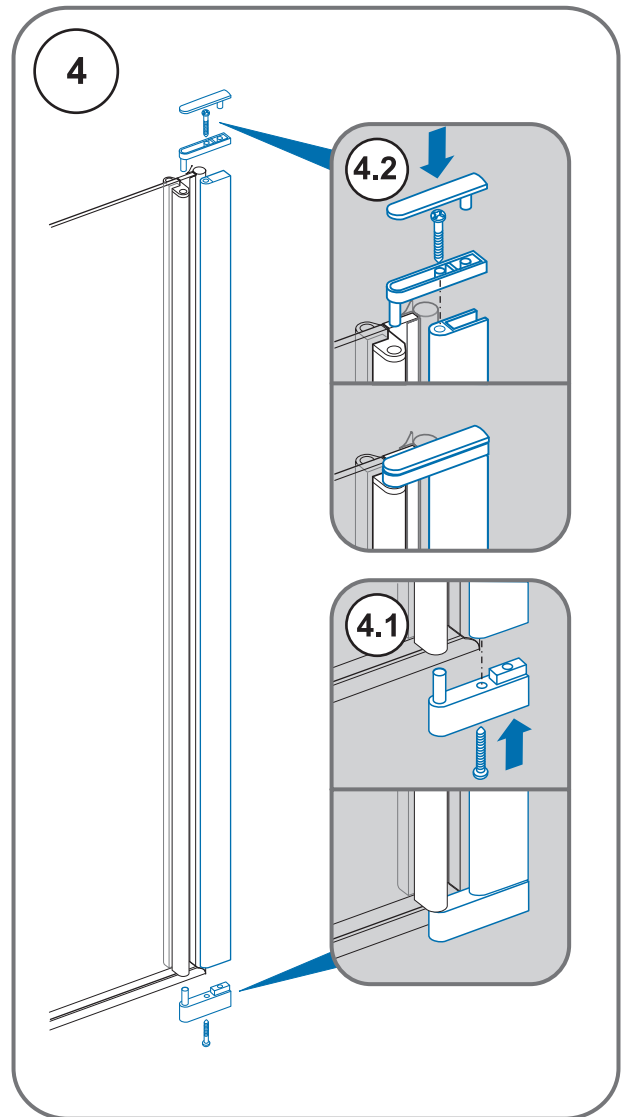
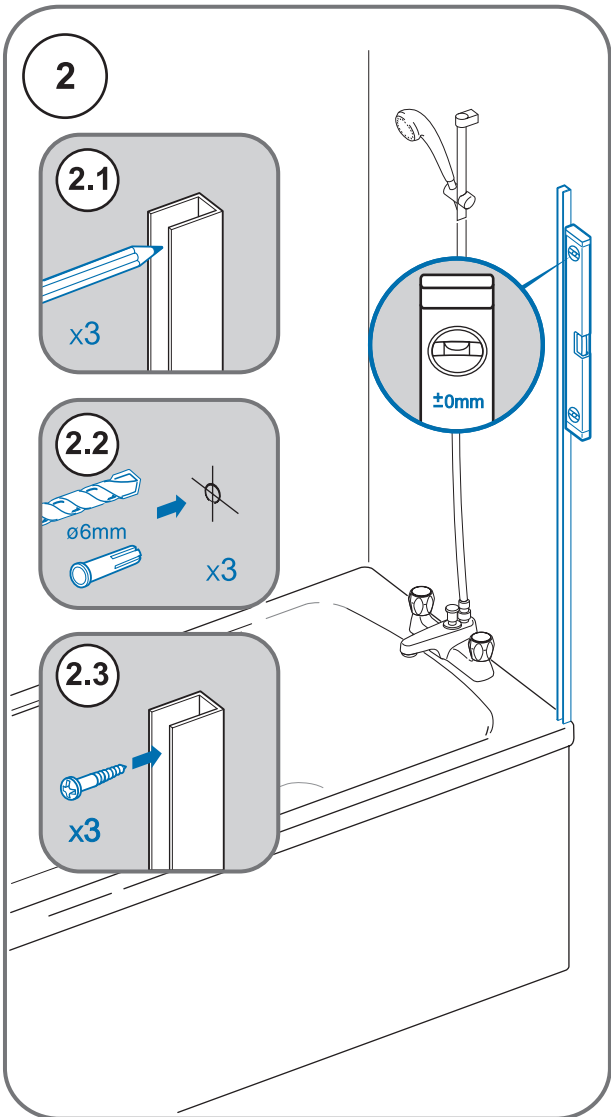
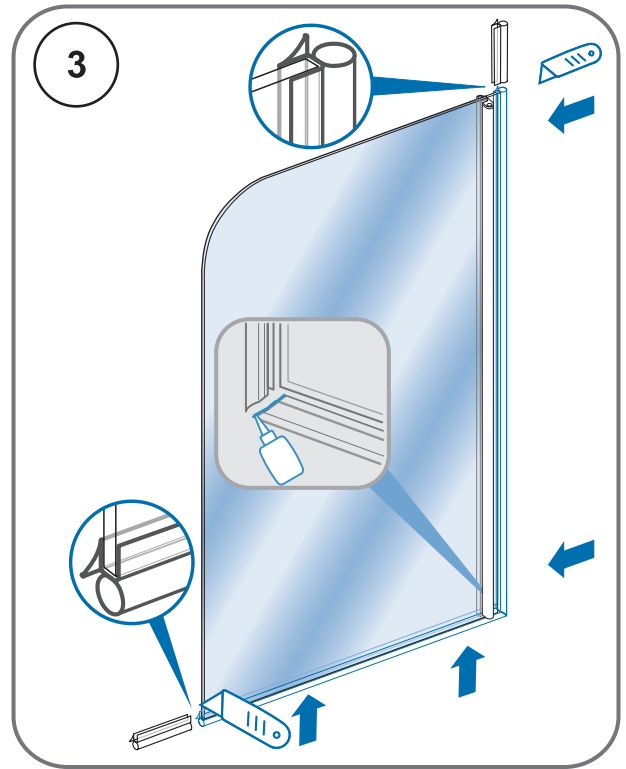
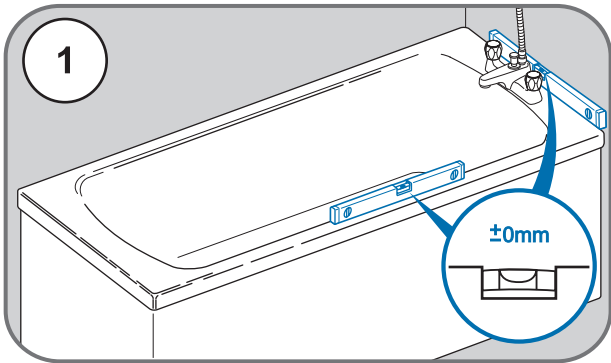
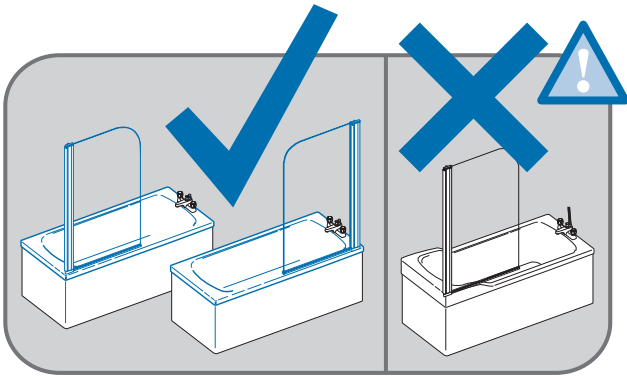
Important Note:

This product is designed to open OUTWARDS ONLY.

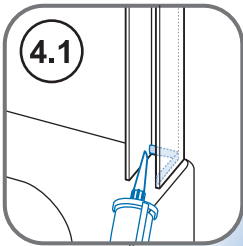


0870 241 6131

LINES OPEN: 8.30am - 5.00pm MONDAY - FRIDAY
STANDARD NATIONAL CALL CHARGE RATE
FROM BT LANDLINES



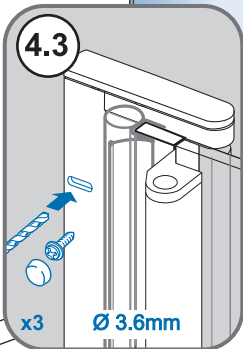
4



4.1



4.2



4.3

x3

Ø 3.6mm

5



24 hour

