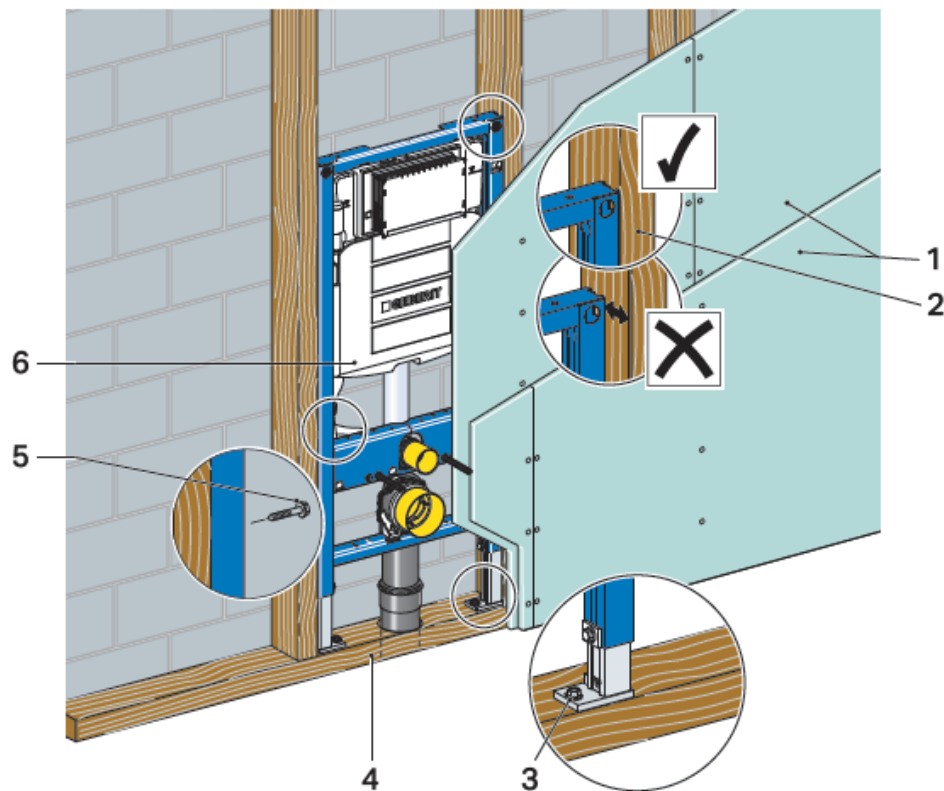


In order to ensure that the wood frame wall remains stable during the installation of the installation elements, the minimum requirements apply.



1. Double-layer paneling
2. Surface-even mounting of the installation element with the front edge of the stud
3. Fastening of installation element on threshold
4. Threshold
5. Fastening of installation element on wood frame
6. Duofix installation element for wall-hung WC

When the installation walls are mounted on wooden floors, the support system fastenings must be positioned directly on the beam. Wood screws with a diameter of 7 mm must be used for this. The design of a wood frame wall is set out in standards. These apply to both front and rear walls:

- DIN 4103-4:1988-11 "Internal non-loadbearing partitions; partitions with timber framing"

Please consider ultimately it will be your installers responsibility that the product is installed safely and according to current UK legislation