

COBALT BLK SHWR PK

COBALT Shower Range

Black Cobalt Shower Pack



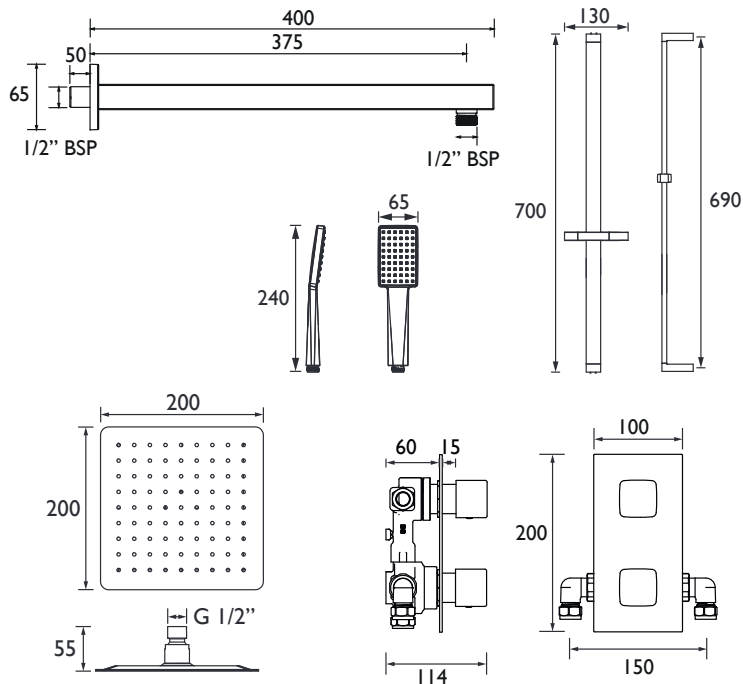
Specification

| | |
|--|-------------------------------------|
| Finish/Colour: | Black |
| Main Construction Material: | Brass; ABS |
| No of Controls: | 2 |
| Shower Type: | Dual Control |
| Shower Kit: | Fixed Head and Adjustable Riser Kit |
| Valve/Cartridge Type: | 35mm Thermostatic Cartridge |
| Maximum Hot Water Supply Temperature °C: | 65 |
| Plumbing System Suitability: | Suitable for all plumbing systems |
| Minimum Dynamic Pressure (bar): | 0.2 |
| Maximum Dynamic Pressure (bar): | 5 |
| Maximum Static Pressure (bar): | 10 |
| Connection Inlet: | 15mm Compression |
| Connection Outlet: | G 1/2" |
| Isolation Valve Included: | No |
| Check Valve Included: | Yes |

Features:

- This shower pack has soft square handles on our Cobalt shower valve with integral two outlet diverter. It has a 200mm square fixed head with shower arm; a single function handset and hose with integral handset holder and wall outlet.
- Rub-clean anti-limescale fixed head and handset
- A black finish that will make a statement in any bathroom
- Dual control - flow and temperature are controlled separately
- Cartridge can be accessed from the front and requires rear access to service filters
- 15mm inlet connections

Dimensions (measurements in mm)



Product Certifications:



For more products, visit our website:
<http://www.bristan.com>



Flow Rates (l/min)

| System Pressure (bar) | 0.2 | 0.5 | 1 | 2 | 3 | 5 |
|--|-----|------|------|------|------|------|
| Through Handset (mixed) | 1.6 | 3.5 | 5.5 | 8.5 | 10 | 11 |
| Through Fixed Head (mixed) | 2.5 | 4.2 | 5.9 | 6.5 | 7.3 | 8.6 |
| Through Handset (without flow regulators) | 1.7 | 4.9 | 5.9 | 8.5 | 10 | 11 |
| Through Fixed Head (without flow regulators) | 6.6 | 10.1 | 14.9 | 21.5 | 26.5 | 34.3 |

TECHNICAL DATA SHEET



BRISTAN

D1