
BRISTAN

Installation Instructions and User Guide

Bathroom Accessories

Models Covered:

RD DISH
RD HOOK
RD ROLL
RD RING
RD RAIL
RD SHELF
SQ DISH
SQ HOOK
SQ ROLL
SQ RING
SQ RAIL
SQ SHELF

**Please keep this booklet for future
reference.**

Installer, when you have read these instructions
please ensure you leave them with the user.

Installation

Single Backplate Fitting

1. Establish the position for the accessory and mark out the fixing holes. (Fig.1)
2. Drill holes to suit and insert wall plugs if required.
3. Screw the fixing plate to the wall, with the back flat to the wall. (Fig.2)
4. Loosen off the grub screw (but do not remove) and place the accessory over the fixing plate with the grub screw at the bottom.
5. Tighten up the grub screw until the pillar is secure against the wall.

NOTE: All centres should be measured and checked prior to drilling

Double Backplate Fitting

1. Establish the position for the accessory and mark out the fixing holes; it is recommended that the centre distance of the accessory assembly is checked prior to drilling. Drill holes to suit and insert wall plugs if required.
2. Drill holes to suit and insert wall plugs if required.
3. Screw the fixing plate to the wall, with the back flat to the wall. (Fig.2)
4. Loosen off the grub screw, but do not remove.

Towel Rail

1. Fit the towel rail to the end pillars and place them over the fixing plate with the grub screws at the bottom.
2. Tighten the grub screws until the pillars are secure against the wall.

Shelf

1. Fit shelf into the brackets and secure in position by tightening the plastic screws in the pillars.
2. Check shelf for security.

Installation

Extending Mirror

1. Establish the position for the mirror and mark out the fixing holes.
2. Drill holes to suit and insert wall plugs if required.
3. Screw the fixing plate to the wall, with the back flat to the wall. (Fig.2)
4. Loosen off the grub screw (but do not remove) and place the accessory over the fixing plate with the grub screw at the bottom.
5. Tighten up the grub screws until the pillar is secure against the wall.
6. Screw mirror down onto the extending bracket and check for security.

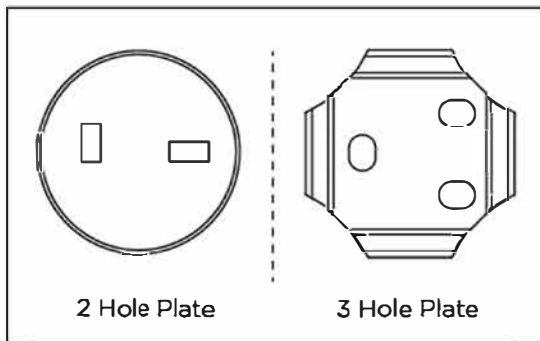


FIG. 1

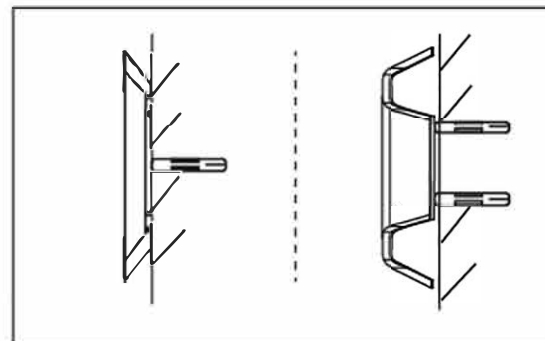


FIG. 2

NOTE: Depending on your accessory, the shape of the backplate (where supplied) may vary.

Wire Baskets

1. Establish the position for the mirror and mark out the fixing holes.
2. Check the position of the marked holes before drilling.
3. Drill holes to suit and insert wall plugs if required. Screw the fixing plate to the wall, with the back flat to the wall. (Fig.2)
4. Ensure that the brass threaded washers provided, sit between the accessory and the screw head, fit screws accordingly, see (Fig.3)
5. Fit concealing caps over the screw heads and check basket for security.

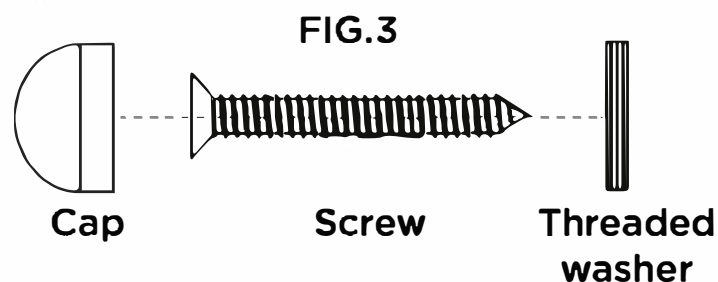


FIG.3

Part :	FI BRI ACC
Issue:	D3

BRISTAN

Bristan Group Ltd.

Birch Coppice Business Park

Dordon

Tamworth

Staffordshire

B78 1SG

Web: www.bristan.com

Email: enquire@bristan.com

A Masco Company

At Bristan, we want to make things as easy as possible for our customers. That's why we offer solid guarantees on all our products, effective from the date of purchase, to give you peace of mind.

To start your free guarantee simply scan the QR code and register your product. Alternatively visit www.bristan.com/register.

For any other queries, please call our Customer Service on 0330 026 6273 where our expert team of advisors will be able to offer you any help and advice.

For full guarantee terms and conditions visit www.bristan.com/service-centre/guarantees.



We Know & We Care