

sola single lever basin mono mixer

complete with ceramic cartridge
 accompanying flexible tails
 suitable for both high and low pressure applications



to specify/order:

Please use the product reference shown below.

sola basin mono mixer

sola basin mono mixer

SF5357CP

finish

Chrome plated CP.

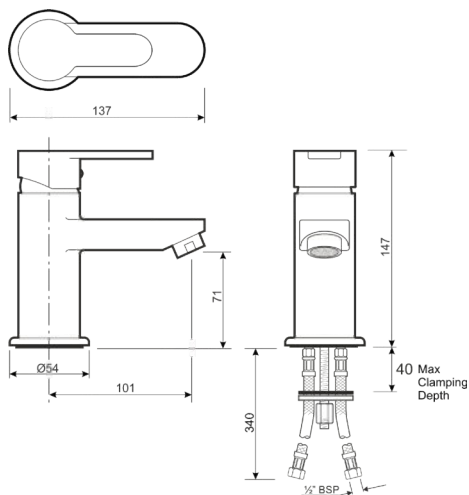
approvals

WRAS approved

recommended operating pressure

Minimum operating pressure 0.3bar.
 Maximum operating pressure 5.0bar.
 Maximum static pressure 10.0bar.

sola basin mono mixer



Mono Mixer Tap - SF5357CP

Flow Rate Max (Ltrs/Min)	0.2 Bar	0.5 Bar	1.0 Bar	2.0 Bar	3.0 Bar	5.0 Bar
With Fitted flow Restrictor	4.3	6.8	7.5	7.5	7.5	7.5
With 3.5ltr flow Restrictor	1.5	2.1	2.8	3.5	3.3	3.2
Without Flow Restrictor	4.3	6.8	9.5	13.1	16.0	20.7

All measurements shown are in millimetres.
 Drawing sizes are not to scale.



Hotels



Education



Commercial



Less Able

Twyford

Geberit Group

206