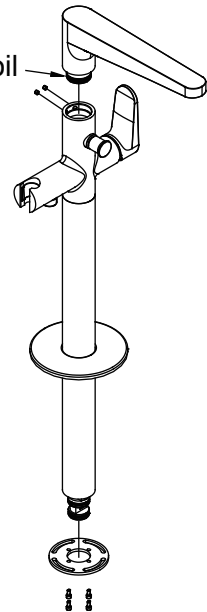


## Installation Method

9

Apply some silicon oil onto the bottom of the spout, then install the spout with the mixer body, then fasten the spout. Put the base plate through middle hole of the mixer body, then using fixing bolts to install the plate with the bottom flange.

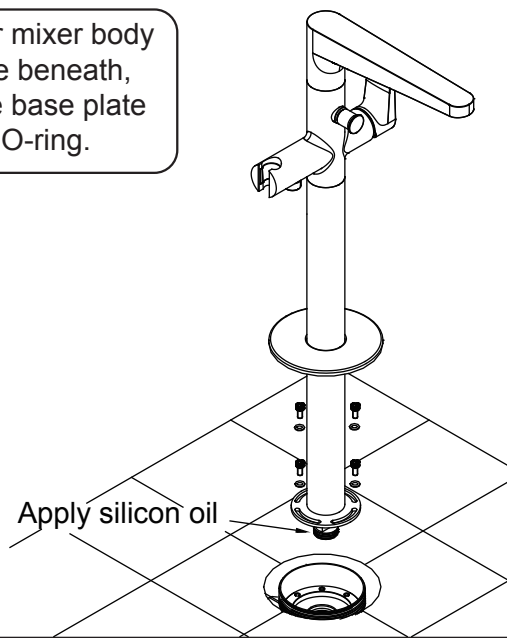
Apply silicon oil



10

Install the upper mixer body kit with the valve beneath, and fasten it the base plate with fixing bolts O-ring.

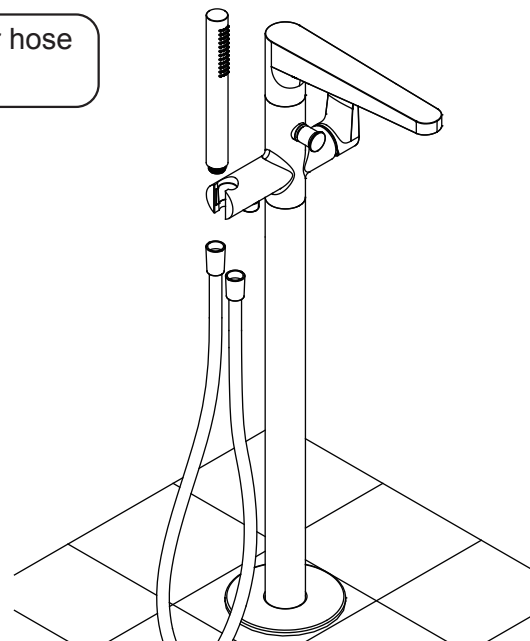
Apply silicon oil



## Installation Method

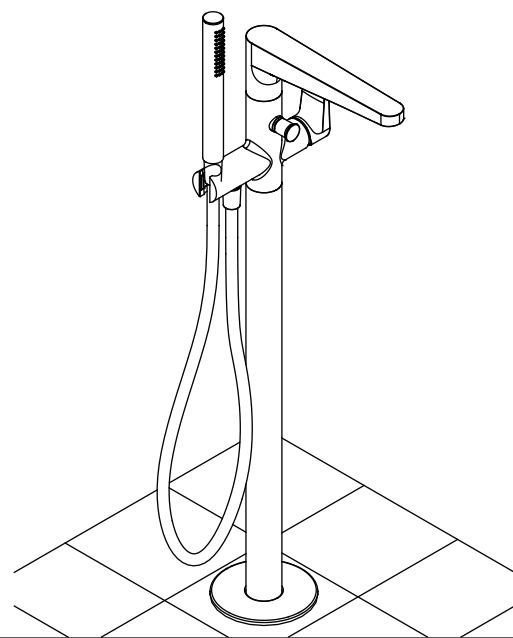
11

Install the shower hose and hand shower



12

Finished



# RAK

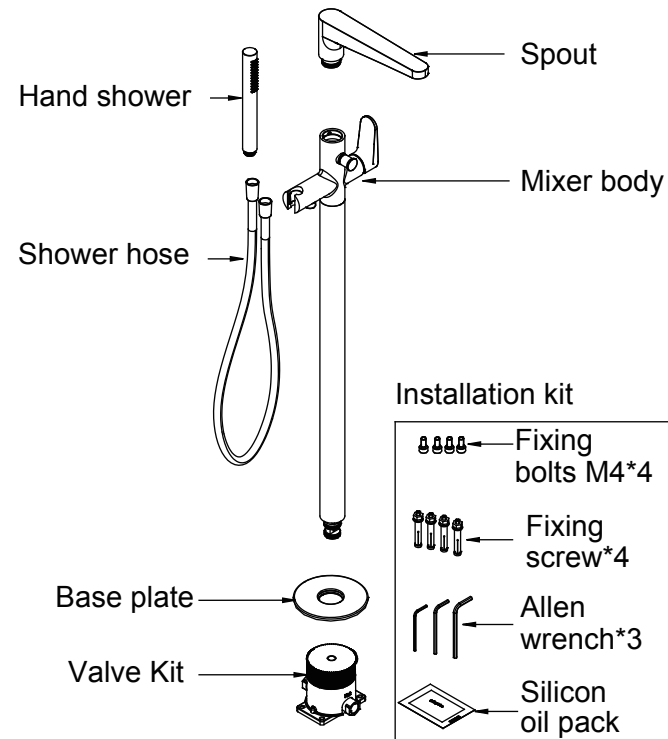
CERAMICS

Free standing bath/shower mixer  
Instruction Guide

## Installation Method

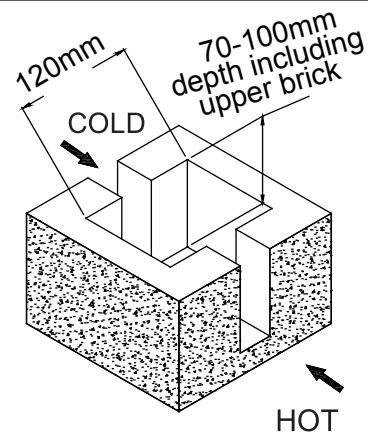
1

Preparation before installation



2

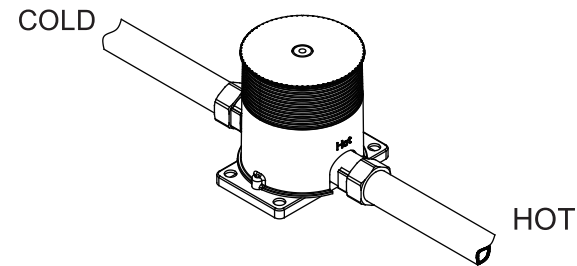
Installation Slot underground size must over 120 x 130 mm, depth 70-100mm including the upper brick



## Installation Method

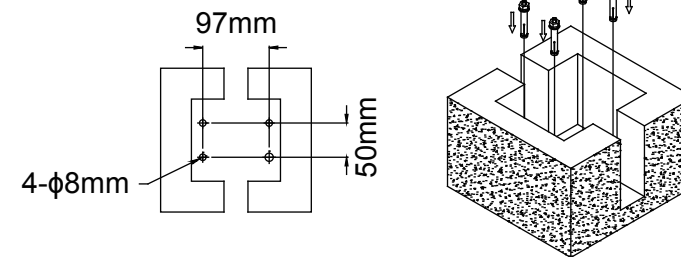
3

Connect the valve with plumbing, ensure it is in horizontal measuring by the level, then fasten the fixing screws.



4

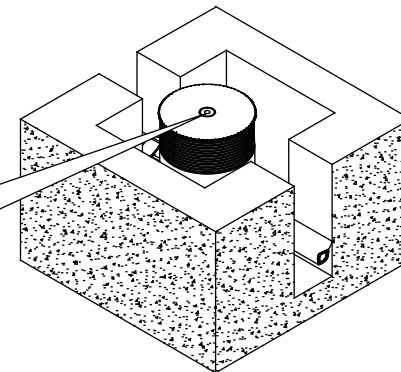
Drilling 4 installation holes at the bottom, then fix and fasten the 4 installation bolts



5

Put in the valve and fasten it with fixing bolts, ensure it is in horizontal measuring by the level.

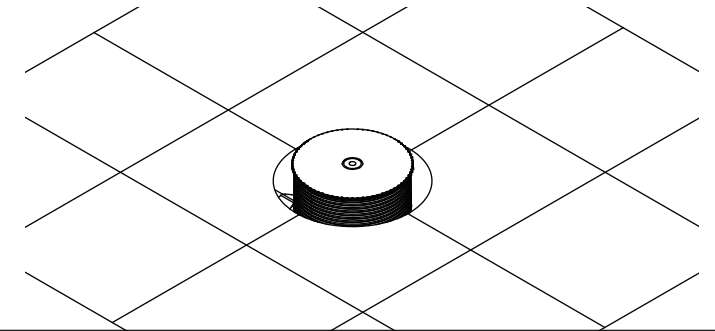
Make sure the bubble in the middle position of lever to ensure the valve installed in horizontal.



## Installation Method

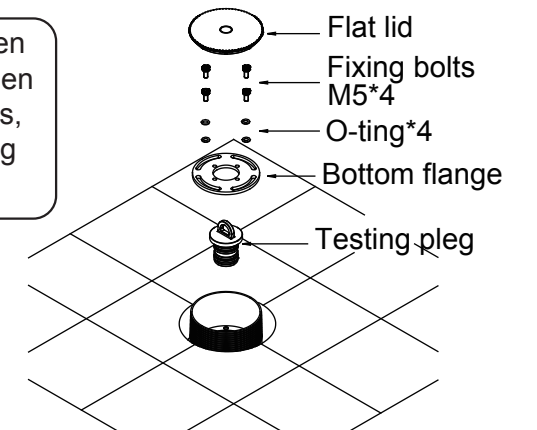
6

Decorating with upper bricks.



7

Take off the flat lid, loosen the fixing bolts M5\*4. Then take off the 4 pcs O-rings, bottom flange and testing plug by steps.



8

Cut the plastic socket to ensure it with same horizontal level as the brick face

