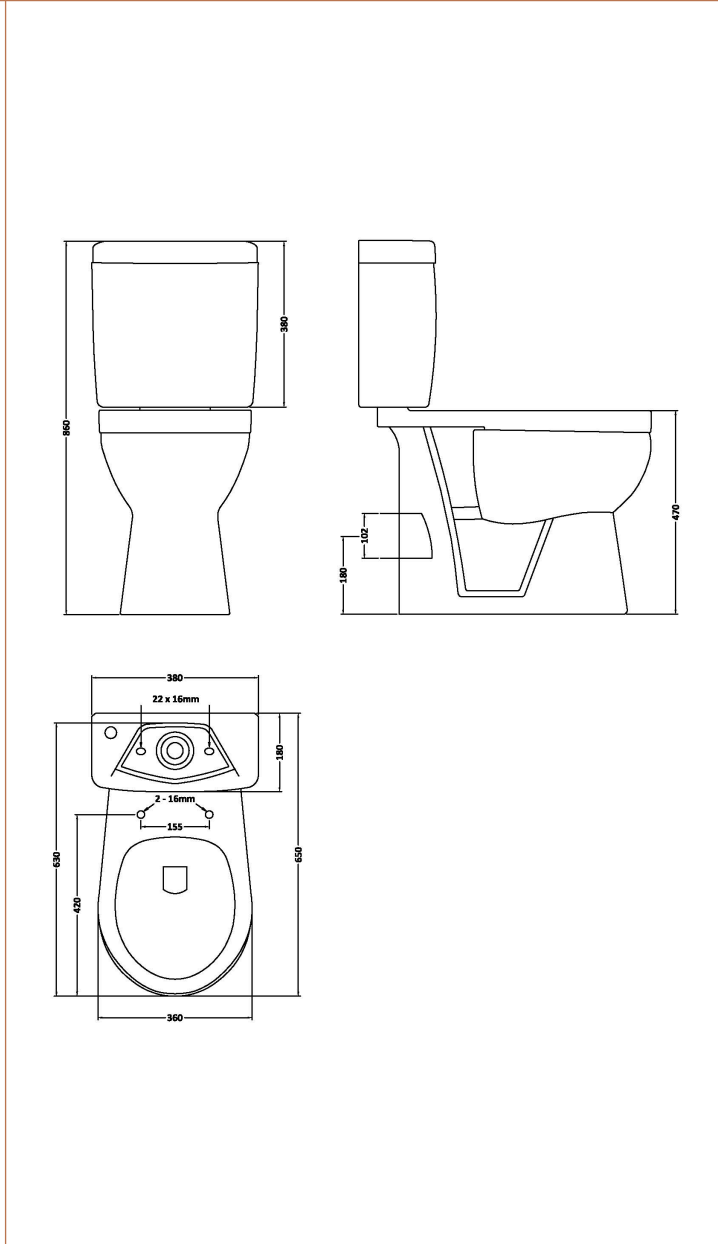


Sales Code: DOCMP100

Description: Doc M Pan Cistern & Seat



Product Dimensions		
Height (mm):		
Width (mm):		
Depth (mm):		
Nett Weight (kg):	36.5	
Packaging Dimensions		
Height (mm):	500	
Width (mm):	390	
Depth (mm):	690	
Gross Weight (kg):	36.5	
Packaging Data		
Box Colour:	Brown Cardboard Box - Printed	
Box Qty:	1	
Label Size:	100 x 50	
Label Colour:	White Label	
Label Qty:	2	
Outer Box Dimensions (If Applicable)		
Height (mm):		
Width (mm):		
Depth (mm):		
Gross Weight (kg):		
Barcode:	5055369041770	
Product Details		
Country of Origin:	China	
Fitting Instruction:	No	
Certification: CE & UKCA: Yes	WRAS: N/A	WRAS No: N/A
Product Material:	Vitreous China	
Fixing Supplied:	No	
Pans/Bidets: Trap Style: P Trap Includes Seat: Yes		
Seats: Seat Type: Round Material: Polypropylene		
Function: Soft Close Hinge Type: Bottom Fix		
Hinge Material: Plastic		
Cisterns: Operating Type: Push Button Fittings: Loose Single 6L		
Lever Type: Paddle Chrome Plater		
Basins: Tap Hole: Not Applicable Chain Stay Hole: Not Applicable		
Template: Not Applicable Waste Type Req: Not Applicable		
Overflow Inc: Yes Overflow Cover: Not Applicable		
Inner Bowl Depth (mm): N/A		