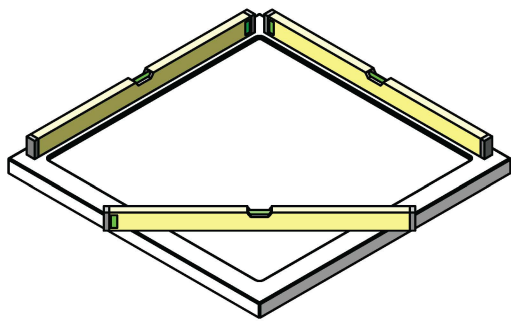
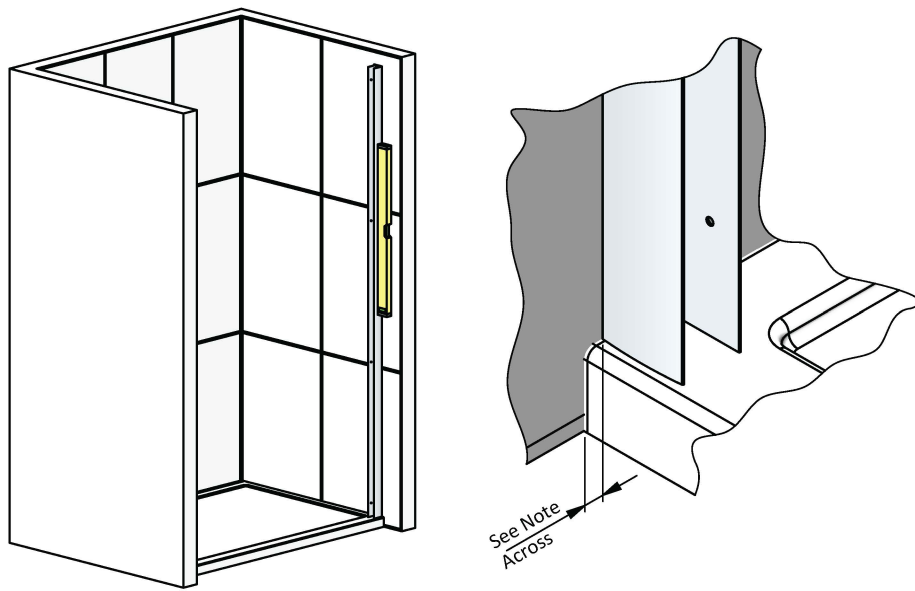


1



ENSURE THE TRAY IS LEVEL IN ALL PLANES.

2



OFFER THE FRAME ONTO THE TRAY FIRST. ENSURE WALL PROFILES WILL REACH BOTH WALLS.

SOME APPLICATIONS MAY REQUIRE MORE EXTENSION THAN THE ENCLOSURE WAS DESIGNED TO DO. IF THIS IS THE CASE YOU CAN PURCHASE EXTENSION PROFILES FROM YOUR SUPPLIER THAT WILL GIVE AN EXTRA 20mm PER SIDE.

IN AN IDEAL INSTALLATION
FOR ALCOVE FIT, SET ONE WALL PROFILE 10mm BACK FROM THE FRONT FACE OF THE TRAY. MAKE SURE IT IS TRUE WITH A SPIRIT LEVEL, THEN MARK THROUGH THE FIXING HOLES WITH A PENCIL. REMOVE PROFILE THEN DRILL AND PLUG THE WALL (ITEM 13). NOW FIX THE WALL PROFILE IN PLACE USING ITEMS 11, 14* & 15*.

* IF YOU HAVE THE OPTIONAL SCREW COVER PROFILES (ITEM 3) DO NOT USE ITEMS 14 & 15.

NOTE: IF FITTING THIS DOOR WITH A SIDE PANEL REFER TO THE SIDE PANEL INSTRUCTIONS WITHIN THE SIDE PANEL BOX.

3

CHOOSE RIGHT HAND OR LEFT HAND OPENING, ROTATE DOOR TO SUIT.

FIT THE HANDLE, THEN THE OPPOSITE WALL PROFILE ONTO THE END OF THE FRAME AND SLIDE THE ASSEMBLY INTO THE FIXED WALL PROFILE AT A SLIGHT ANGLE (AS SHOWN).

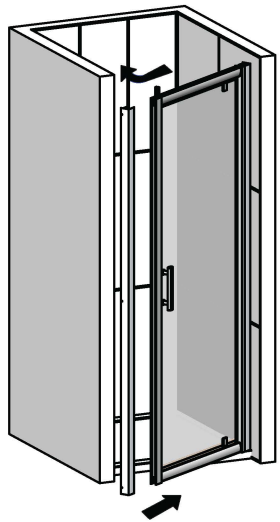
SWING THE ENCLOSURE INTO THE ALCOVE MAKING SURE THE BOTTOM TRACK IS NOW PARALLEL WITH THE FRONT EDGE OF THE TRAY. NOW SLIDE THE OPPOSITE WALL PROFILE OUT TO MEET THE WALL. WHEN THE OPPOSITE WALL PROFILE IS LEVEL** MARK THROUGH THE PRE-DRILLED HOLES WHERE IT WILL BE FIXED TO THE WALL.

MOVE THE ENCLOSURE ASIDE AND DRILL AND PLUG THE WALL WHERE MARKED. (USING ITEM 13).

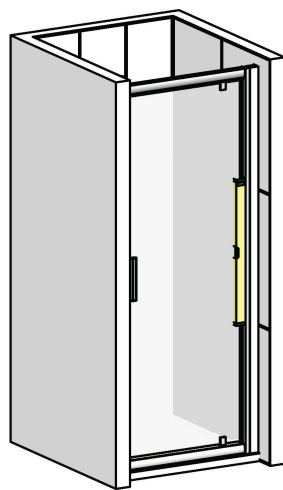
NOW MOVE THE ENCLOSURE BACK INTO POSITION AND FIX THE OPPOSITE WALL PROFILE TO THE WALL USING ITEM 11, 14* & 15*. (SEE NOTE 3 ON TROUBLE SHOOTING GUIDE ON BACK PAGE)

* IF YOU HAVE THE OPTIONAL SCREW COVER PROFILES (ITEM 3) DO NOT USE ITEMS 14 & 15.

**USE SPIRIT LEVEL



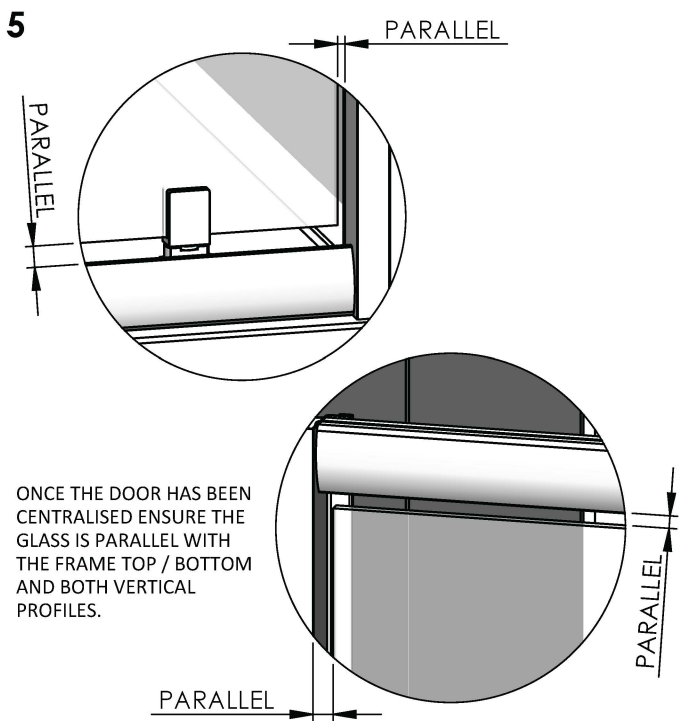
4



CENTRALISE THE DOOR WITHIN THE WALL PROFILES UNTIL THERE IS AN EQUAL AMOUNT OF FRAME IN EACH WALL PROFILE. ENSURE THE DOOR FRAME IS TRUE AND SQUARE** ON BOTH SIDES BEFORE FIXING IT IN PLACE.

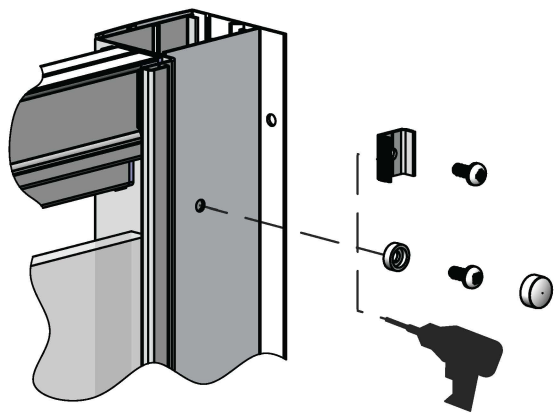
**USE SPIRIT LEVEL.

5



ONCE THE DOOR HAS BEEN CENTRALISED ENSURE THE GLASS IS PARALLEL WITH THE FRAME TOP / BOTTOM AND BOTH VERTICAL PROFILES.

6



WHEN THE FRAME IS READY TO BE FIXED, DRILL THROUGH THE PRE-DRILLED HOLES IN THE WALL PROFILE WITH A 3mm DRILL. (MAKE SURE YOU ONLY DRILL THROUGH ONE WALL THICKNESS THEN FIX THE FRAME WITH ITEMS 12, 14* & 15*)

* IF YOU HAVE THE OPTIONAL SCREW COVER PROFILES (ITEM 3) DO NOT USE ITEMS 14 & 15, FIT ITEM 4 UNDER THE SCREW.

7

SEAL STEP 1

SLIDE THE CONCEALED MAGNET (ITEM 16) INTO PROFILE. CHECK THE POLARITY ATTRACTS THE DOOR BEFORE INSERTING. FIT DOOR MAGNET (ITEM 17) TO DOOR GLASS.

IT IS TO BE LEVEL WITH THE TOP OF THE DOOR AND CUT TO LENGTH PRIOR TO FITTING.

ON AN 1850mm ENCLOSURE CUT TO 1721mm LONG.
ON A 1900mm ENCLOSURE CUT TO 1771mm LONG.

ONCE FITTED CHECK THE OPERATION OF THE DOOR. WHEN CLOSED THE MAGNET SHOULD BE ATTRACTED ALONG ITS FULL LENGTH. **IF NOT**, SLACKEN THE WALL PROFILE FIXING SCREWS AND SLIGHTLY ADJUST THEM UNTIL IT DOES. (RETIGHTEN ALL SCREWS)

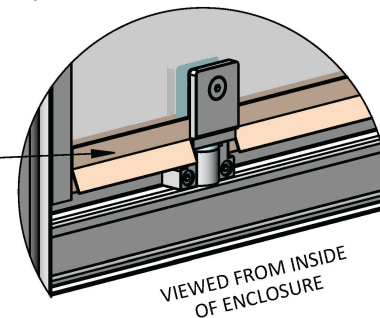
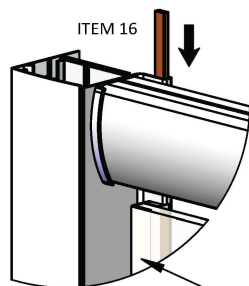
SEAL STEP 2

FIT THE DOOR BOTTOM SEALS (ITEMS 19 & 20). THEY SHOULD BUTT UP TO THE HINGE WITH THE DEFLECTION BLADE TO THE INSIDE OF THE ENCLOSURE.

CUT TO LENGTH FIRST BEFORE FITTING. THE SIZES ARE AS FOLLOWS:

SHORT SEAL = 77mm LONG

LONG SEAL - 700 DOOR = 425mm, 760mm DOOR = 485mm
800 DOOR = 525mm, 900 DOOR = 625mm.



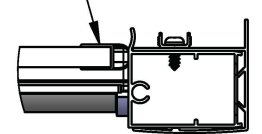
VIEWED FROM INSIDE OF ENCLOSURE

SEAL STEP 3

FIT 'D' SHAPED VERTICAL SEAL (ITEM 18) TO THE BACK EDGE OF GLASS. IT SHOULD BE LEVEL WITH THE TOP OF THE DOOR.

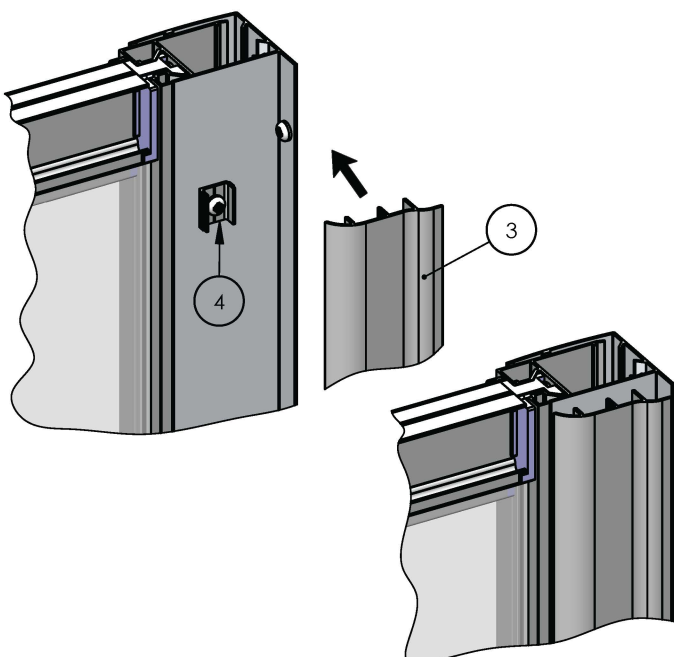
CUT TO LENGTH FIRST BEFORE FITTING. THE SIZE IS AS FOLLOWS:

1850mm ENCLOSURE = CUT TO 1746mm LONG.
1900mm ENCLOSURE = CUT TO 1796mm LONG.



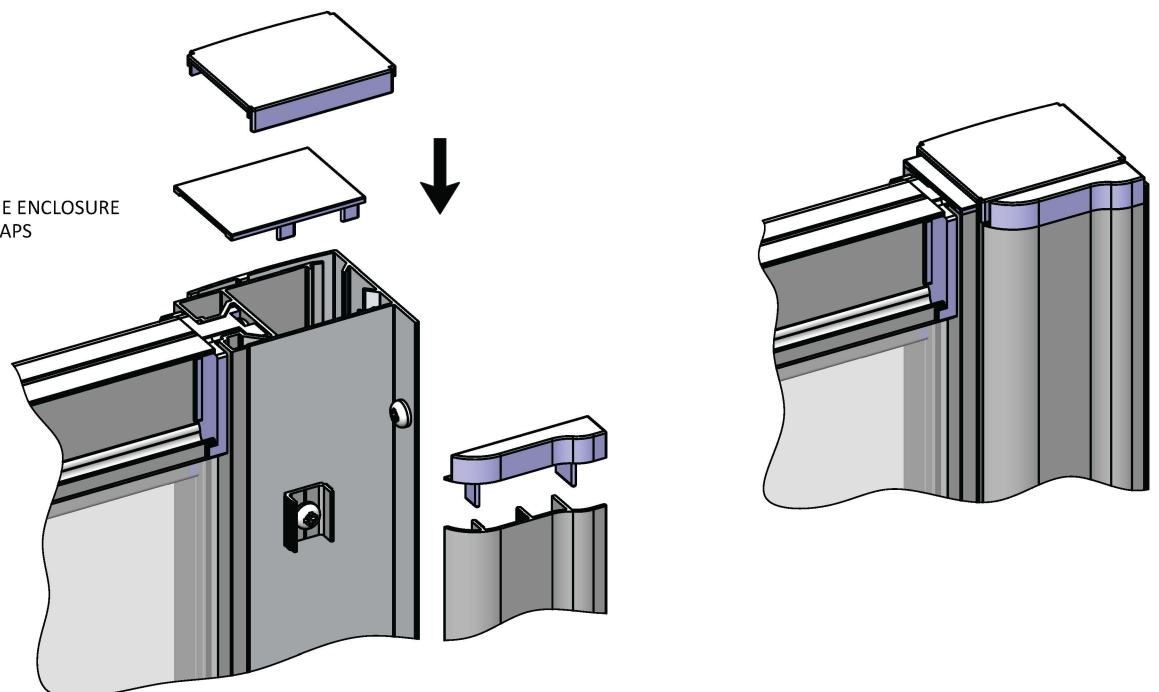
VIEWED FROM THE TOP

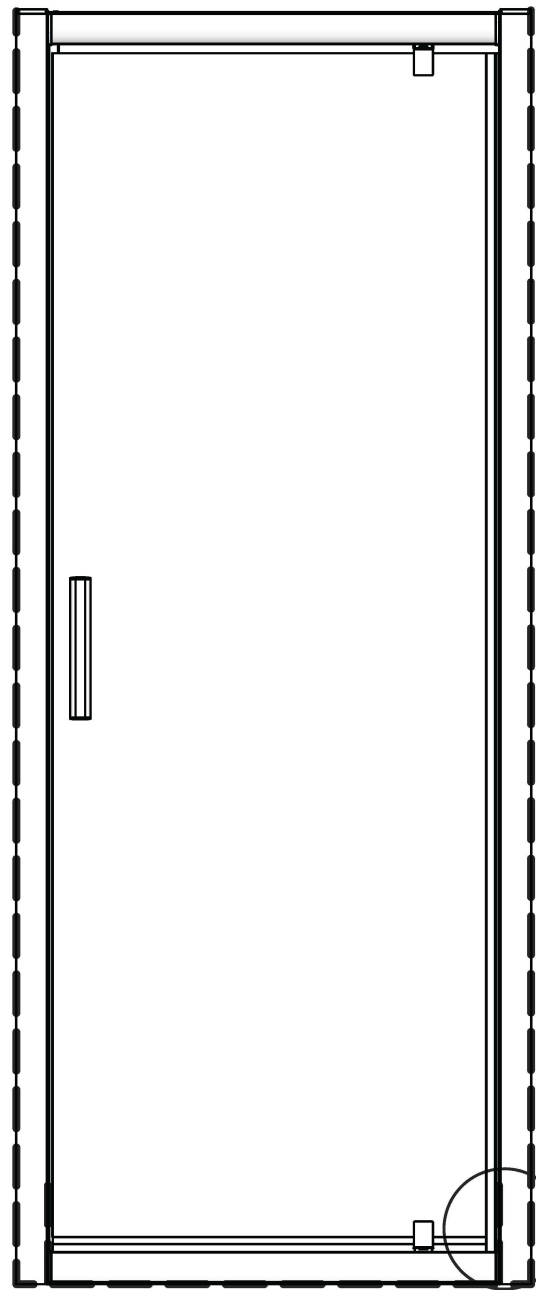
8 IF THE ENCLOSURE HAS THE **OPTIONAL** SCREW COVER PROFILES (ITEM 3) PUSH FIT THEM ONTO THE SCREW COVER PROFILE FIXING CLIPS (ITEM 4)



9

FIT THE ENCLOSURE TOP CAPS





EXTERNALLY SILICONE SEAL THE WALL PROFILES WHERE THEY MEET THE WALL AND THE BOTTOM PROFILE WHERE IT MEETS THE TRAY. ALL IN A CONTINUOUS BEAD.

ALSO SILICONE PLASTIC MOULDING AND 150mm HIGH AS SHOWN IN DETAILED VIEW BELOW.

DO NOT SILICONE INSIDE THE ENCLOSURE

ALLOW THE SILICONE AT LEAST 24 HOURS TO FULLY CURE.

AFTERCARE - ENSURE YOU CLEAN YOUR PRODUCT USING A MILD DETERGENT DILUTED IN WATER, REMOVING ANY RESIDUE WITH A SOFT DAMP CLOTH.

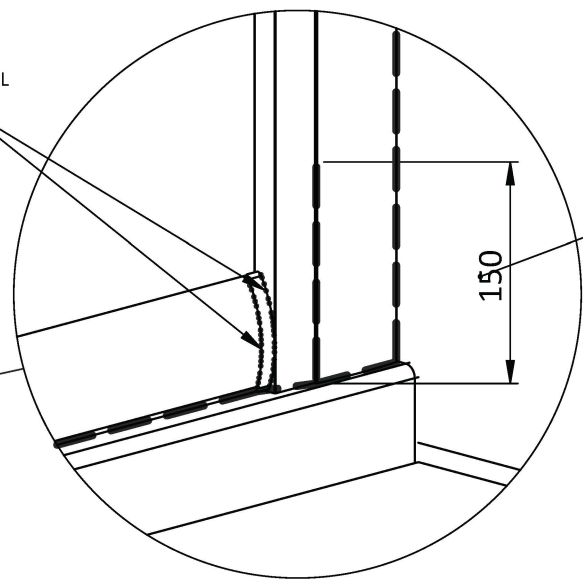
MAINTENANCE - ENSURE MOVING PARTS ARE FREE FROM ANY DEBRIS OR SOAP BUILD UP.

SHOWER ENCLOSURE WITH WHEELS - THE WHEELS MUST ROTATE FREELY AND THE SPRING LOADED MECHANISM IN THE BOTTOM WHEELS MUST OPERATE WITHOUT INTERFERENCE.

TROUBLE SHOOTING GUIDE

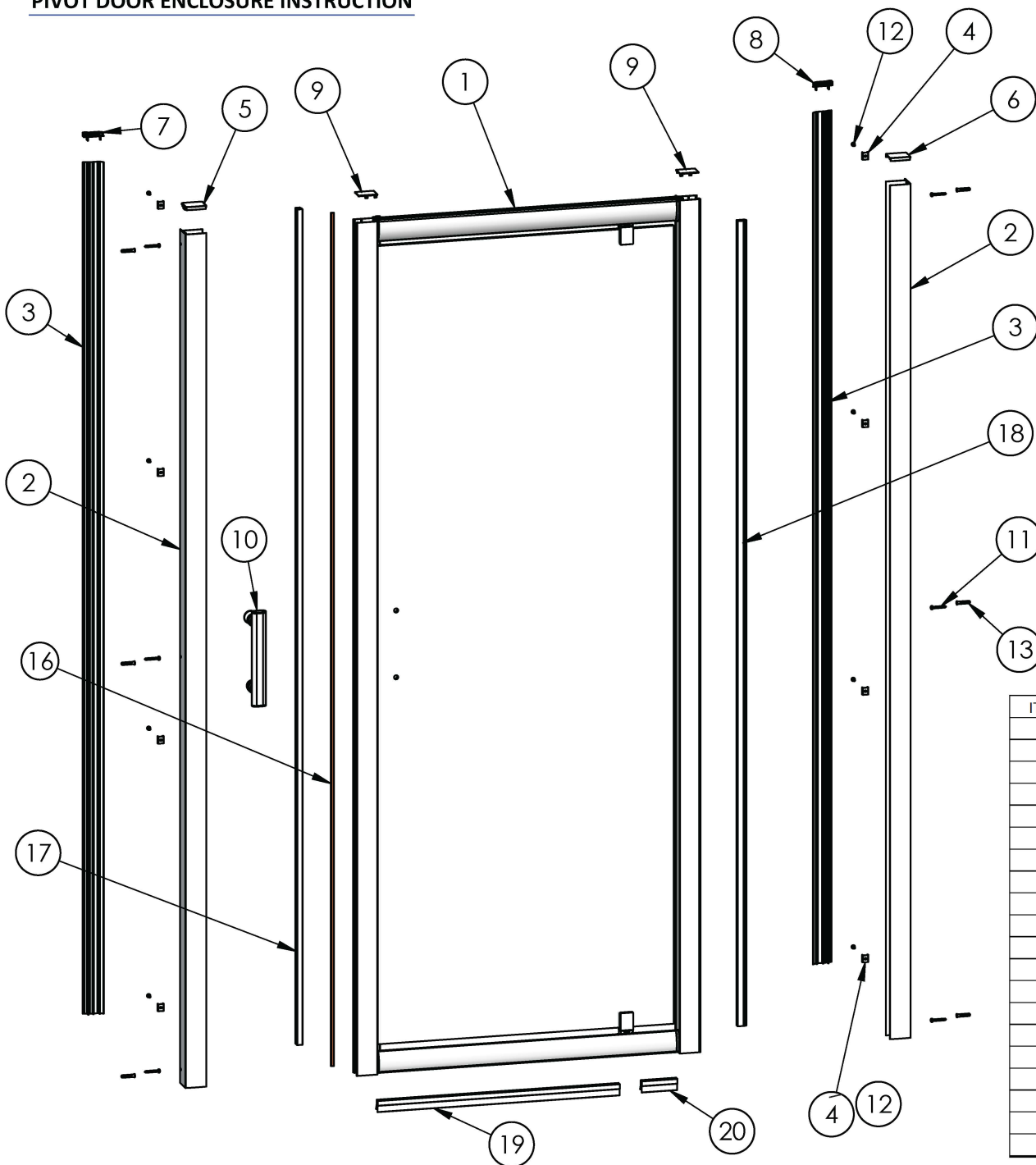
1. IS THE TRAY LEVEL? (SEE STEP 1).
2. HAVE YOU COMPLETED STEP 2 CORRECTLY?
3. ARE THE WALL PROFILES PLUMB VERTICALLY? (SEE STEP 2) AND LEVEL WITH EACH OTHER? IF THE WALL PROFILES ARE NOT LEVEL WITH EACH OTHER THE DOOR WILL NOT SHUT AS IT SHOULD. THE MAGNET WILL NOT ATTRACT ALONG ITS FULL LENGTH AS IT ISN'T PARALLEL TO THE FRAME.
4. IS THE FRAME SQUARE AND IS THE DOOR PARALLEL ALL ROUND WITHIN ITS FRAME?
5. DO THE DOOR MAGNETS ATTRACT TO EACH OTHER? (SEE STEP 7).
6. DO THE FINISHED TRAY MEASUREMENTS COMPLY WITH THE ADJUSTMENTS LISTED IN THE PRODUCT SPECIFICATION?
7. WHEN CONSIDERING THE LENGTH OF THE TOP TRACK ALSO CONSIDER THE VERTICAL PROFILES THAT ARE SECURED TO IT WHICH INCREASE ITS LENGTH.
8. ONCE INSTALLED LEAVE THE ENCLOSURE DOORS IN THE CLOSED POSITION WHEN NOT IN USE AS MAGNET STRENGTH WILL INCREASE OVER THE FIRST WEEK.

SILICONE THE PLASTIC MOULDING WITH AS SMALL A BEAD AS POSSIBLE.



WHERE THE FRAME VERTICAL PROFILE MEETS THE WALL PROFILE.

PIVOT DOOR ENCLOSURE INSTRUCTION



UNPACK THE BOX AND ENSURE ALL COMPONENTS ARE PRESENT.

NO REFUNDS OR REFITTING COST WILL BE GIVEN IF INCOMPLETE OR DAMAGED GOODS ARE FITTED.

THE TOUGHENED SAFETY GLASS SHOULD BE HANDLED WITH CARE AS IMPACTS WILL DAMAGE THE GLASS OR ENCLOSURE.

FIT THE SHOWER TRAY AS PER THE MANUFACTURERS INSTRUCTIONS.

NOTE: IF THE TRAY ISN'T TRUE AND LEVEL, IT MUST BE RECTIFIED BEFORE SILICONING AROUND THE TOP EDGE OF THE TRAY WHERE IT MEETS THE TILES. ALLOW THE SILICONE TO DRY BEFORE FITTING THE ENCLOSURE.

THE ENCLOSURE INSTALLATION IS RECOMMENDED AS A TWO MAN OPERATION.

TOOLS REQUIRED:

- POWER DRILL - 3mm DRILL BIT - 6mm MASONRY DRILL BIT
- CROSS HEAD SCREW DRIVER - TAPE MEASURE - PENCIL
- SILICONE GUN WITH SANITARY GRADE SEALANT - SPIRIT LEVEL
- RUBBER HEAD Mallet.

ITEM	DESCRIPTION	Notes	QTY
1	PIVOT DOOR SUB ASSEMBLY		1
2	WALL PROFILE		2
3	SCREW COVER PROFILE	OPTIONAL ON SOME MODELS	2
4	SCREW COVER PROFILE FIXING CLIPS	OPTIONAL ON SOME MODELS	8
5	WALL PROFILE TOP CAP LH		1
6	WALL PROFILE TOP CAP RH		1
7	SCREW COVER PROFILE CAP LH	OPTIONAL ON SOME MODELS	1
8	SCREW COVER PROFILE CAP RH	OPTIONAL ON SOME MODELS	1
9	RECTANGULAR CAP		2
10	HANDLE SUB ASSEMBLY		1
11	SCREW DIA 3.9mm x 30mm PAN HEAD	FOR FIXING TO WALL	6
12	SCREW DIA 3.9mm x 10mm PAN HEAD		8
13	RAWLPLUG		6
14	SCREW CUP (NOT SHOWN)	ONLY USED WHEN NO ITEM 3 & 4	14
15	SCREW CHROME CAP (NOT SHOWN)	ONLY USED WHEN NO ITEM 3 & 4	14
16	CONCEALED MAGNET		1
17	DOOR MAGNET		1
18	DOOR VERTICAL 'D' SEAL (HINGE SIDE)		1
19	DOOR BOTTOM SEAL (LONG)		1
20	DOOR BOTTOM SEAL (SHORT)		1